

CONSTRUCTION

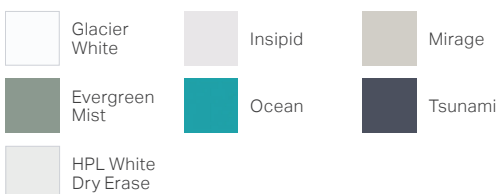
- Top constructed of 1-1/8" particleboard with thermally fused melamine surface on both sides
- Thermally fused 3mm PVC edge banding
- 14-gauge steel telescoping legs with black or gray powder coat finish
- Lever-activated pneumatic air cylinder raises or lowers desk from 28" to 42" tabletop heights
- Integrated magnets provide secure connection of podium to either side of the desk
- 2-1/2" locking swivel casters for easy mobility

FINISHES

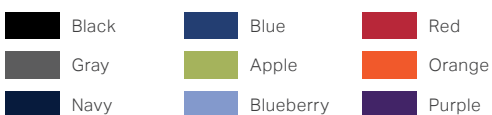
LAMINATES Available with matching or colored edge band



DRY ERASE LAMINATES Available with colored edge band



OPTIONAL EDGE BAND COLORS



METAL FRAME OPTIONS



DIMENSIONS

Model #	Width	Depth	Height
371306	60"	30"	28"-42"

WEIGHT CAPACITY

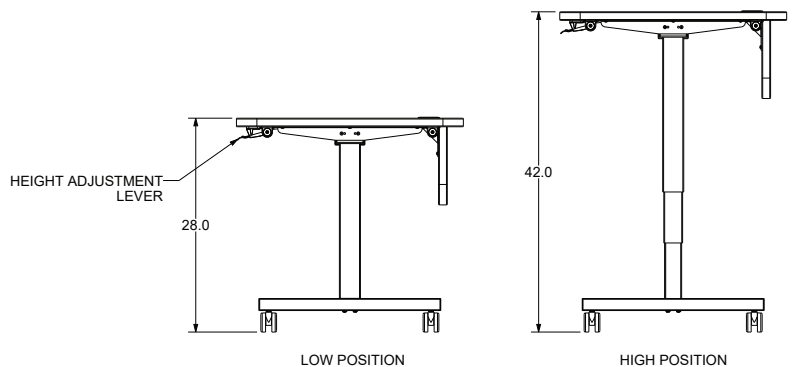
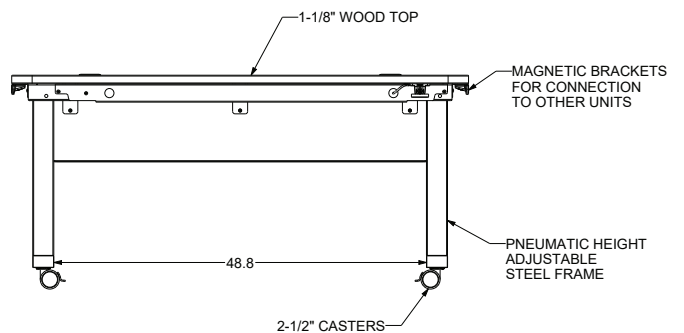
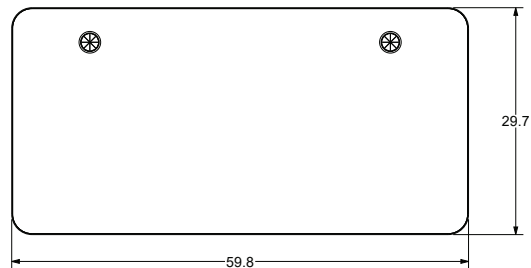
Max load at fixed position (Static Load) = 145 lbs.
Max load for gas lift operation (Dynamic Load) = 30 lbs.

WARRANTY

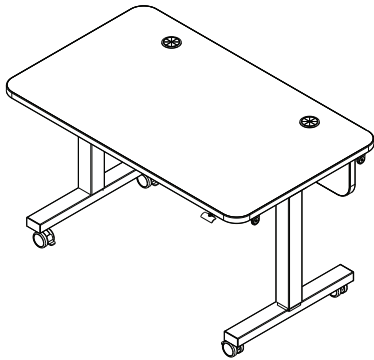
10 Year Limited

CERTIFICATIONS

Worksurfaces are UL Greenguard Gold certified



This specification information is provided for general reference only and is subject to change without notice. While every effort has been made to ensure accuracy, Marco makes no warranties, express or implied, regarding the completeness or correctness of the details presented. Users should always verify specifications with the latest product documentation before making any purchasing decisions.



CONSTRUCTION

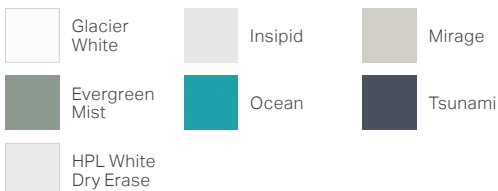
- Top constructed of 1-1/8" particleboard with thermally fused melamine surface on both sides
- Thermally fused 3mm PVC edge banding
- 14-gauge steel telescoping legs with black or gray powder coat finish
- Lever-activated pneumatic air cylinder raises or lowers desk from 28" to 42" tabletop heights
- Integrated magnets provide secure connection of podium to either side of the desk
- 2-1/2" locking swivel casters for easy mobility

FINISHES

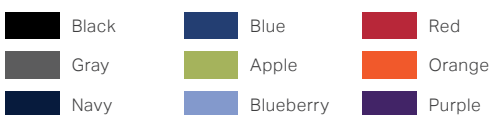
LAMINATES Available with matching or colored edge band



DRY ERASE LAMINATES Available with colored edge band



OPTIONAL EDGE BAND COLORS



METAL FRAME OPTIONS



DIMENSIONS

Model #	Width	Depth	Height
371313	48"	30"	28"-42"

WEIGHT CAPACITY

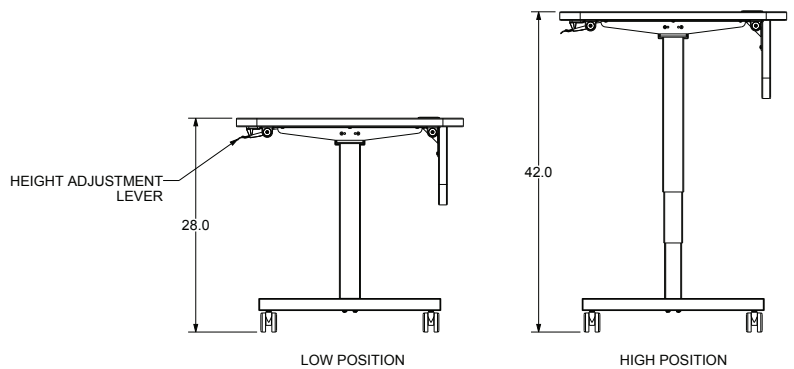
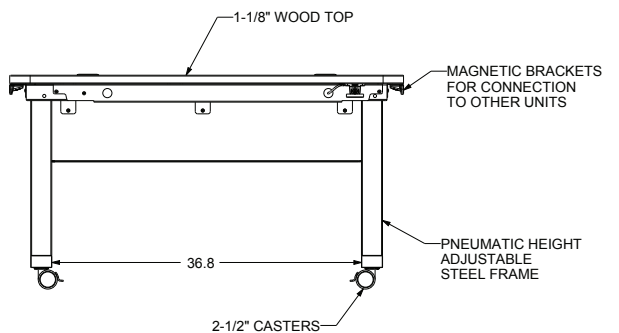
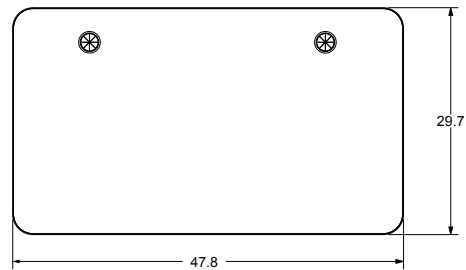
Max load at fixed position (Static Load) = 145 lbs.
Max load for gas lift operation (Dynamic Load) = 30 lbs.

WARRANTY

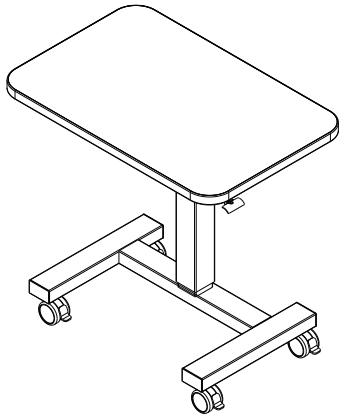
10 Year Limited

CERTIFICATIONS

Worksurfaces are UL Greenguard Gold certified



This specification information is provided for general reference only and is subject to change without notice. While every effort has been made to ensure accuracy, Marco makes no warranties, express or implied, regarding the completeness or correctness of the details presented. Users should always verify specifications with the latest product documentation before making any purchasing decisions.



CONSTRUCTION

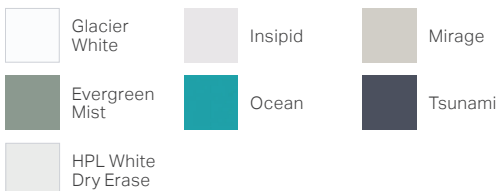
- Top constructed of 1-1/8" particleboard with thermally fused melamine surface on both sides
- Thermally fused 3mm PVC edge banding
- 14-gauge steel telescoping leg with black or gray powder coat finish
- Lever-activated pneumatic air cylinder raises or lowers podium from 28" to 42" tabletop heights
- Integrated magnets provide secure connection of podium to either side of the desk
- 2-1/2" locking swivel casters for easy mobility

FINISHES

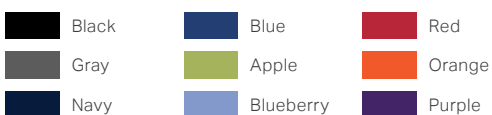
LAMINATES Available with matching or colored edge band



DRY ERASE LAMINATES Available with colored edge band



OPTIONAL EDGE BAND COLORS



METAL FRAME OPTIONS



DIMENSIONS

Model #	Width	Depth	Height
372104	30"	19.5"	28"-42"

WEIGHT CAPACITY

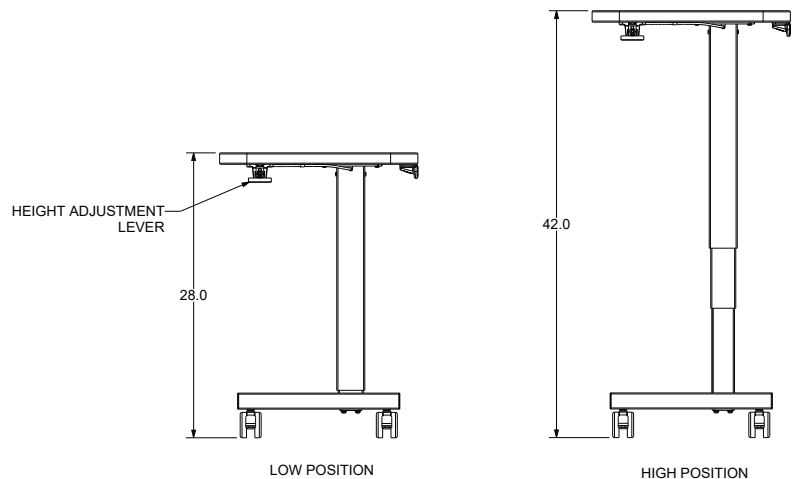
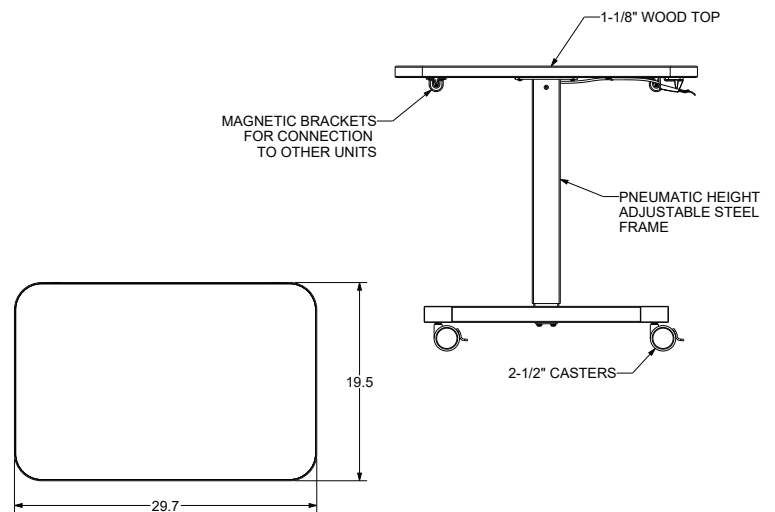
Max load at fixed position (Static Load) = 90 lbs.
Max load for gas lift operation (Dynamic Load) = 17 lbs.

WARRANTY

10 Year Limited

CERTIFICATIONS

Worksurfaces are UL Greenguard Gold certified



This specification information is provided for general reference only and is subject to change without notice. While every effort has been made to ensure accuracy, Marco makes no warranties, express or implied, regarding the completeness or correctness of the details presented. Users should always verify specifications with the latest product documentation before making any purchasing decisions.

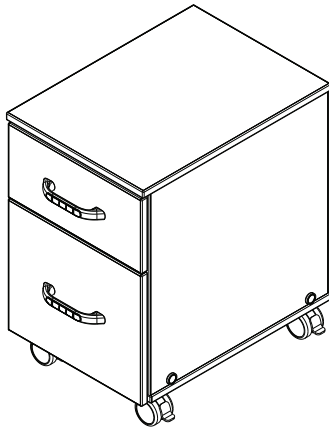


MARCO™

Specification Sheet

CUE™ COLLECTION

2-Drawer Mobile Cabinet



CONSTRUCTION

- Constructed of ¾" particleboard with thermally fused melamine surface on both sides
- Thermally fused 3mm PVC edge banding
- 1 file drawer and 1 box drawer
- Hardened plastic drawer handles
- 2-½" locking swivel casters for easy mobility

FINISHES

LAMINATES



PLASTIC DOOR HANDLE COLORS



WARRANTY

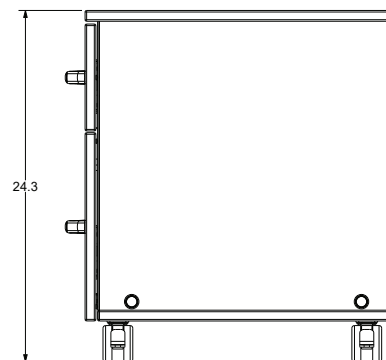
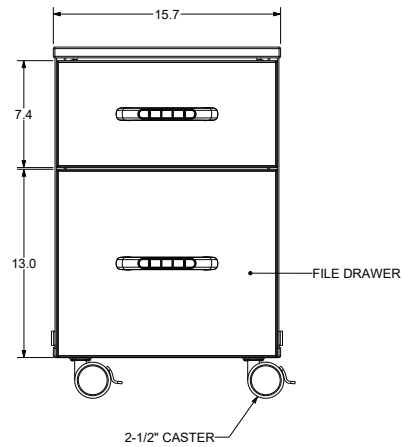
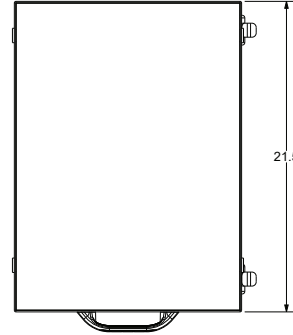
10 Year Limited

CERTIFICATIONS

Worksurfaces are UL Greenguard Gold certified

DIMENSIONS

Model #	Width	Depth	Height
371708	16"	21.5"	24.3"



This specification information is provided for general reference only and is subject to change without notice. While every effort has been made to ensure accuracy, Marco makes no warranties, express or implied, regarding the completeness or correctness of the details presented. Users should always verify specifications with the latest product documentation before making any purchasing decisions.

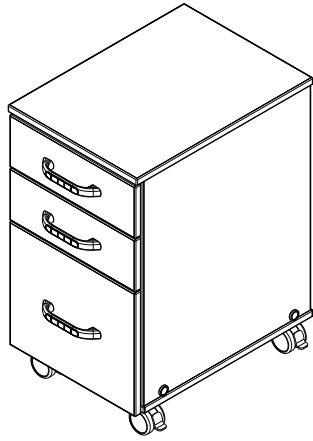


MARCO™

Specification Sheet

CUE™ COLLECTION

3-Drawer Mobile Cabinet

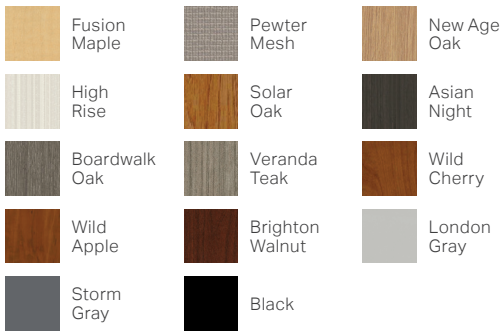


CONSTRUCTION

- Constructed of ¾" particleboard with thermally fused melamine surface on both sides
- Thermally fused 3mm PVC edge banding
- 1 file drawer and 2 box drawers
- Hardened plastic drawer handles
- 2-½" locking swivel casters for easy mobility

FINISHES

LAMINATES



PLASTIC DOOR HANDLE COLORS



Note: To fit 3-drawer cabinet under the pneumatic desk, the desk height must be 31.5" or higher.

WARRANTY

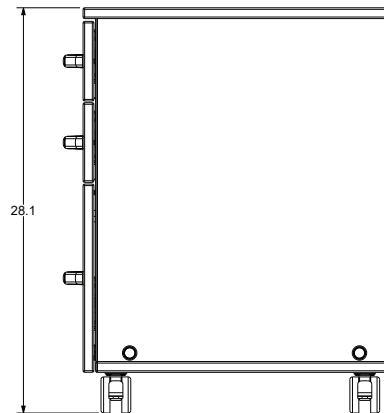
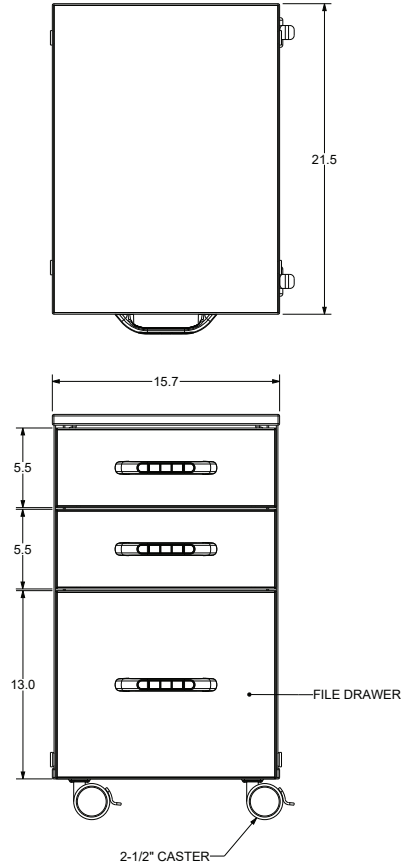
10 Year Limited

CERTIFICATIONS

Worksurfaces are UL Greenguard Gold certified

DIMENSIONS

Model #	Width	Depth	Height
371710	16"	21.5"	28"



This specification information is provided for general reference only and is subject to change without notice. While every effort has been made to ensure accuracy, Marco makes no warranties, express or implied, regarding the completeness or correctness of the details presented. Users should always verify specifications with the latest product documentation before making any purchasing decisions.



MARCO™

Specification Sheet

CUE™ COLLECTION

Podium Cabinet



CONSTRUCTION

- Constructed of ¾" particleboard with thermally fused melamine surface on both sides
- Thermally fused 3mm PVC edge banding
- European style door hinges
- Hardened plastic door handles

FINISHES

LAMINATES



PLASTIC DOOR HANDLE COLORS



WARRANTY

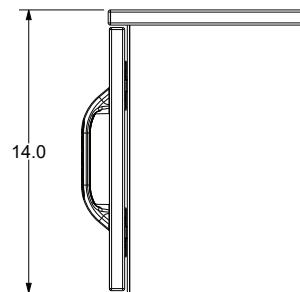
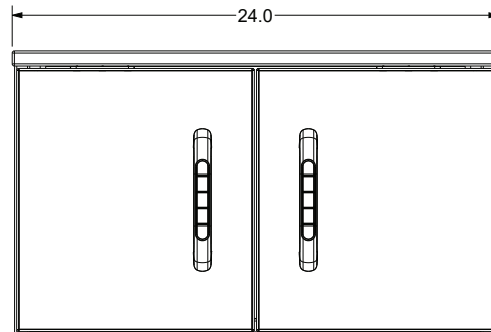
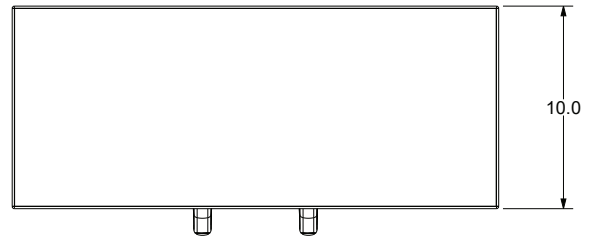
10 Year Limited

CERTIFICATIONS

Worksurfaces are UL Greenguard Gold certified

DIMENSIONS

Model #	Width	Depth	Height
371709	24"	10"	14"



This specification information is provided for general reference only and is subject to change without notice. While every effort has been made to ensure accuracy, Marco makes no warranties, express or implied, regarding the completeness or correctness of the details presented. Users should always verify specifications with the latest product documentation before making any purchasing decisions.