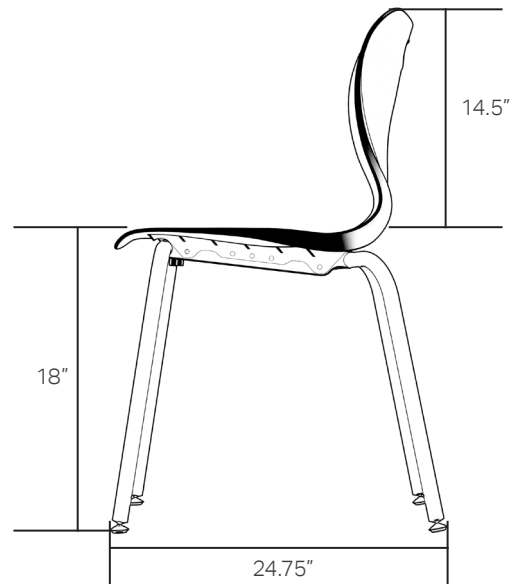
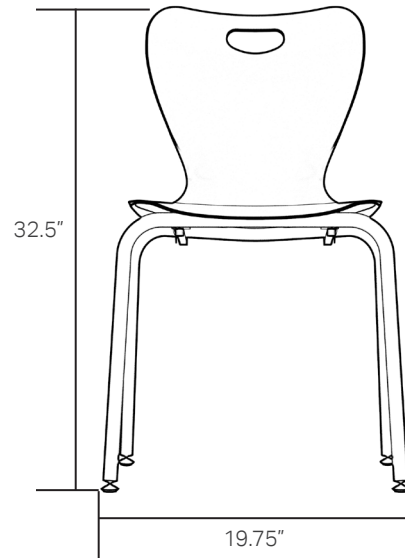




| Model | Description | Width | Depth | Height |
|------------|-------------------------|-------|-------|--------|
| N101U-18CR | 18" Nova Stacking Chair | 19.75 | 24.75 | 32.5 |

FEATURES

- One-piece molded polypropylene shell
- Frame constructed of 1" diameter 16-gauge tubular steel with chrome finish
- Legs are fully welded to two channel brackets for superior strength and durability
- Nickel-plated, self-leveling nylon glides that reduce scuffing and marring
- Available in 18" seat height
- Stacks 8 high
- Rated for use up to 300 lbs.
- Sold only in quantities of 46

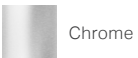


FINISHES

STANDARD SEAT COLORS



LEG COLOR



WARRANTY

10 Year Limited

This specification information is provided for general reference only and is subject to change without notice. While every effort has been made to ensure accuracy, Marco makes no warranties, express or implied, regarding the completeness or correctness of the details presented. Users should always verify specifications with the latest product documentation before making any purchasing decisions.