

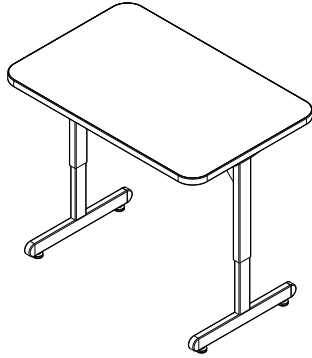


# MARCO™

## Specification Sheet

# T-LEG DESKS & TABLES

## 36" x 24" Rectangle



### CONSTRUCTION

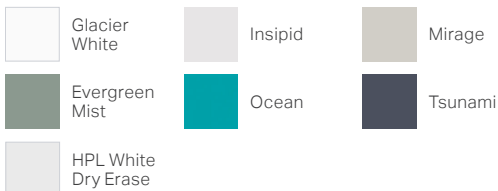
- Top constructed of 1-1/8" particleboard with thermally fused melamine surface on both sides
- Thermally fused 3mm PVC edge banding
- Pre-drilled holes for easy leg assembly
- Upper leg frame with black or gray powder coat finish
- Lower adjustable legs are chrome-plated and tapped at 1" intervals for adjustment from 22" to 30" tabletop heights
- Adjustable nylon glides allow for easy leveling

### FINISHES

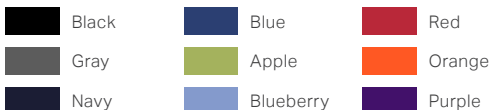
**LAMINATES** Available with matching or colored edge band



**DRY ERASE LAMINATES** Available with colored edge band



**OPTIONAL EDGE BAND COLORS**

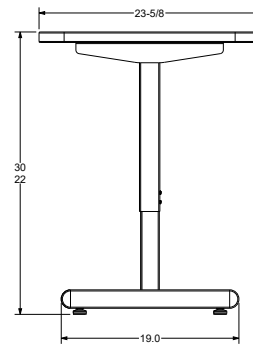
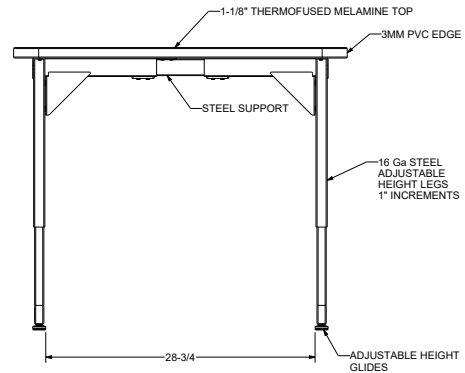


**METAL FRAME**



### DIMENSIONS

Model #	Width	Depth	Height
42240530	36"	24"	22"–30"



### WARRANTY

10 Year Limited

### CERTIFICATIONS

Worksurfaces are UL Greenguard Gold certified

This specification information is provided for general reference only and is subject to change without notice. While every effort has been made to ensure accuracy, Marco makes no warranties, express or implied, regarding the completeness or correctness of the details presented. Users should always verify specifications with the latest product documentation before making any purchasing decisions.

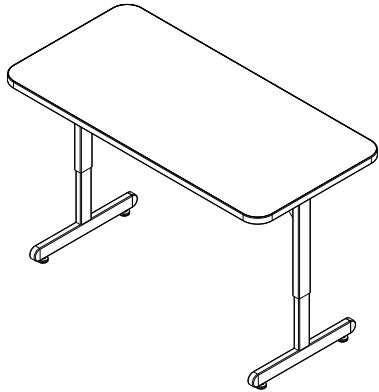


# MARCO™

## Specification Sheet

# T-LEG DESKS & TABLES

## 48" x 24" Rectangle



### CONSTRUCTION

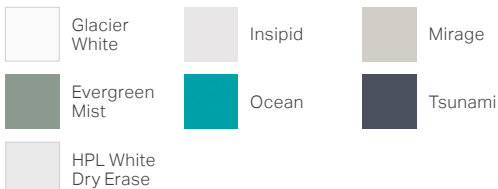
- Top constructed of 1-1/8" particleboard with thermally fused melamine surface on both sides
- Thermally fused 3mm PVC edge banding
- Pre-drilled holes for easy leg assembly
- Upper leg frame with black or gray powder coat finish
- Lower adjustable legs are chrome-plated and tapped at 1" intervals for adjustment from 22" to 30" tabletop heights
- Adjustable nylon glides allow for easy leveling

### FINISHES

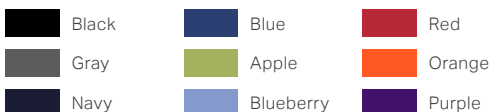
**LAMINATES** Available with matching or colored edge band



**DRY ERASE LAMINATES** Available with colored edge band



### OPTIONAL EDGE BAND COLORS

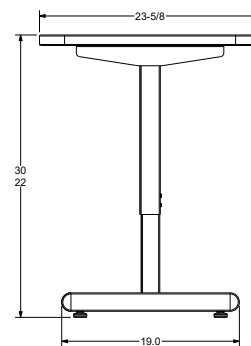
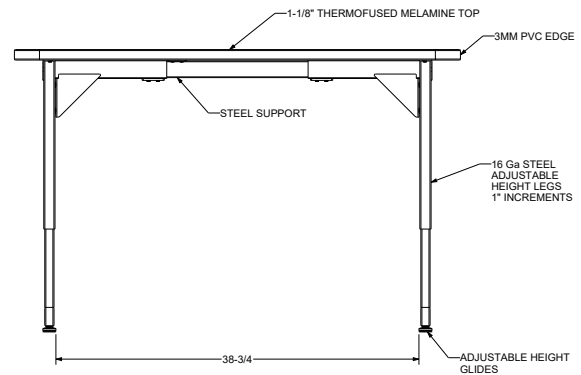


### METAL FRAME



### DIMENSIONS

Model #	Width	Depth	Height
42260530	48"	24"	22"-30"



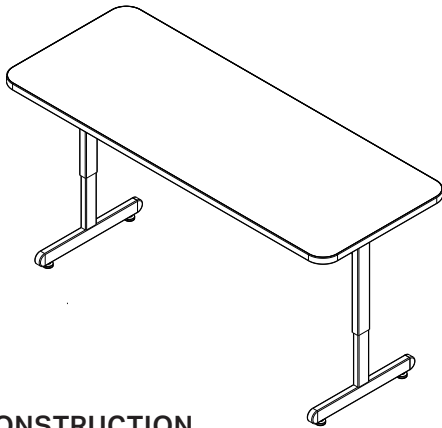
### WARRANTY

10 Year Limited

### CERTIFICATIONS

Worksurfaces are UL Greenguard Gold certified

This specification information is provided for general reference only and is subject to change without notice. While every effort has been made to ensure accuracy, Marco makes no warranties, express or implied, regarding the completeness or correctness of the details presented. Users should always verify specifications with the latest product documentation before making any purchasing decisions.



### CONSTRUCTION

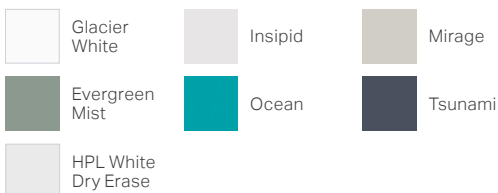
- Top constructed of 1-1/8" particleboard with thermally fused melamine surface on both sides
- Thermally fused 3mm PVC edge banding
- Pre-drilled holes for easy leg assembly
- Upper leg frame with black or gray powder coat finish
- Lower adjustable legs are chrome-plated and tapped at 1" intervals for adjustment from 22" to 30" tabletop heights
- Adjustable nylon glides allow for easy leveling

### FINISHES

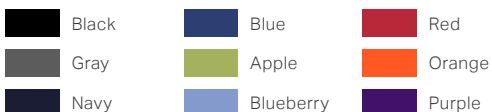
**LAMINATES** Available with matching or colored edge band



**DRY ERASE LAMINATES** Available with colored edge band



### OPTIONAL EDGE BAND COLORS

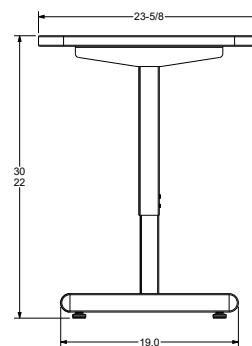
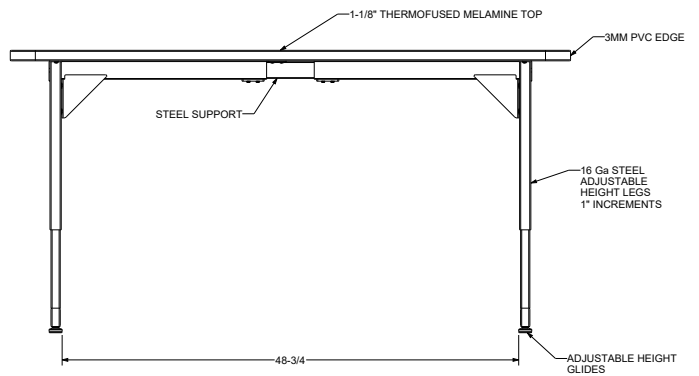
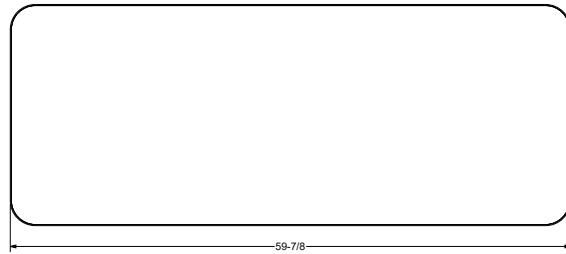


### METAL FRAME



### DIMENSIONS

Model #	Width	Depth	Height
42280530	60"	24"	22"–30"



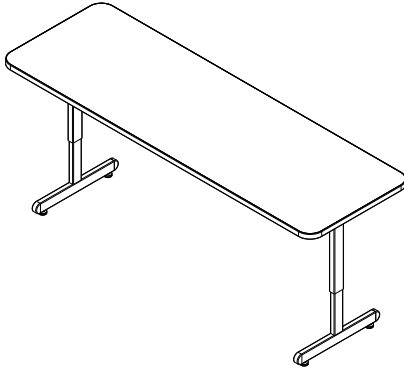
### WARRANTY

10 Year Limited

### CERTIFICATIONS

Worksurfaces are UL Greenguard Gold certified

This specification information is provided for general reference only and is subject to change without notice. While every effort has been made to ensure accuracy, Marco makes no warranties, express or implied, regarding the completeness or correctness of the details presented. Users should always verify specifications with the latest product documentation before making any purchasing decisions.



### CONSTRUCTION

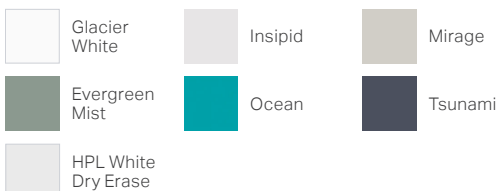
- Top constructed of 1-1/8" particleboard with thermally fused melamine surface on both sides
- Thermally fused 3mm PVC edge banding
- Pre-drilled holes for easy leg assembly
- Upper leg frame with black or gray powder coat finish
- Lower adjustable legs are chrome-plated and tapped at 1" intervals for adjustment from 22" to 30" tabletop heights
- Adjustable nylon glides allow for easy leveling

### FINISHES

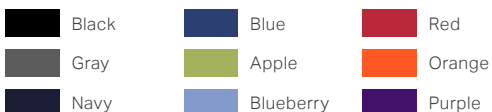
**LAMINATES** Available with matching or colored edge band



**DRY ERASE LAMINATES** Available with colored edge band



### OPTIONAL EDGE BAND COLORS

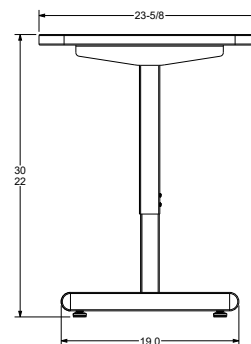
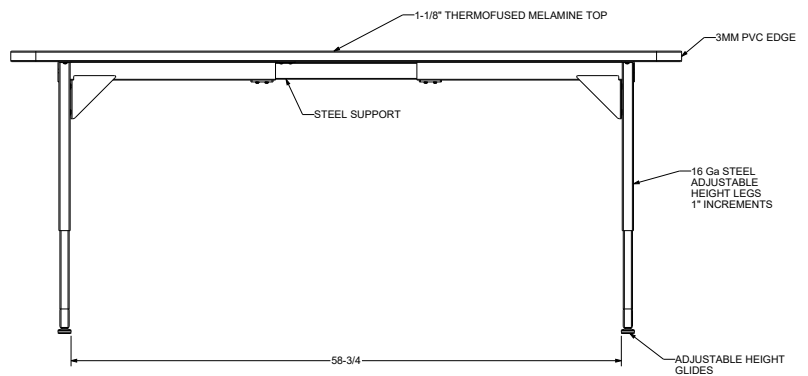


### METAL FRAME



### DIMENSIONS

Model #	Width	Depth	Height
42300530	72"	24"	22"–30"



### WARRANTY

10 Year Limited

### CERTIFICATIONS

Worksurfaces are UL Greenguard Gold certified

This specification information is provided for general reference only and is subject to change without notice. While every effort has been made to ensure accuracy, Marco makes no warranties, express or implied, regarding the completeness or correctness of the details presented. Users should always verify specifications with the latest product documentation before making any purchasing decisions.

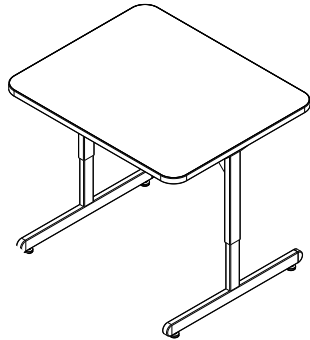


# MARCO™

## Specification Sheet

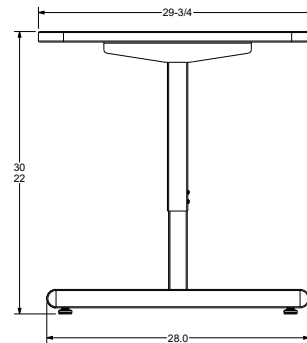
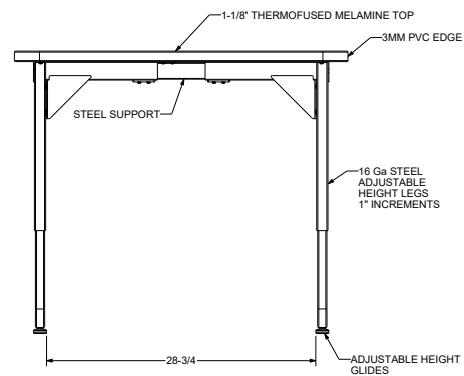
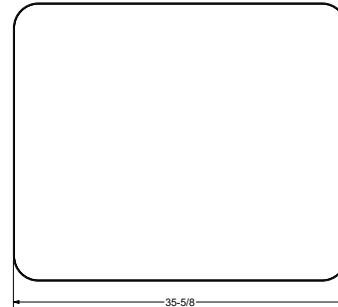
# T-LEG DESKS & TABLES

## 36" x 30" Rectangle



### DIMENSIONS

Model #	Width	Depth	Height
42350530	36"	30"	22"-30"

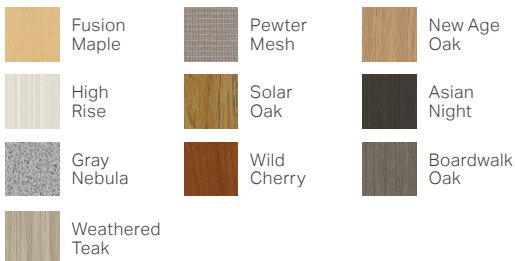


### CONSTRUCTION

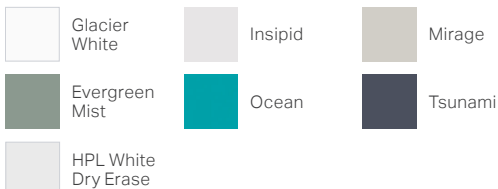
- Top constructed of 1-1/8" particleboard with thermally fused melamine surface on both sides
- Thermally fused 3mm PVC edge banding
- Pre-drilled holes for easy leg assembly
- Upper leg frame with black or gray powder coat finish
- Lower adjustable legs are chrome-plated and tapped at 1" intervals for adjustment from 22" to 30" tabletop heights
- Adjustable nylon glides allow for easy leveling

### FINISHES

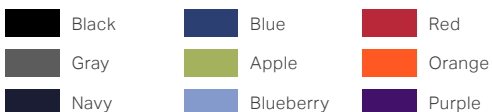
**LAMINATES** Available with matching or colored edge band



**DRY ERASE LAMINATES** Available with colored edge band



### OPTIONAL EDGE BAND COLORS



### METAL FRAME



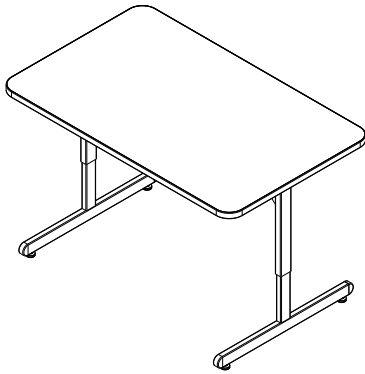
### WARRANTY

10 Year Limited

### CERTIFICATIONS

Worksurfaces are UL Greenguard Gold certified

This specification information is provided for general reference only and is subject to change without notice. While every effort has been made to ensure accuracy, Marco makes no warranties, express or implied, regarding the completeness or correctness of the details presented. Users should always verify specifications with the latest product documentation before making any purchasing decisions.

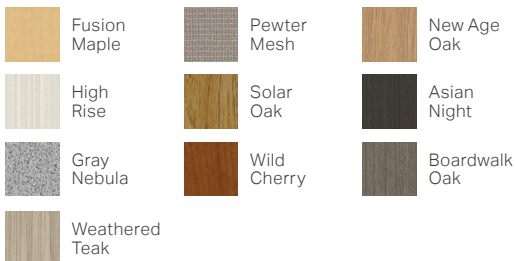


### CONSTRUCTION

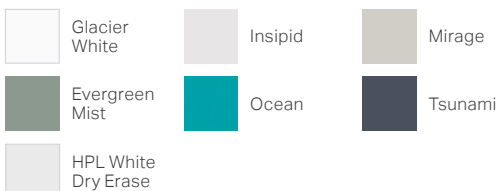
- Top constructed of 1-1/8" particleboard with thermally fused melamine surface on both sides
- Thermally fused 3mm PVC edge banding
- Pre-drilled holes for easy leg assembly
- Upper leg frame with black or gray powder coat finish
- Lower adjustable legs are chrome-plated and tapped at 1" intervals for adjustment from 22" to 30" tabletop heights
- Adjustable nylon glides allow for easy leveling

### FINISHES

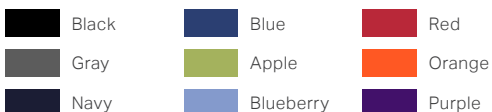
**LAMINATES** Available with matching or colored edge band



**DRY ERASE LAMINATES** Available with colored edge band



### OPTIONAL EDGE BAND COLORS

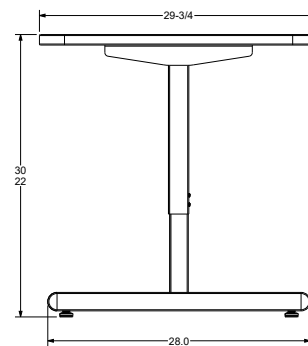
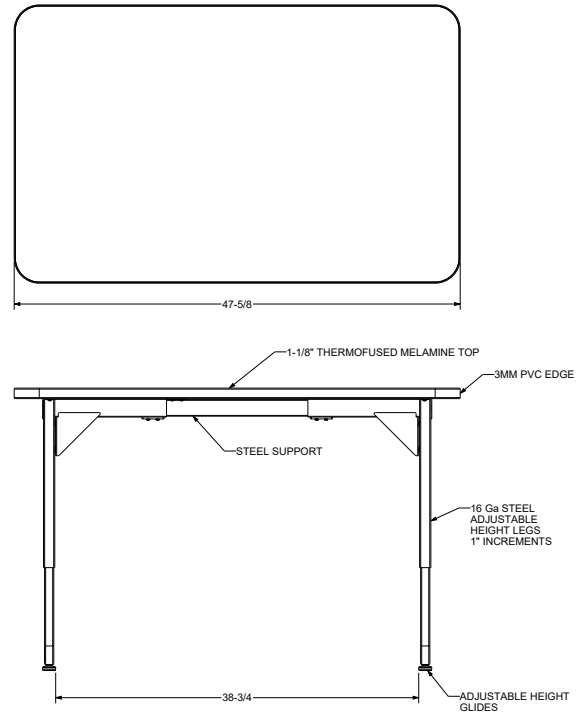


### METAL FRAME



### DIMENSIONS

Model #	Width	Depth	Height
42360530	48"	30"	22"–30"



### WARRANTY

10 Year Limited

### CERTIFICATIONS

Worksurfaces are UL Greenguard Gold certified

This specification information is provided for general reference only and is subject to change without notice. While every effort has been made to ensure accuracy, Marco makes no warranties, express or implied, regarding the completeness or correctness of the details presented. Users should always verify specifications with the latest product documentation before making any purchasing decisions.

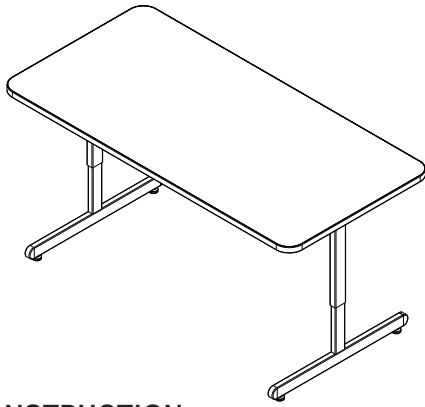


# MARCO™

## Specification Sheet

# T-LEG DESKS & TABLES

## 60" x 30" Rectangle



### CONSTRUCTION

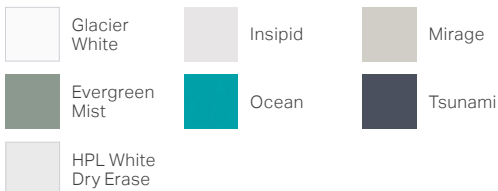
- Top constructed of 1-1/8" particleboard with thermally fused melamine surface on both sides
- Thermally fused 3mm PVC edge banding
- Pre-drilled holes for easy leg assembly
- Upper leg frame with black or gray powder coat finish
- Lower adjustable legs are chrome-plated and tapped at 1" intervals for adjustment from 22" to 30" tabletop heights
- Adjustable nylon glides allow for easy leveling

### FINISHES

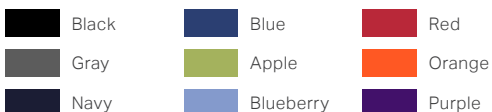
**LAMINATES** Available with matching or colored edge band



**DRY ERASE LAMINATES** Available with colored edge band



### OPTIONAL EDGE BAND COLORS

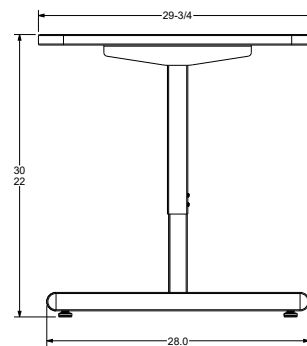
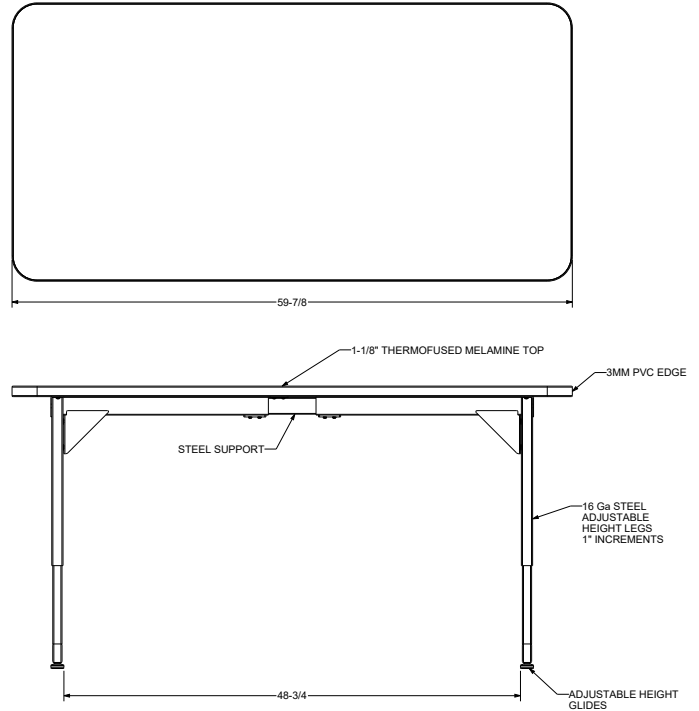


### METAL FRAME



### DIMENSIONS

Model #	Width	Depth	Height
42370530	60"	30"	22"–30"



### WARRANTY

10 Year Limited

### CERTIFICATIONS

Worksurfaces are UL Greenguard Gold certified

This specification information is provided for general reference only and is subject to change without notice. While every effort has been made to ensure accuracy, Marco makes no warranties, express or implied, regarding the completeness or correctness of the details presented. Users should always verify specifications with the latest product documentation before making any purchasing decisions.

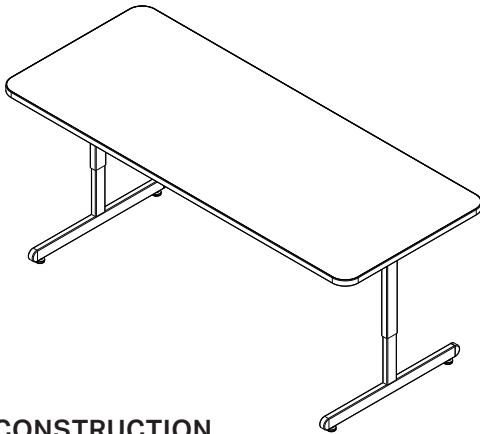


# MARCO™

## Specification Sheet

# T-LEG DESKS & TABLES

## 72" x 30" Rectangle

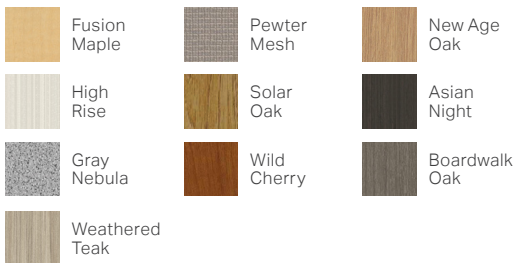


### CONSTRUCTION

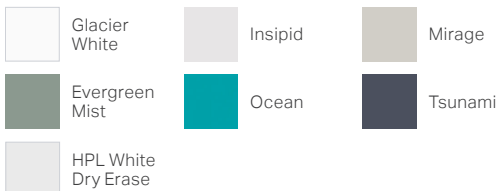
- Top constructed of 1-1/8" particleboard with thermally fused melamine surface on both sides
- Thermally fused 3mm PVC edge banding
- Pre-drilled holes for easy leg assembly
- Upper leg frame with black or gray powder coat finish
- Lower adjustable legs are chrome-plated and tapped at 1" intervals for adjustment from 22" to 30" tabletop heights
- Adjustable nylon glides allow for easy leveling

### FINISHES

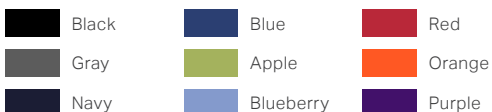
**LAMINATES** Available with matching or colored edge band



**DRY ERASE LAMINATES** Available with colored edge band



### OPTIONAL EDGE BAND COLORS

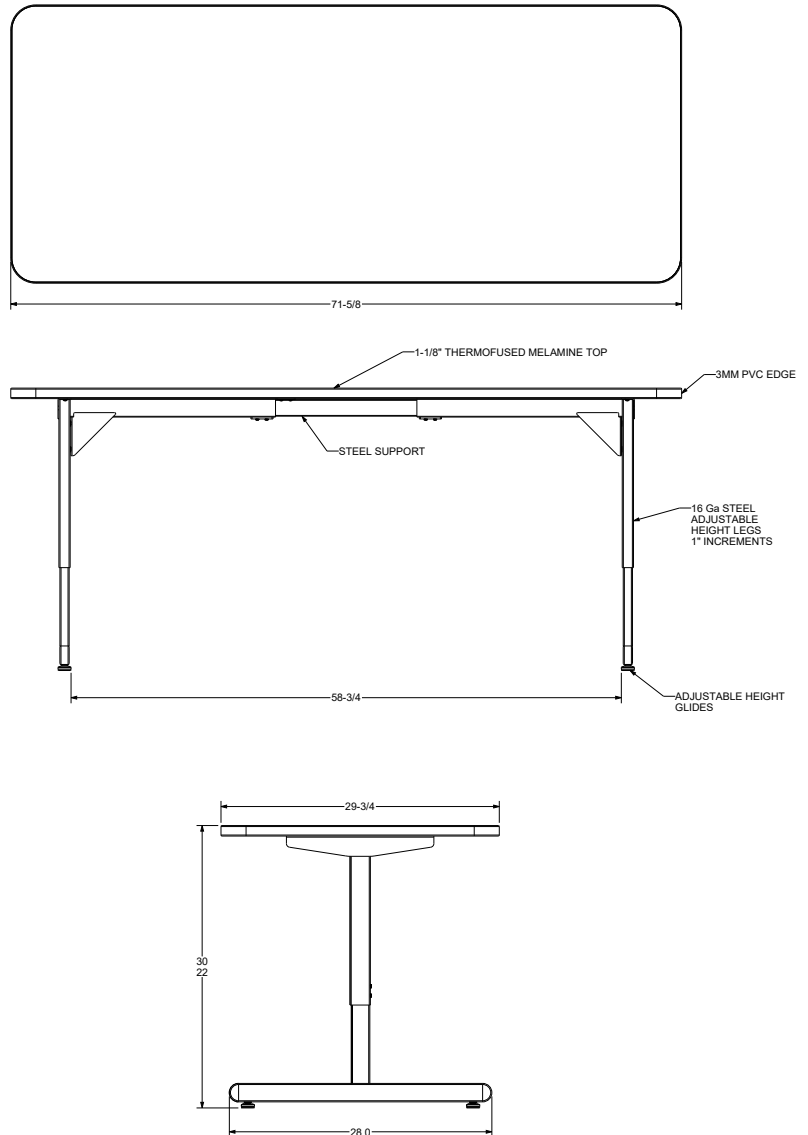


### METAL FRAME



### DIMENSIONS

Model #	Width	Depth	Height
42380530	72"	30"	22"-30"



### WARRANTY

10 Year Limited

### CERTIFICATIONS

Worksurfaces are UL Greenguard Gold certified

This specification information is provided for general reference only and is subject to change without notice. While every effort has been made to ensure accuracy, Marco makes no warranties, express or implied, regarding the completeness or correctness of the details presented. Users should always verify specifications with the latest product documentation before making any purchasing decisions.

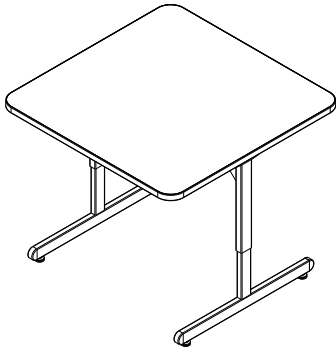


# MARCO™

## Specification Sheet

# T-LEG DESKS & TABLES

## 36" x 36" Rectangle



### CONSTRUCTION

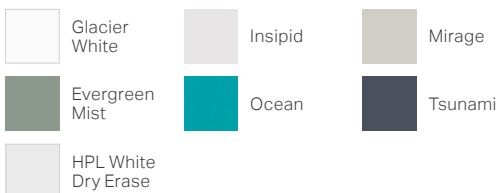
- Top constructed of 1-1/8" particleboard with thermally fused melamine surface on both sides
- Thermally fused 3mm PVC edge banding
- Pre-drilled holes for easy leg assembly
- Upper leg frame with black or gray powder coat finish
- Lower adjustable legs are chrome-plated and tapped at 1" intervals for adjustment from 22" to 30" tabletop heights
- Adjustable nylon glides allow for easy leveling

### FINISHES

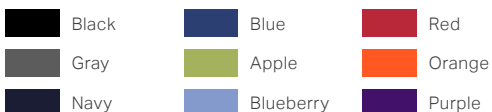
**LAMINATES** Available with matching or colored edge band



**DRY ERASE LAMINATES** Available with colored edge band



**OPTIONAL EDGE BAND COLORS**

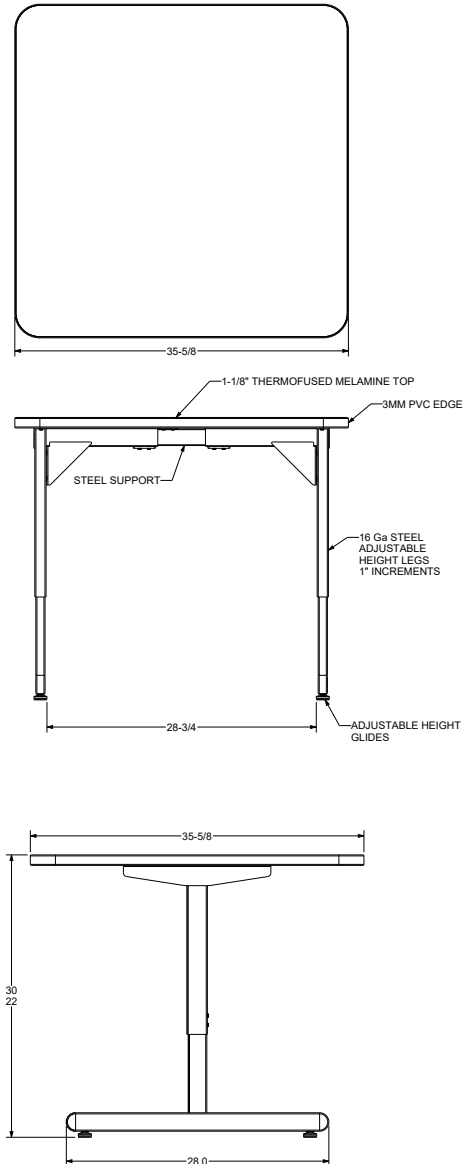


**METAL FRAME**



### DIMENSIONS

Model #	Width	Depth	Height
42120530	36"	36"	22"-30"



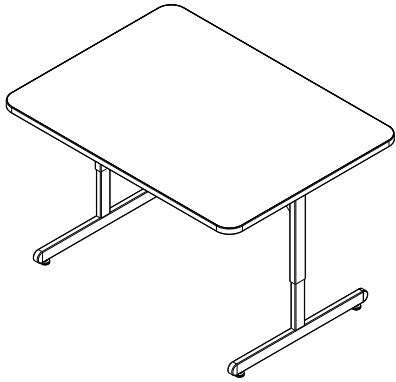
### WARRANTY

10 Year Limited

### CERTIFICATIONS

Worksurfaces are UL Greenguard Gold certified

This specification information is provided for general reference only and is subject to change without notice. While every effort has been made to ensure accuracy, Marco makes no warranties, express or implied, regarding the completeness or correctness of the details presented. Users should always verify specifications with the latest product documentation before making any purchasing decisions.



### CONSTRUCTION

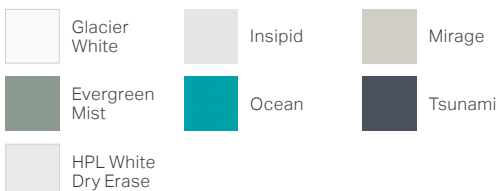
- Top constructed of 1-1/8" particleboard with thermally fused melamine surface on both sides
- Thermally fused 3mm PVC edge banding
- Pre-drilled holes for easy leg assembly
- Upper leg frame with black or gray powder coat finish
- Lower adjustable legs are chrome-plated and tapped at 1" intervals for adjustment from 22" to 30" tabletop heights
- Adjustable nylon glides allow for easy leveling

### FINISHES

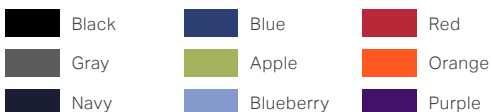
**LAMINATES** Available with matching or colored edge band



**DRY ERASE LAMINATES** Available with colored edge band



### OPTIONAL EDGE BAND COLORS

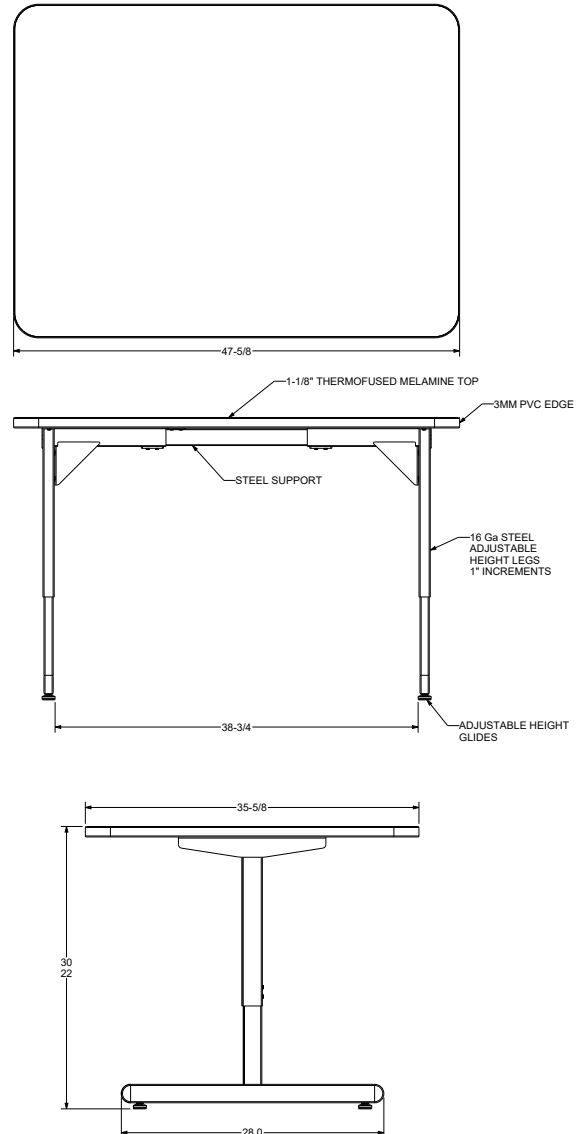


### METAL FRAME



### DIMENSIONS

Model #	Width	Depth	Height
42460530	46"	36"	22"–30"



### WARRANTY

10 Year Limited

### CERTIFICATIONS

Worksurfaces are UL Greenguard Gold certified

This specification information is provided for general reference only and is subject to change without notice. While every effort has been made to ensure accuracy, Marco makes no warranties, express or implied, regarding the completeness or correctness of the details presented. Users should always verify specifications with the latest product documentation before making any purchasing decisions.

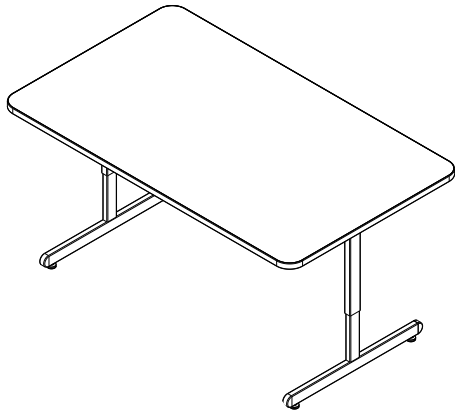


# MARCO™

## Specification Sheet

# T-LEG DESKS & TABLES

## 60" x 36" Rectangle

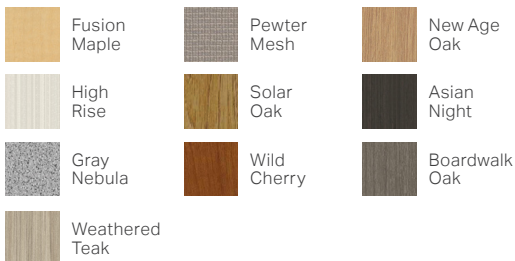


### CONSTRUCTION

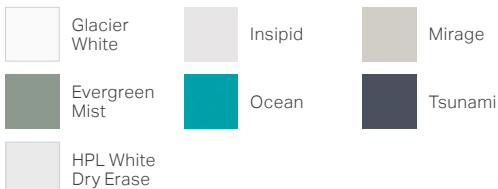
- Top constructed of 1-1/8" particleboard with thermally fused melamine surface on both sides
- Thermally fused 3mm PVC edge banding
- Pre-drilled holes for easy leg assembly
- Upper leg frame with black or gray powder coat finish
- Lower adjustable legs are chrome-plated and tapped at 1" intervals for adjustment from 22" to 30" tabletop heights
- Adjustable nylon glides allow for easy leveling

### FINISHES

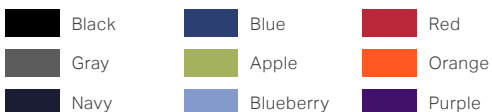
**LAMINATES** Available with matching or colored edge band



**DRY ERASE LAMINATES** Available with colored edge band



**OPTIONAL EDGE BAND COLORS**

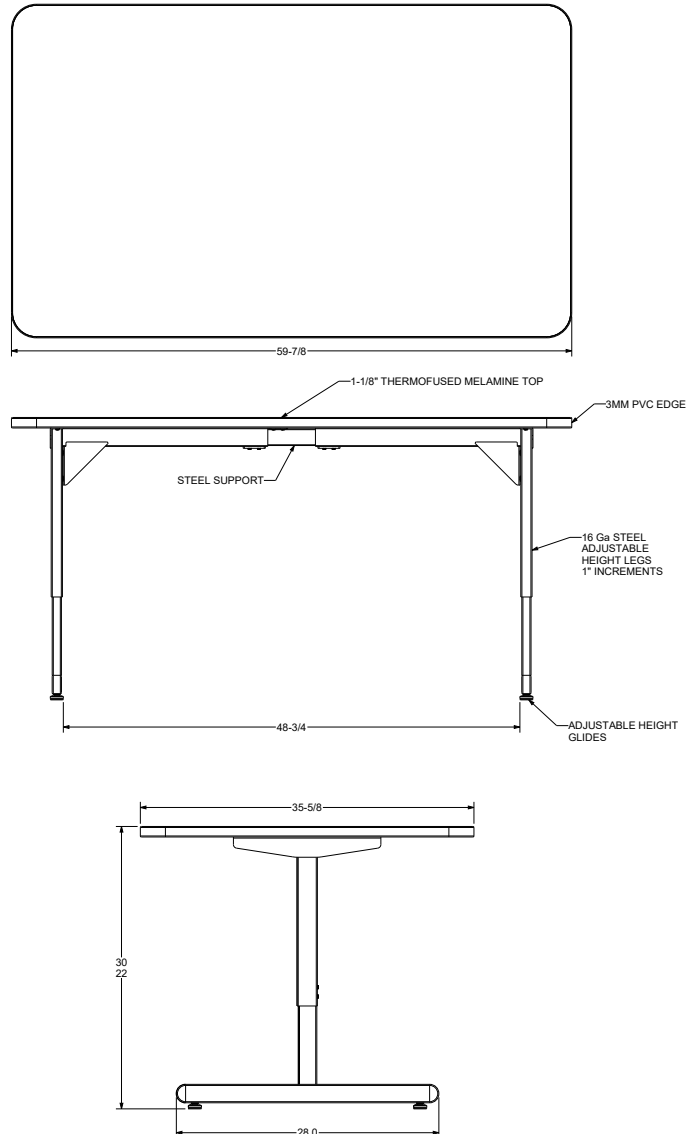


**METAL FRAME**



### DIMENSIONS

Model #	Width	Depth	Height
42470530	60"	36"	22"–30"



### WARRANTY

10 Year Limited

### CERTIFICATIONS

Worksurfaces are UL Greenguard Gold certified

This specification information is provided for general reference only and is subject to change without notice. While every effort has been made to ensure accuracy, Marco makes no warranties, express or implied, regarding the completeness or correctness of the details presented. Users should always verify specifications with the latest product documentation before making any purchasing decisions.

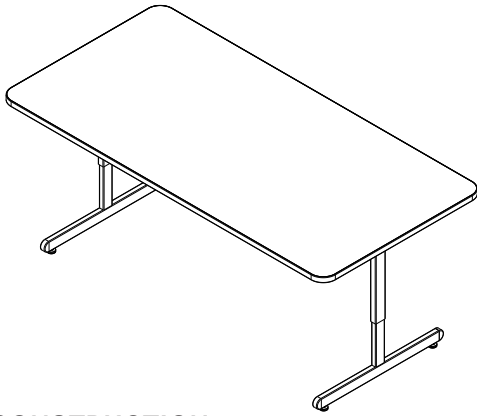


# MARCO™

## Specification Sheet

# T-LEG DESKS & TABLES

## 72" x 36" Rectangle

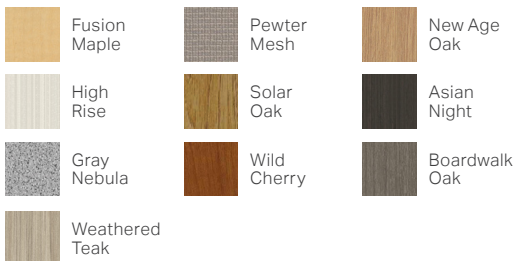


### CONSTRUCTION

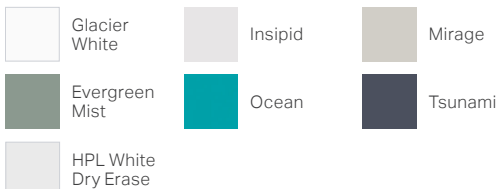
- Top constructed of 1-1/8" particleboard with thermally fused melamine surface on both sides
- Thermally fused 3mm PVC edge banding
- Pre-drilled holes for easy leg assembly
- Upper leg frame with black or gray powder coat finish
- Lower adjustable legs are chrome-plated and tapped at 1" intervals for adjustment from 22" to 30" tabletop heights
- Adjustable nylon glides allow for easy leveling

### FINISHES

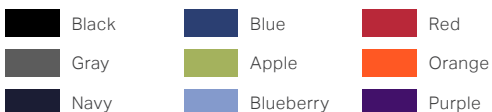
**LAMINATES** Available with matching or colored edge band



**DRY ERASE LAMINATES** Available with colored edge band



### OPTIONAL EDGE BAND COLORS

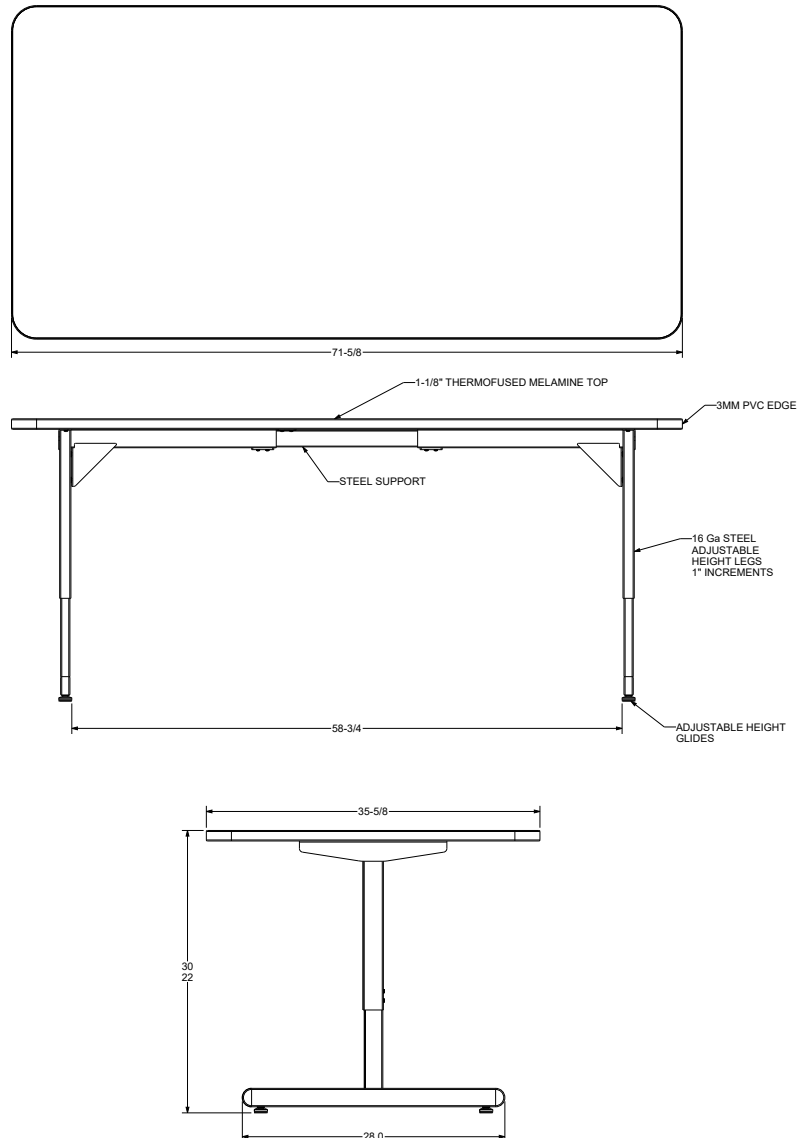


### METAL FRAME



### DIMENSIONS

Model #	Width	Depth	Height
42480530	72"	36"	22"-30"



### WARRANTY

10 Year Limited

### CERTIFICATIONS

Worksurfaces are UL Greenguard Gold certified

This specification information is provided for general reference only and is subject to change without notice. While every effort has been made to ensure accuracy, Marco makes no warranties, express or implied, regarding the completeness or correctness of the details presented. Users should always verify specifications with the latest product documentation before making any purchasing decisions.