



MARCO™

Specification Sheet

APEX™ SERIES

12" Stacking Chair

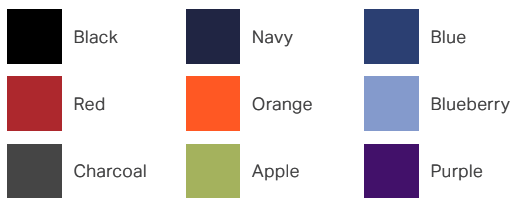


FEATURES

- Polypropylene seat shell with flexible back
- Steel brackets welded to frame for added strength
- Legs constructed of 1-1/8" tubular steel
- Nickel-plated, self-leveling nylon glides

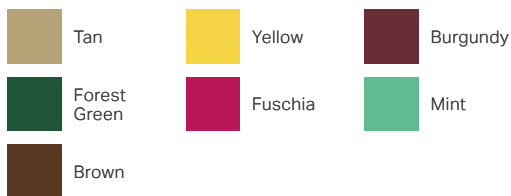
FINISHES

STANDARD SEAT COLORS

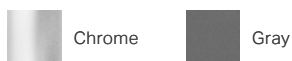


SPECIAL ORDER SEAT COLORS

Minimum order quantity of 500 and a 12 week lead-time.



LEG COLORS

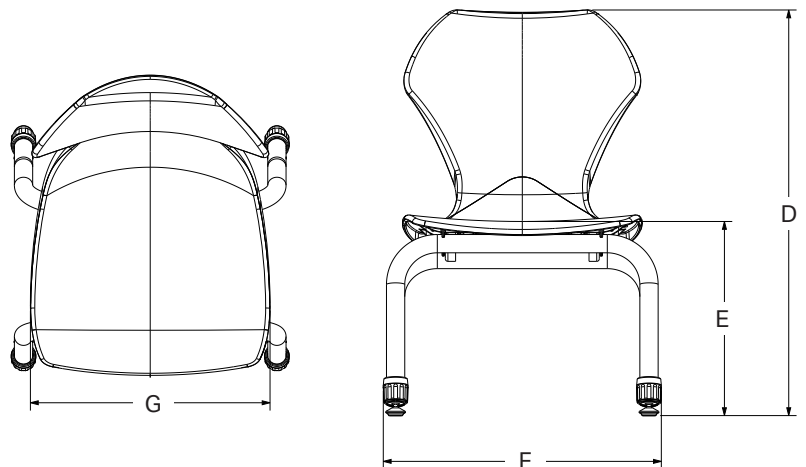
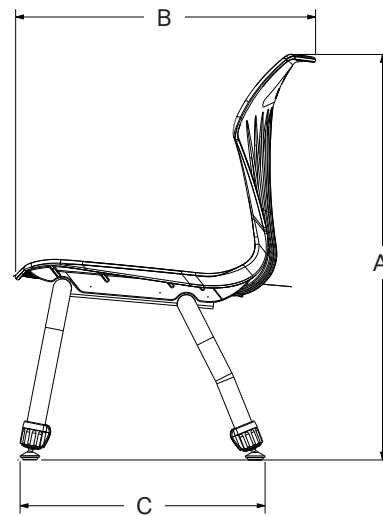


WARRANTY

10 Year Limited

DIMENSIONS

Model	Description	A	B	C	D	E	F	G
38101-12	12" Stacking Chair	24.9	18.4	15	24.9	11.9	17.1	14.7



Weight Capacity: 100 lbs.

This specification information is provided for general reference only and is subject to change without notice. While every effort has been made to ensure accuracy, Marco makes no warranties, express or implied, regarding the completeness or correctness of the details presented. Users should always verify specifications with the latest product documentation before making any purchasing decisions.



MARCO™

Specification Sheet

APEX™ SERIES

14" Stacking Chair

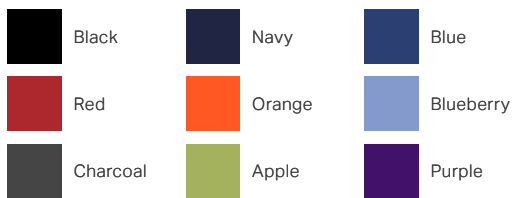


FEATURES

- Polypropylene seat shell with flexible back
- Steel brackets welded to frame for added strength
- Legs constructed of 1-1/8" tubular steel
- Nickel-plated, self-leveling nylon glides

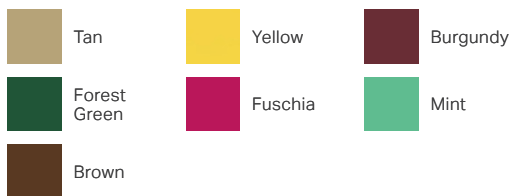
FINISHES

STANDARD SEAT COLORS

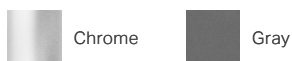


SPECIAL ORDER SEAT COLORS

Minimum order quantity of 500 and a 12 week lead-time.



LEG COLORS

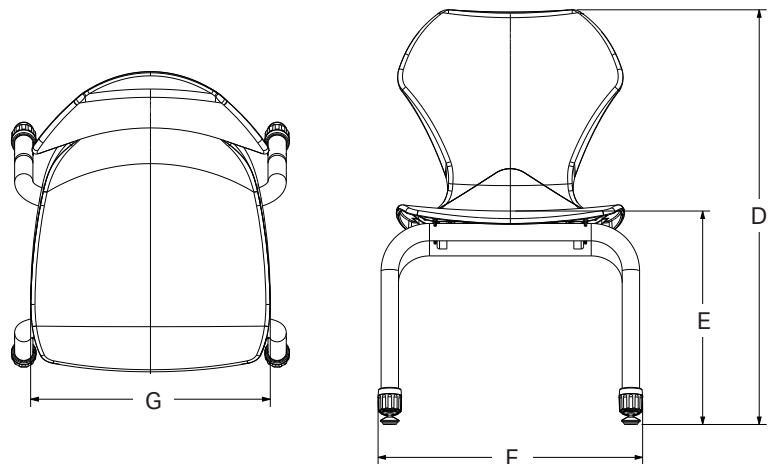


WARRANTY

10 Year Limited

DIMENSIONS

Model	Description	A	B	C	D	E	F	G
38101-14	14" Stacking Chair	26.7	18.5	16.3	26.7	13.8	17.1	14.7



Weight Capacity: 175 lbs.

This specification information is provided for general reference only and is subject to change without notice. While every effort has been made to ensure accuracy, Marco makes no warranties, express or implied, regarding the completeness or correctness of the details presented. Users should always verify specifications with the latest product documentation before making any purchasing decisions.



MARCO™

Specification Sheet

APEX™ SERIES

16" Stacking Chair

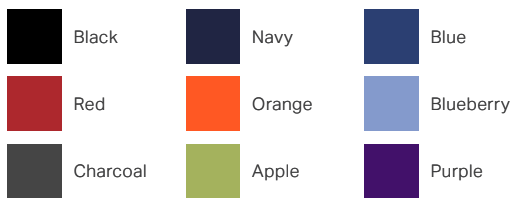


FEATURES

- Polypropylene seat shell with flexible back
- Steel brackets welded to frame for added strength
- Legs constructed of 1-1/8" tubular steel
- Nickel-plated, self-leveling nylon glides

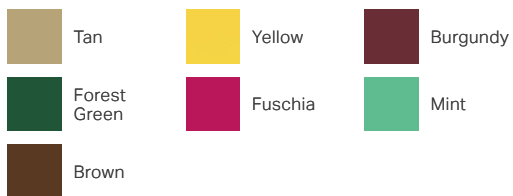
FINISHES

STANDARD SEAT COLORS

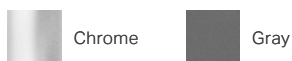


SPECIAL ORDER SEAT COLORS

Minimum order quantity of 500 and a 12 week lead-time.



LEG COLORS

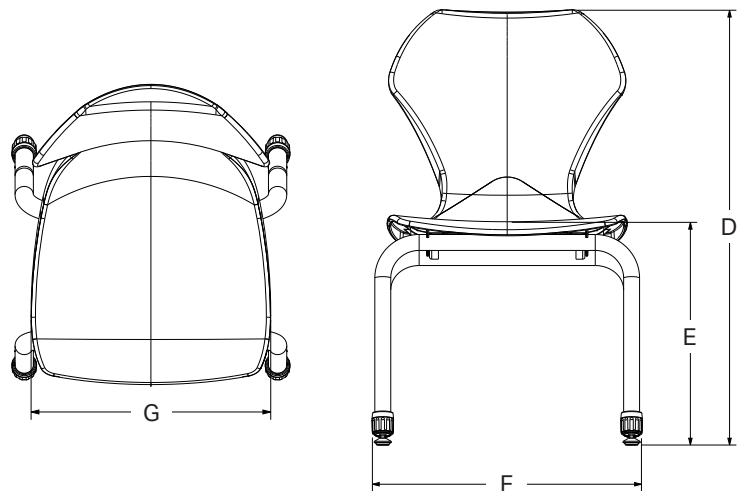
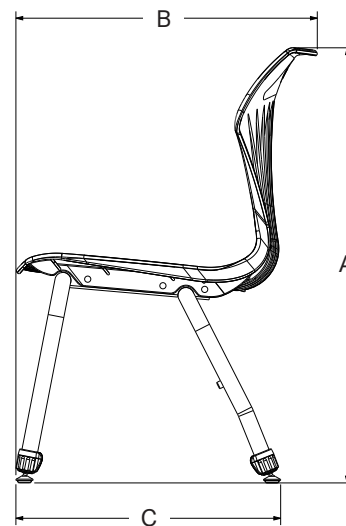


WARRANTY

10 Year Limited

DIMENSIONS

Model	Description	A	B	C	D	E	F	G
38101-16	16" Stacking Chair	30.6	21.2	18.6	30.6	15.7	18.9	16.9



Weight Capacity: 175 lbs.

This specification information is provided for general reference only and is subject to change without notice. While every effort has been made to ensure accuracy, Marco makes no warranties, express or implied, regarding the completeness or correctness of the details presented. Users should always verify specifications with the latest product documentation before making any purchasing decisions.



MARCO™

Specification Sheet

APEX™ SERIES

18" Stacking Chair

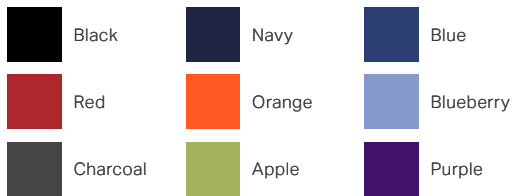


FEATURES

- Polypropylene seat shell with flexible back
- Steel brackets welded to frame for added strength
- Legs constructed of 1-1/8" tubular steel
- Nickel-plated, self-leveling nylon glides

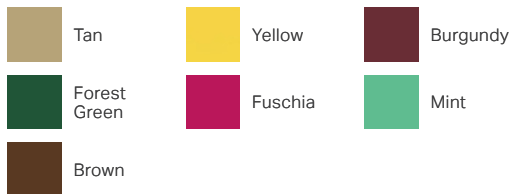
FINISHES

STANDARD SEAT COLORS

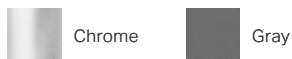


SPECIAL ORDER SEAT COLORS

Minimum order quantity of 500 and a 12 week lead-time.



LEG COLORS

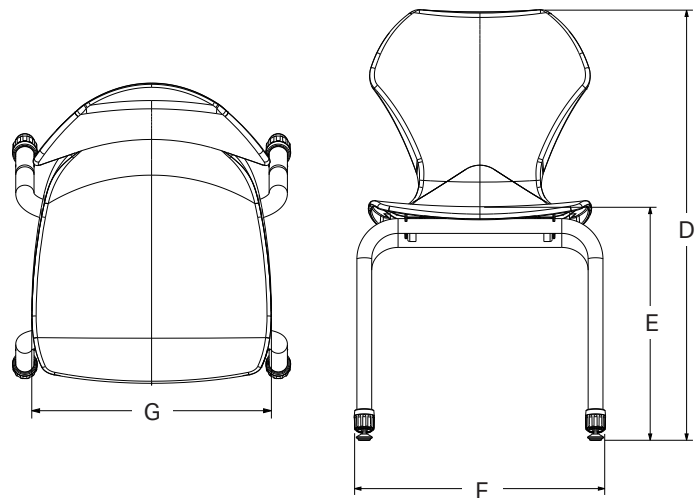
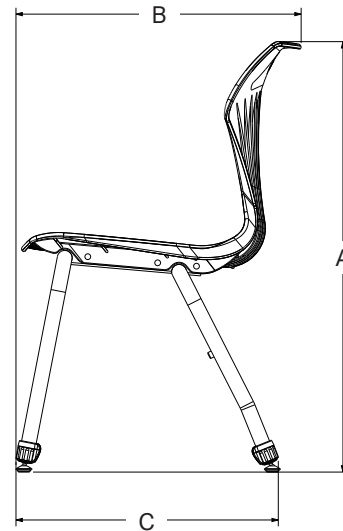


WARRANTY

10 Year Limited

DIMENSIONS

Model	Description	A	B	C	D	E	F	G
38101-18	18" Stacking Chair	32.6	21.6	19.9	32.6	17.7	18.9	16.9



Weight Capacity: 250 lbs.

This specification information is provided for general reference only and is subject to change without notice. While every effort has been made to ensure accuracy, Marco makes no warranties, express or implied, regarding the completeness or correctness of the details presented. Users should always verify specifications with the latest product documentation before making any purchasing decisions.



MARCO™

Specification Sheet

APEX™ SERIES

Caster Chair

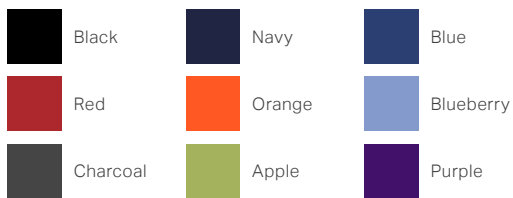


FEATURES

- Polypropylene seat shell with flexible back
- Steel brackets welded to frame for added strength
- Legs constructed of 1-1/8" tubular steel with Chrome finish
- 18" model also available with gray powder coat finish legs
- 2" swivel casters allow for easy mobility

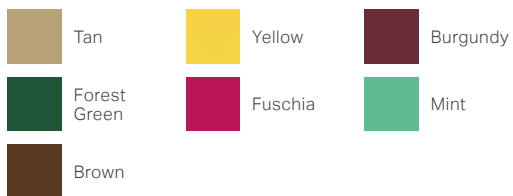
FINISHES

STANDARD SEAT COLORS

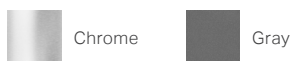


SPECIAL ORDER SEAT COLORS

Minimum order quantity of 500 and a 12 week lead-time.



LEG COLORS

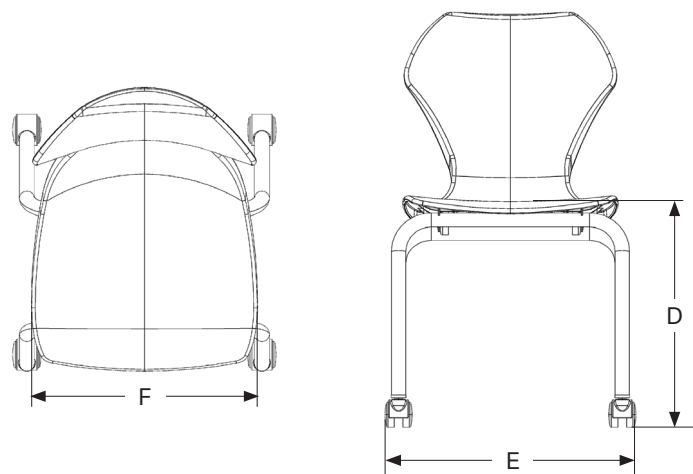
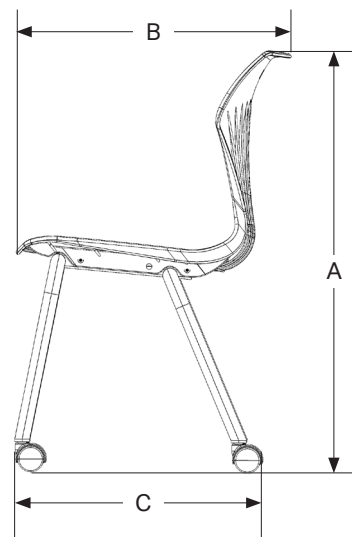


WARRANTY

10 Year Limited

DIMENSIONS

Model	Description	A	B	C	D	E	F
38102-18	18" Caster Chair	32	21.6	20.5	17.7	18.9	16.9
38102-16	16" Caster Chair	30.6	21.2	20	15.7	18.9	16.9



Weight Capacities:

38102-18 = 250 lbs. / 38102-16 = 175 lbs.

This specification information is provided for general reference only and is subject to change without notice. While every effort has been made to ensure accuracy, Marco makes no warranties, express or implied, regarding the completeness or correctness of the details presented. Users should always verify specifications with the latest product documentation before making any purchasing decisions.



MARCO™

Specification Sheet

APEX™ SERIES Gas Lift Task Chair

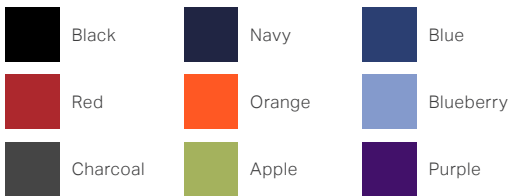


FEATURES

- Polypropylene seat shell with flexible back
- Steel brackets welded to frame for added strength
- 5-star base with 2" hooded swivel casters
- Pneumatic lift provides easy height adjustment

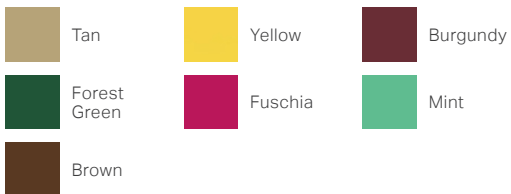
FINISHES

STANDARD SEAT COLORS



SPECIAL ORDER SEAT COLORS

Minimum order quantity of 500 and a 12 week lead-time.



LEG COLORS

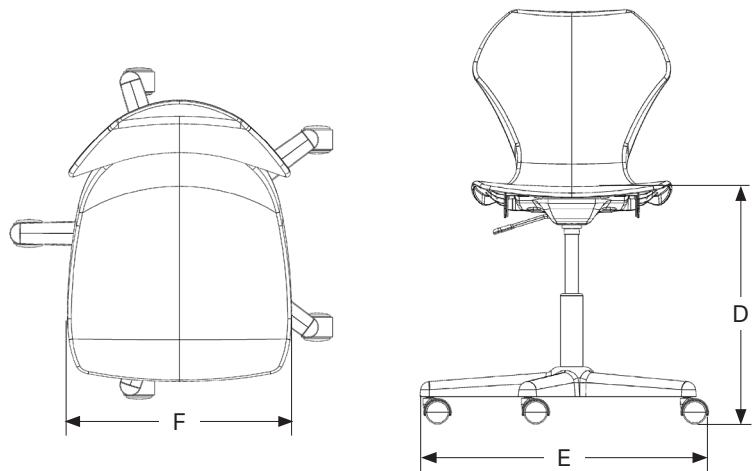
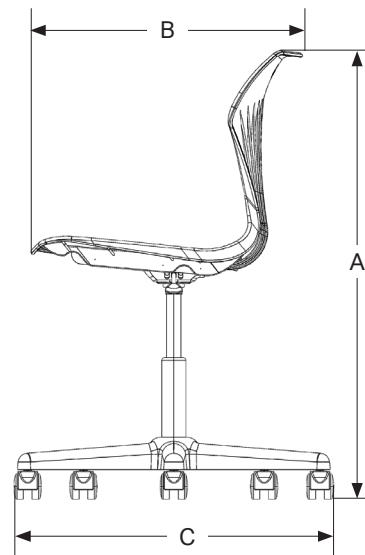


WARRANTY

10 Year Limited

DIMENSIONS

Model	Description	A	B	C	D	E	F
38103	Gas Lift Task Chair	31-35	21.6	23	16-20	23	16.9



Weight Capacity: 250 lbs.

This specification information is provided for general reference only and is subject to change without notice. While every effort has been made to ensure accuracy, Marco makes no warranties, express or implied, regarding the completeness or correctness of the details presented. Users should always verify specifications with the latest product documentation before making any purchasing decisions.



MARCO™

Specification Sheet

APEX™ SERIES Gas Lift Task Stool

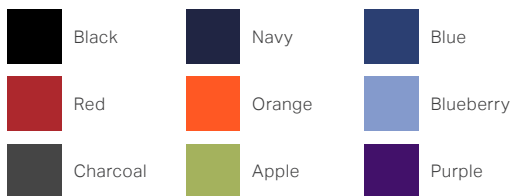


FEATURES

- Polypropylene seat shell with flexible back
- Steel brackets welded to frame for added strength
- 5-star base with 2" hooded swivel casters
- Pneumatic lift provides easy height adjustment
- Adjustable chrome ring foot rest for added comfort

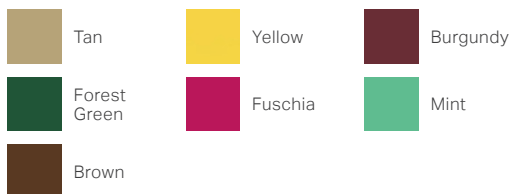
FINISHES

STANDARD SEAT COLORS

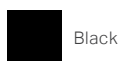


SPECIAL ORDER SEAT COLORS

Minimum order quantity of 500 and a 12 week lead-time.



LEG COLORS

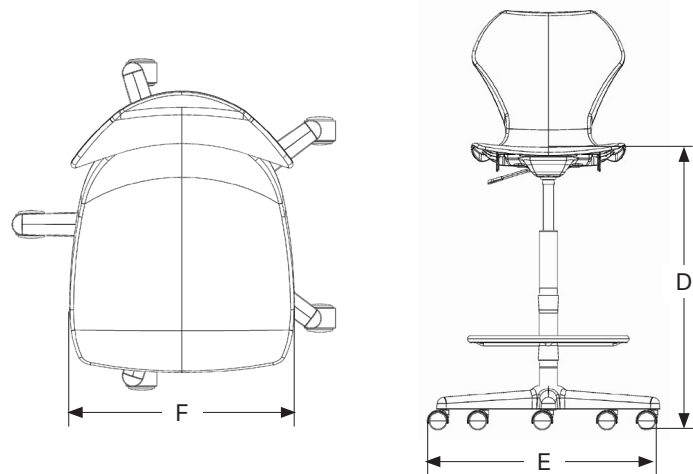
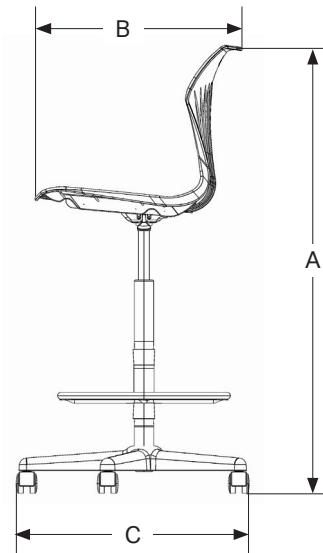


WARRANTY

10 Year Limited

DIMENSIONS

Model	Description	A	B	C	D	E	F
38203	Gas Lift Task Stool	43-47	21.6	23	28-32	23	16.9



Weight Capacity: 250 lbs.

This specification information is provided for general reference only and is subject to change without notice. While every effort has been made to ensure accuracy, Marco makes no warranties, express or implied, regarding the completeness or correctness of the details presented. Users should always verify specifications with the latest product documentation before making any purchasing decisions.



MARCO™

Specification Sheet

APEX™ SERIES

Adjustable Stool

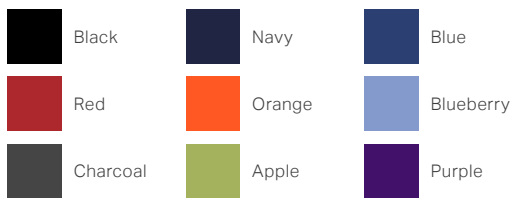


FEATURES

- Polypropylene seat shell with flexible back
- Steel brackets welded to frame for added strength
- Under-seat frame includes nylon bumpers to protect desktop surfaces when storing chair on desk
- Legs constructed of 1-1/8" tubular steel
- Available leg height from 24-28 inches
- Sturdy foot rest for added comfort
- Feet have nylon glides to protect floors

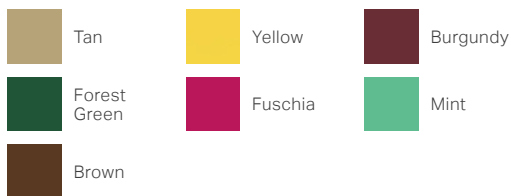
FINISHES

STANDARD SEAT COLORS

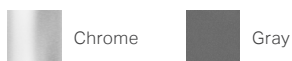


SPECIAL ORDER SEAT COLORS

Minimum order quantity of 500 and a 12 week lead-time.



LEG COLORS

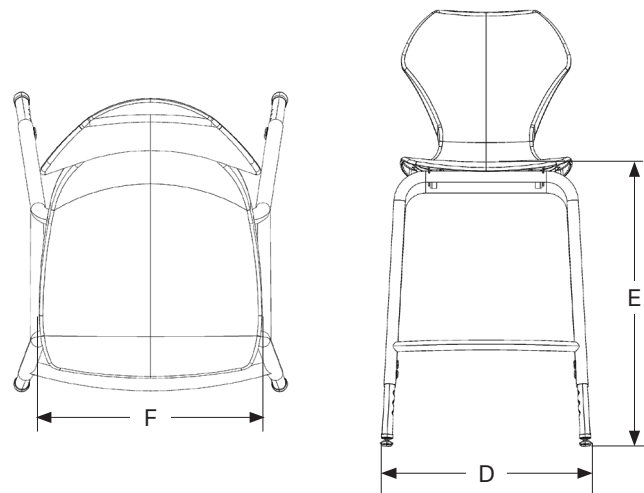
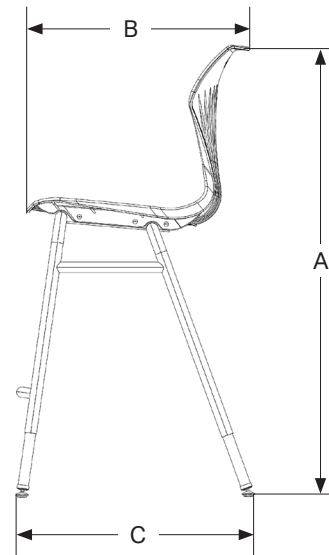


WARRANTY

10 Year Limited

DIMENSIONS

Model	Description	A	B	C	D	E	F
38201	Adjustable Stool	39-45	21.6	27.5	25.5	24-30	16.9



Weight Capacity: 250 lbs.

This specification information is provided for general reference only and is subject to change without notice. While every effort has been made to ensure accuracy, Marco makes no warranties, express or implied, regarding the completeness or correctness of the details presented. Users should always verify specifications with the latest product documentation before making any purchasing decisions.



MARCO™

Specification Sheet

APEX™ SERIES

Cantilever Chair

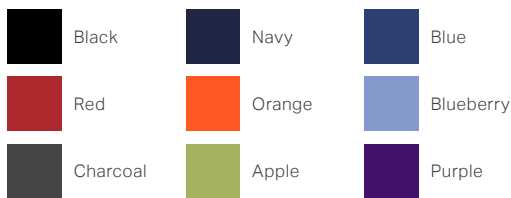


FEATURES

- Polypropylene seat shell with flexible back
- Steel brackets welded to frame for added strength
- Under-seat frame includes nylon bumpers to protect desktop surfaces when storing chair on desk
- Legs constructed of 1-1/8" tubular steel
- Feet have nylon glides to protect floors

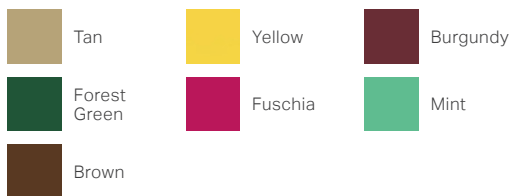
FINISHES

STANDARD SEAT COLORS

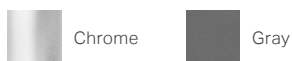


SPECIAL ORDER SEAT COLORS

Minimum order quantity of 500 and a 12 week lead-time.



LEG COLORS

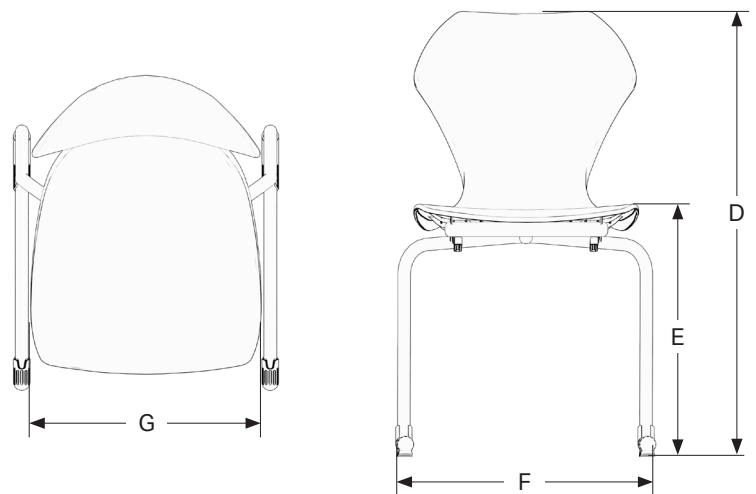
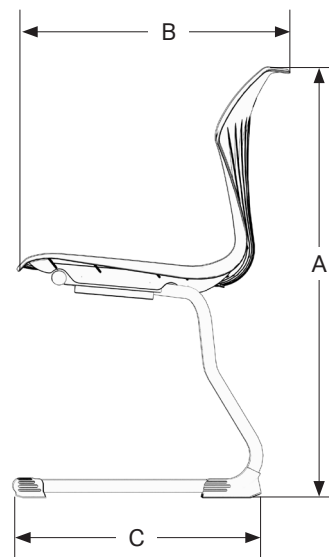


WARRANTY

10 Year Limited

DIMENSIONS

Model	Description	A	B	C	D	E	F	G
38301-18	18" Cantilever Chair	33	21.6	18.5	33	18.2	18.25	16.5
38301-16	16" Cantilever Chair	31.5	21.6	17	31.5	16.2	17.75	16.5



Weight Capacities:

38301-18 = 250 lbs. / 38301-16 = 175 lbs.

This specification information is provided for general reference only and is subject to change without notice. While every effort has been made to ensure accuracy, Marco makes no warranties, express or implied, regarding the completeness or correctness of the details presented. Users should always verify specifications with the latest product documentation before making any purchasing decisions.