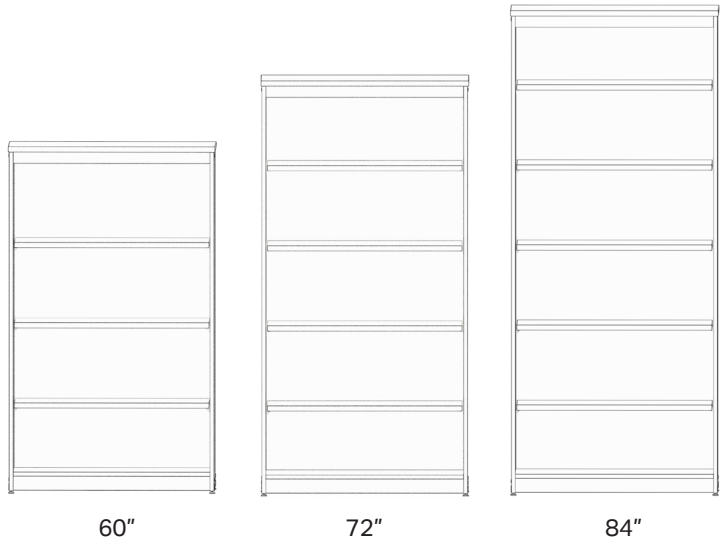
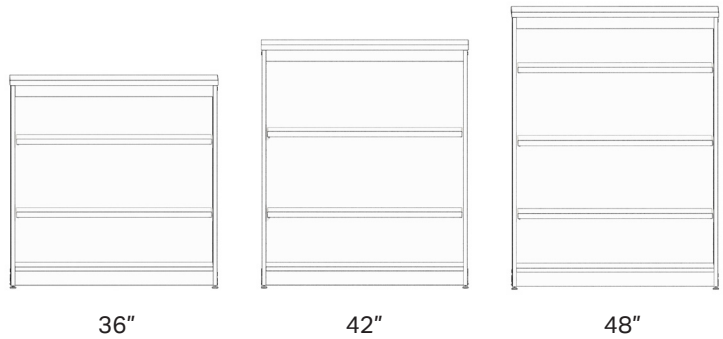


Model #	Dimensions	Description
3500-36361	36"W x 14"D x 36"H	3 Shelves / 2 Adjustable
3500-36421	36"W x 14"D x 42"H	3 Shelves / 2 Adjustable
3500-36481	36"W x 14"D x 48"H	4 Shelves / 3 Adjustable
3500-36601	36"W x 14"D x 60"H	4 Shelves / 3 Adjustable
3500-36721	36"W x 14"D x 72"H	5 Shelves / 4 Adjustable
3500-36841	36"W x 14"D x 84"H	6 Shelves / 5 Adjustable

Adjustable shelves (33.5"W x 11.5"D)



### CONSTRUCTION

- Cabinet constructed of ¾" particleboard substrate with thermally fused laminate surface on both sides
- 3mm PVC edge banding
- Shelves are 1" thick for reduced bowing
- Panels assembled with bolt-through steel tubing and heavy duty corner fasteners for structural support and rigidity
- Clear plastic self-locking shelf pegs
- Adjustable floor levelers

### FINISHES

#### LAMINATES



### WARRANTY

10 Year Limited

### CERTIFICATIONS

UL Greenguard Gold certified

This specification information is provided for general reference only and is subject to change without notice. While every effort has been made to ensure accuracy, Marco makes no warranties, express or implied, regarding the completeness or correctness of the details presented. Users should always verify specifications with the latest product documentation before making any purchasing decisions.



# MARCO™

## Specification Sheet

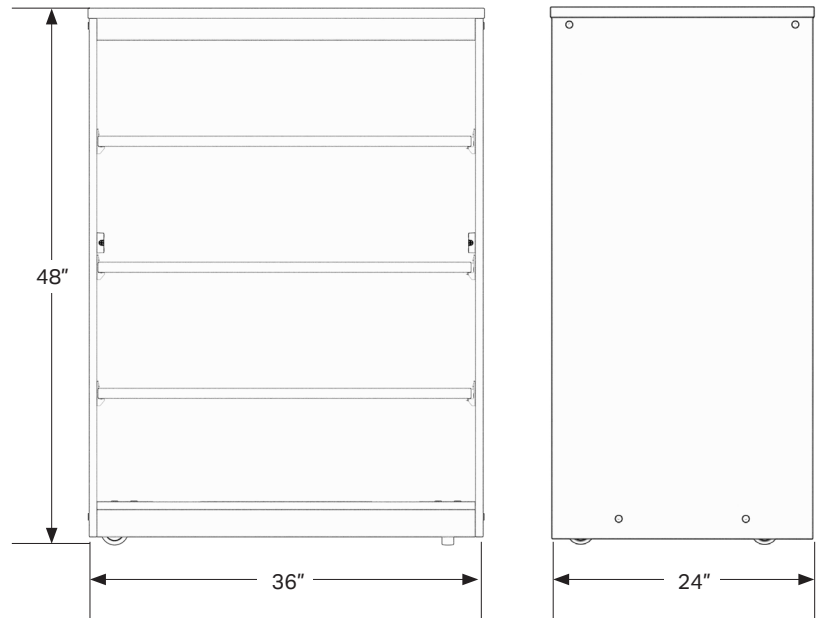
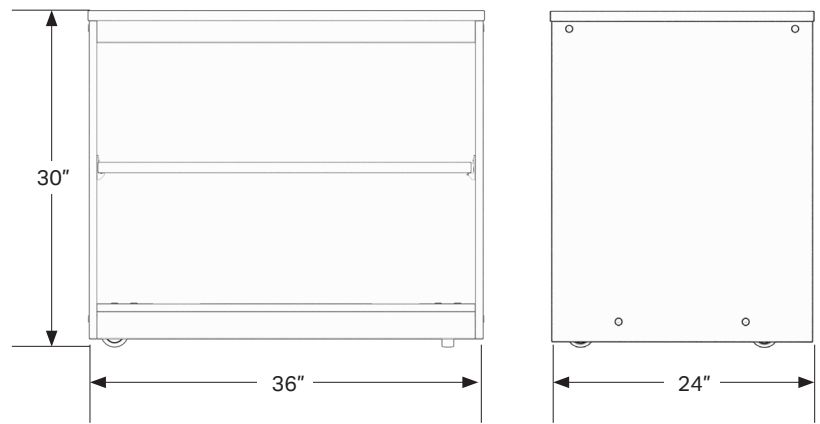
# BOOKCASES

## Double-Sided



Model #	Dimensions	Description
3510-36303	36"W x 24"D x 30"H	4 Shelves / 2 Adjustable (mobile)
3510-36483	36"W x 24"D x 48"H	8 Shelves / 6 Adjustable (mobile)
3530-36483	36"W x 24"D x 48"H	8 Shelves / 6 Adjustable (non-mobile)

Adjustable shelves (33.5"W x 10.75"D)

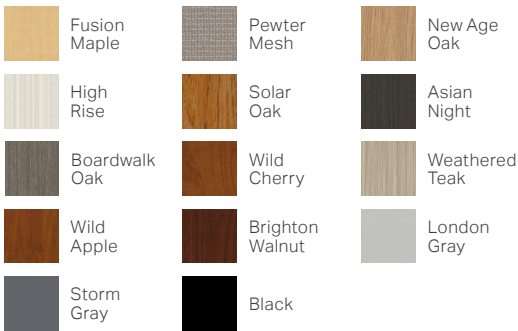


### CONSTRUCTION

- Cabinet constructed of ¾" particleboard substrate with thermally fused laminate surface on both sides
- 3mm PVC edge banding
- Shelves are 1" thick for reduced bowing
- Panels assembled with bolt-through steel tubing and heavy duty corner fasteners for structural support and rigidity
- Clear plastic self-locking shelf pegs
- Mobile cabinets have concealed casters
- Non-mobile cabinet has adjustable floor levelers

### FINISHES

#### LAMINATES



### WARRANTY

10 Year Limited

### CERTIFICATIONS

UL Greenguard Gold certified

This specification information is provided for general reference only and is subject to change without notice. While every effort has been made to ensure accuracy, Marco makes no warranties, express or implied, regarding the completeness or correctness of the details presented. Users should always verify specifications with the latest product documentation before making any purchasing decisions.

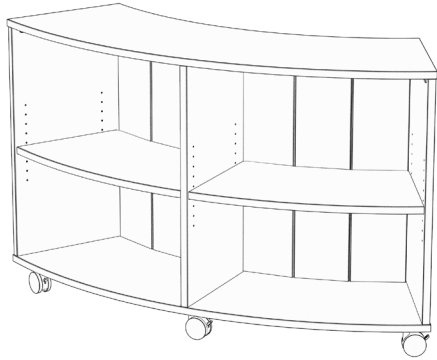


# MARCO™

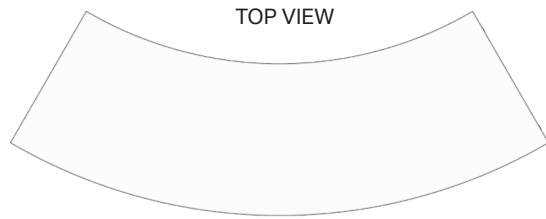
## Specification Sheet

# CURVED BOOKCASES

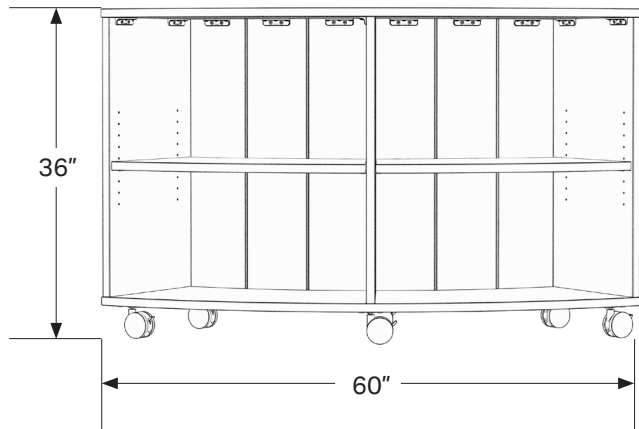
## Single-Sided Mobile (36"H)



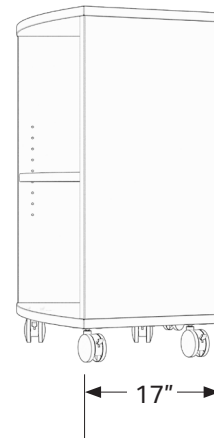
Model #	Dimensions	Description
4660-603617A0	60"W x 17"D x 36"H	4 Shelves / 2 Adjustable



FRONT VIEW



SIDE VIEW

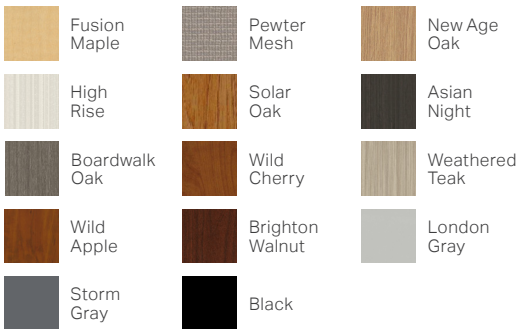


### CONSTRUCTION

- Cabinet constructed of 3/4" particleboard substrate with thermally fused laminate surface on both sides
- 3mm PVC edge banding
- Shelves are 1" thick for reduced bowing
- Heavy duty corner fasteners for structural support and rigidity
- Clear plastic self-locking shelf pegs
- 3" black heavy duty locking casters
- Patent pending

### FINISHES

#### LAMINATES



### WARRANTY

10 Year Limited

### CERTIFICATIONS

UL Greenguard Gold certified

This specification information is provided for general reference only and is subject to change without notice. While every effort has been made to ensure accuracy, Marco makes no warranties, express or implied, regarding the completeness or correctness of the details presented. Users should always verify specifications with the latest product documentation before making any purchasing decisions.

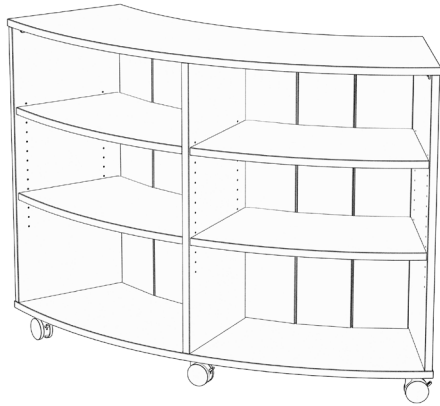


# MARCO™

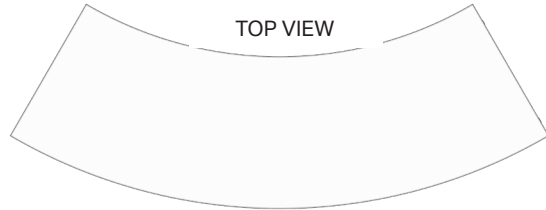
## Specification Sheet

# CURVED BOOKCASES

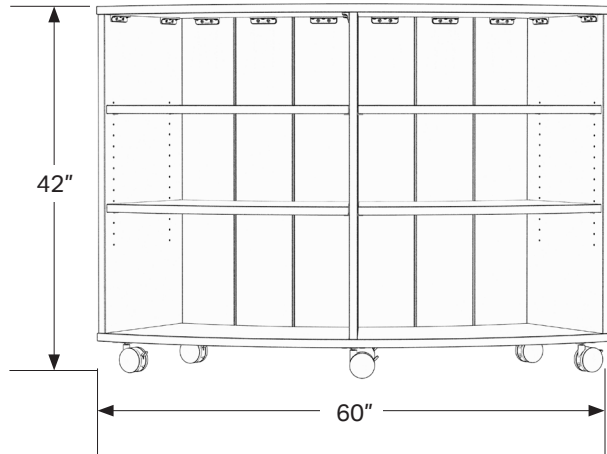
## Single-Sided Mobile (42"H)



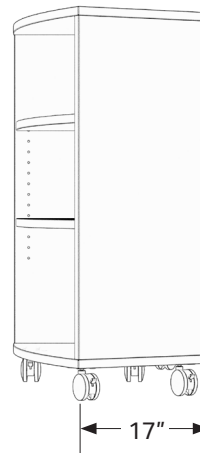
Model #	Dimensions	Description
4660-604217A0	60"W x 17"D x 42"H	6 Shelves / 4 Adjustable



FRONT VIEW



SIDE VIEW

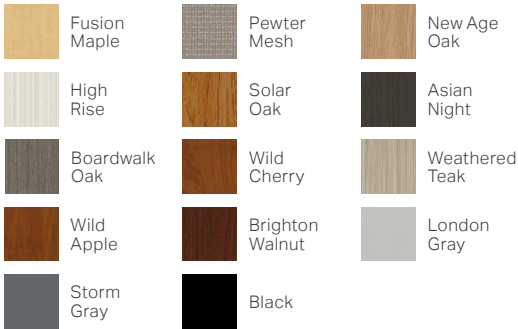


### CONSTRUCTION

- Cabinet constructed of ¾" particleboard substrate with thermally fused laminate surface on both sides
- 3mm PVC edge banding
- Shelves are 1" thick for reduced bowing
- Heavy duty corner fasteners for structural support and rigidity
- Clear plastic self-locking shelf pegs
- 3" black heavy duty locking casters
- Patent pending

### FINISHES

#### LAMINATES



### WARRANTY

10 Year Limited

### CERTIFICATIONS

UL Greenguard Gold certified

This specification information is provided for general reference only and is subject to change without notice. While every effort has been made to ensure accuracy, Marco makes no warranties, express or implied, regarding the completeness or correctness of the details presented. Users should always verify specifications with the latest product documentation before making any purchasing decisions.



# MARCO™

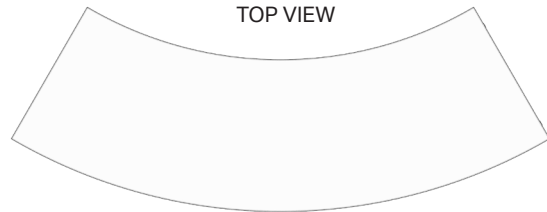
## Specification Sheet

# CURVED BOOKCASES

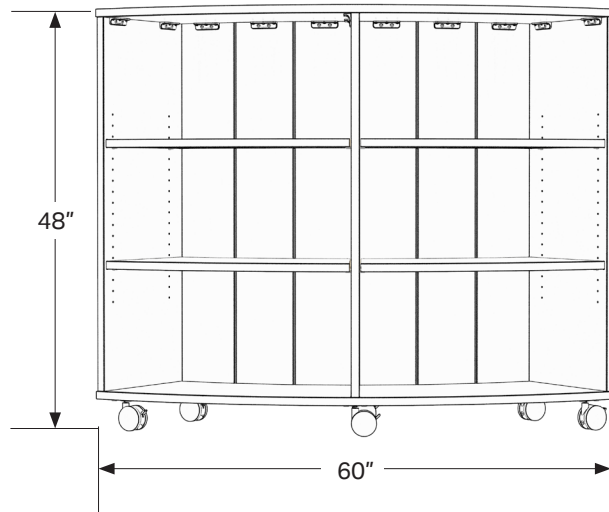
## Single-Sided Mobile (48"H)



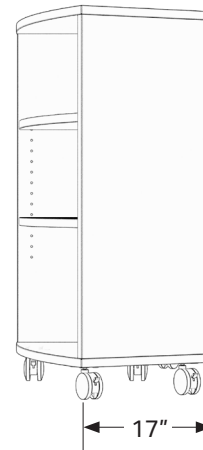
Model #	Dimensions	Description
4660-604817A0	60"W x 17"D x 48"H	6 Shelves / 4 Adjustable



FRONT VIEW



SIDE VIEW

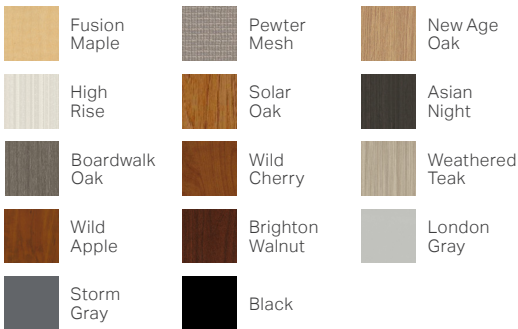


### CONSTRUCTION

- Cabinet constructed of ¾" particleboard substrate with thermally fused laminate surface on both sides
- 3mm PVC edge banding
- Shelves are 1" thick for reduced bowing
- Heavy duty corner fasteners for structural support and rigidity
- Clear plastic self-locking shelf pegs
- 3" black heavy duty locking casters
- Patent pending

### FINISHES

#### LAMINATES



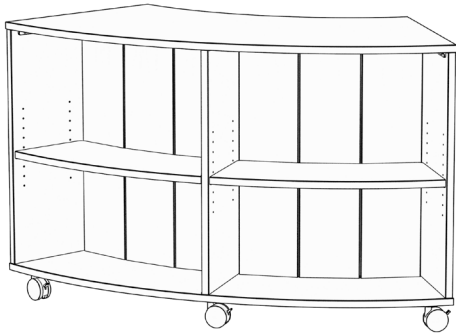
### WARRANTY

10 Year Limited

### CERTIFICATIONS

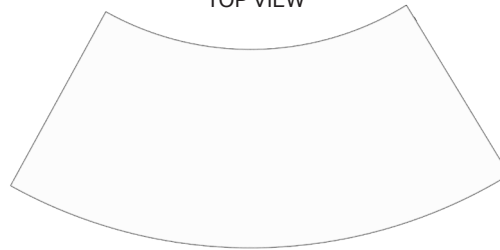
UL Greenguard Gold certified

This specification information is provided for general reference only and is subject to change without notice. While every effort has been made to ensure accuracy, Marco makes no warranties, express or implied, regarding the completeness or correctness of the details presented. Users should always verify specifications with the latest product documentation before making any purchasing decisions.

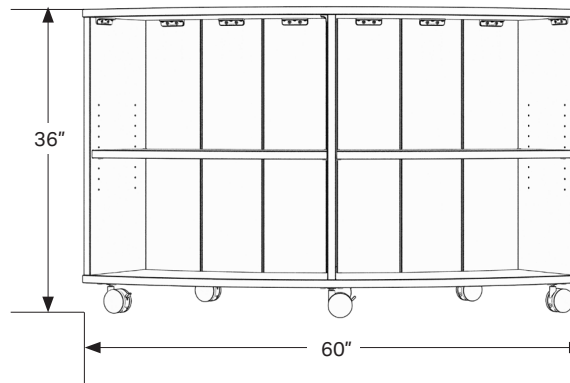


Model #	Dimensions	Description
4670-603624A0	60"W x 24"D x 36"H	8 Shelves / 4 Adjustable

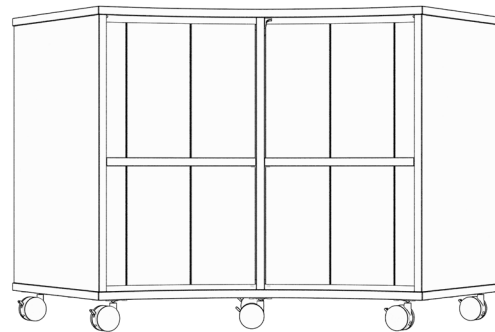
TOP VIEW



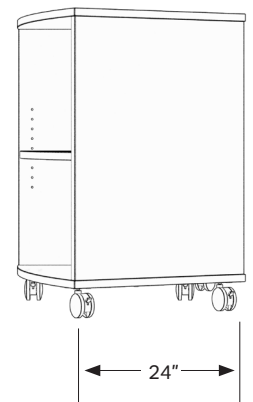
FRONT VIEW



BACK VIEW



SIDE VIEW

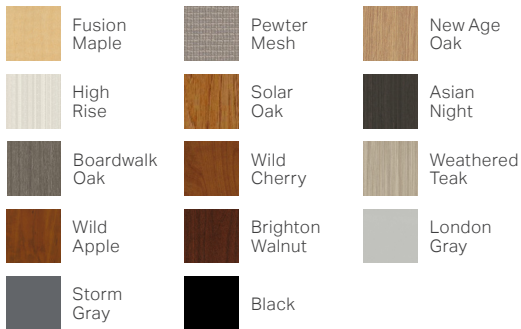


### CONSTRUCTION

- Cabinet constructed of ¾" particleboard substrate with thermally fused laminate surface on both sides
- 3mm PVC edge banding
- Shelves are 1" thick for reduced bowing
- Heavy duty corner fasteners for structural support and rigidity
- Clear plastic self-locking shelf pegs
- 3" black heavy duty locking casters
- Patent pending

### FINISHES

#### LAMINATES



### WARRANTY

10 Year Limited

### CERTIFICATIONS

UL Greenguard Gold certified

This specification information is provided for general reference only and is subject to change without notice. While every effort has been made to ensure accuracy, Marco makes no warranties, express or implied, regarding the completeness or correctness of the details presented. Users should always verify specifications with the latest product documentation before making any purchasing decisions.

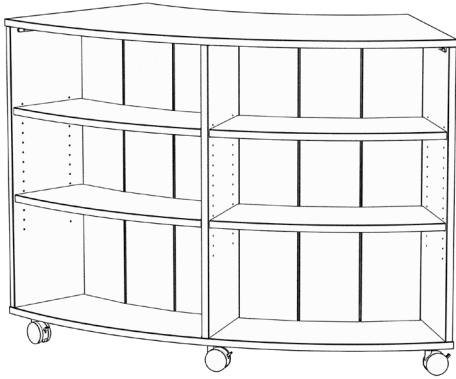


# MARCO™

## Specification Sheet

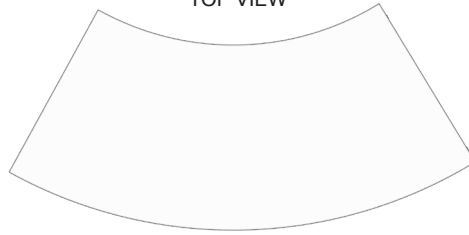
# CURVED BOOKCASES

## Double-Sided Mobile (42"H)

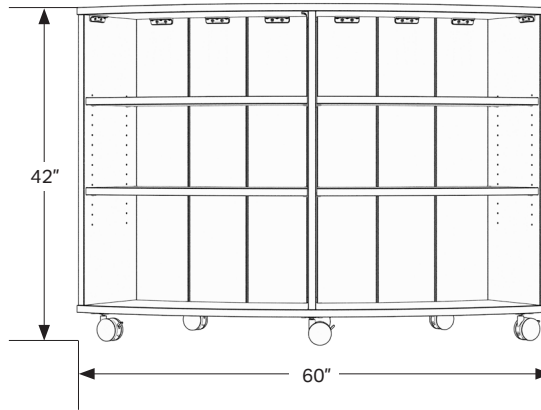


Model #	Dimensions	Description
4670-604224A0	60"W x 24"D x 42"H	12 Shelves / 8 Adjustable

TOP VIEW



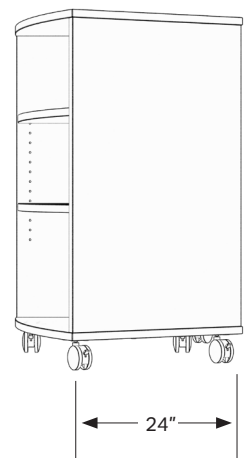
FRONT VIEW



BACK VIEW



SIDE VIEW



### CONSTRUCTION

- Cabinet constructed of ¾" particleboard substrate with thermally fused laminate surface on both sides
- 3mm PVC edge banding
- Shelves are 1" thick for reduced bowing
- Heavy duty corner fasteners for structural support and rigidity
- Clear plastic self-locking shelf pegs
- 3" black heavy duty locking casters
- Patent pending

### FINISHES

#### LAMINATES



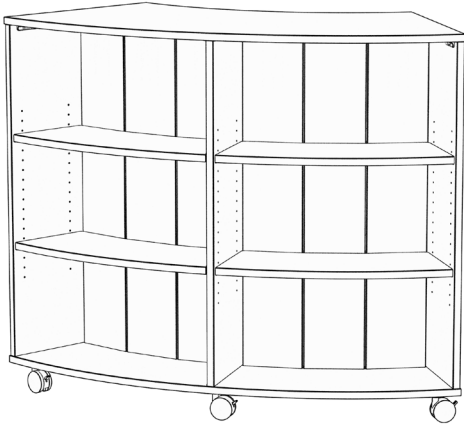
### WARRANTY

10 Year Limited

### CERTIFICATIONS

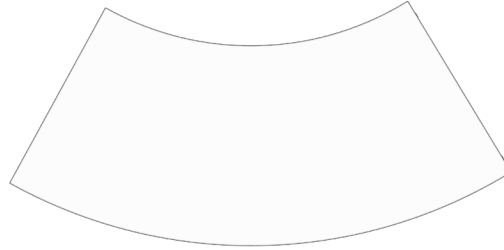
UL Greenguard Gold certified

This specification information is provided for general reference only and is subject to change without notice. While every effort has been made to ensure accuracy, Marco makes no warranties, express or implied, regarding the completeness or correctness of the details presented. Users should always verify specifications with the latest product documentation before making any purchasing decisions.

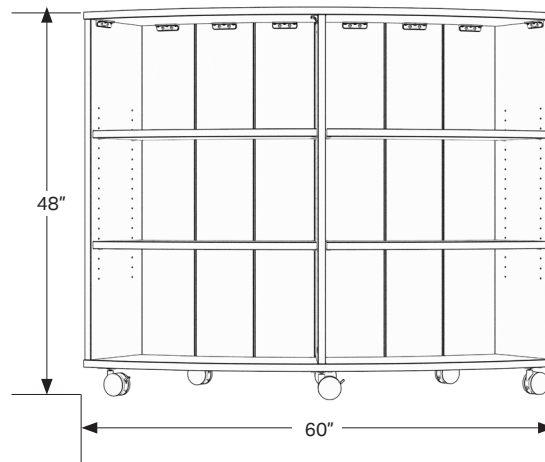


Model #	Dimensions	Description
4670-604824A0	60"W x 24"D x 48"H	12 Shelves / 8 Adjustable

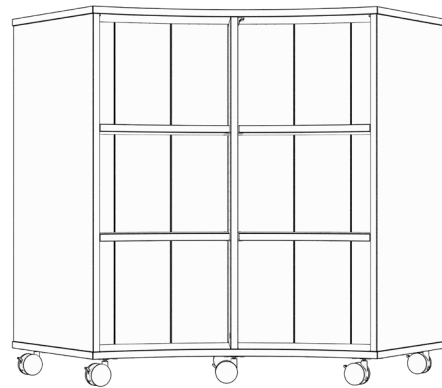
TOP VIEW



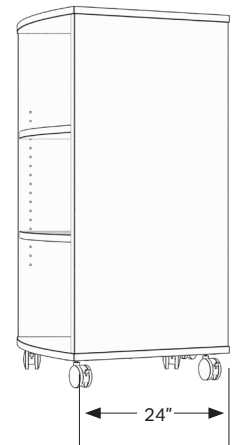
FRONT VIEW



BACK VIEW



SIDE VIEW

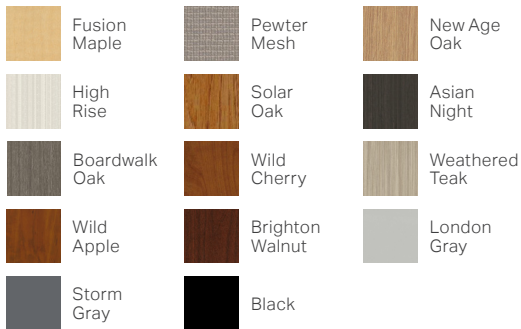


### CONSTRUCTION

- Cabinet constructed of 3/4" particleboard substrate with thermally fused laminate surface on both sides
- 3mm PVC edge banding
- Shelves are 1" thick for reduced bowing
- Heavy duty corner fasteners for structural support and rigidity
- Clear plastic self-locking shelf pegs
- 3" black heavy duty locking casters
- Patent pending

### FINISHES

#### LAMINATES



### WARRANTY

10 Year Limited

### CERTIFICATIONS

UL Greenguard Gold certified

This specification information is provided for general reference only and is subject to change without notice. While every effort has been made to ensure accuracy, Marco makes no warranties, express or implied, regarding the completeness or correctness of the details presented. Users should always verify specifications with the latest product documentation before making any purchasing decisions.