

### CONSTRUCTION

- Top constructed of 1 1/8" particleboard with thermo-fused melamine surface on top and bottom
- Thermally fused 3mm PVC edge banding
- Base columns are 3" diameter 16-gauge steel with a gray powder coat finish
- Round steel base with gray powder coat finish
- Adjustable leveling glides

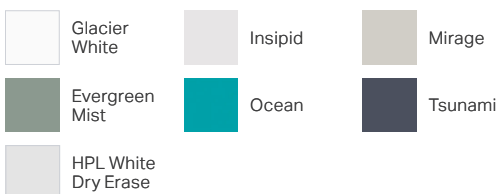
### FINISHES

#### WORKSURFACE LAMINATES

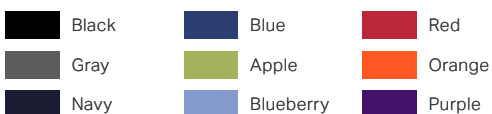
Available with matching edge band except Gray Nebula.



#### DRY ERASE LAMINATES Available with color edge band.



#### OPTIONAL EDGE BAND COLORS

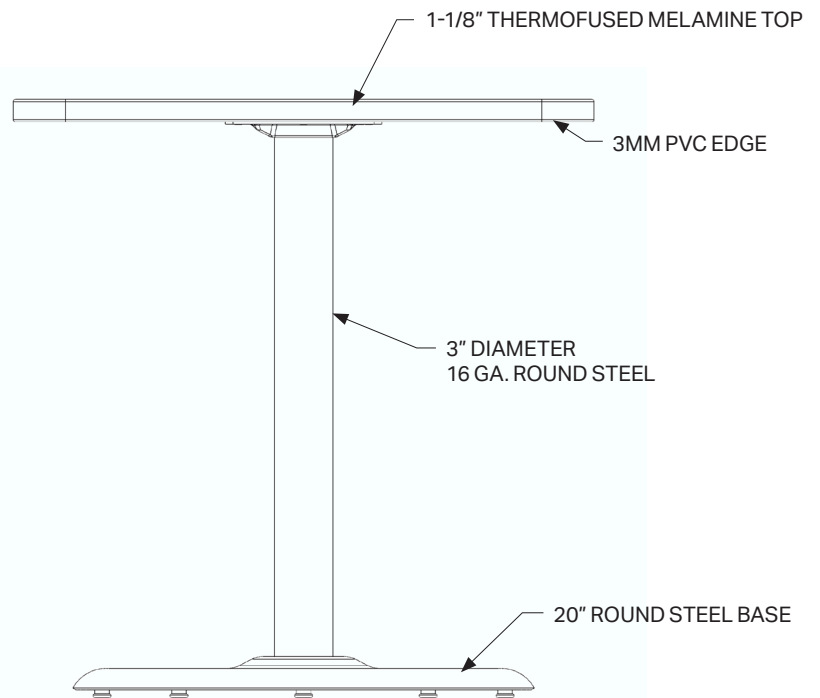


#### METAL LEG OPTIONS



### DIMENSIONS

Model #	Shape	Width	Depth	Height
MG2543-xx-229GY	Round	30"	30"	29"
MG2544-xx-229GY	Round	36"	36"	29"
MG2511-xx-229GY	Square	30"	30"	29"
MG2512-xx-229GY	Square	36"	36"	29"



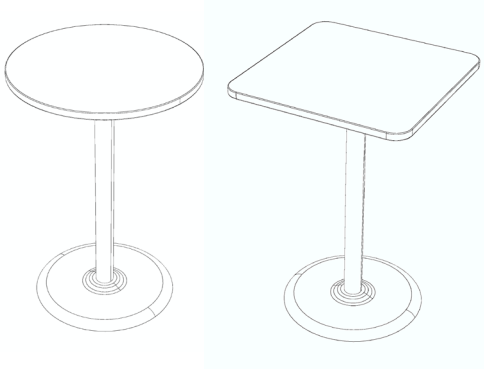
### WARRANTY

10 Year Limited

### CERTIFICATIONS

Worksurfaces are UL Greenguard Gold certified

This specification information is provided for general reference only and is subject to change without notice. While every effort has been made to ensure accuracy, Marco makes no warranties, express or implied, regarding the completeness or correctness of the details presented. Users should always verify specifications with the latest product documentation before making any purchasing decisions.



### CONSTRUCTION

- Top constructed of 1 1/8" particleboard with thermo-fused melamine surface on top and bottom
- Thermally fused 3mm PVC edge banding
- Base columns are 3" diameter 16-gauge steel with a gray powder coat finish
- Round steel base with gray powder coat finish
- Adjustable leveling glides

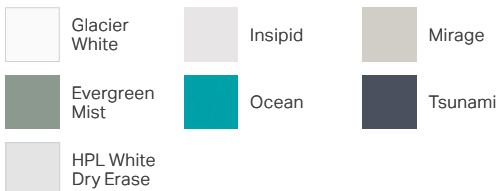
### FINISHES

#### WORKSURFACE LAMINATES

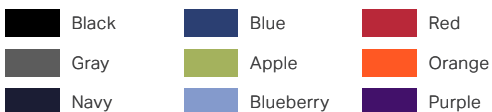
Available with matching edge band except Gray Nebula.



#### DRY ERASE LAMINATES Available with color edge band.



#### OPTIONAL EDGE BAND COLORS

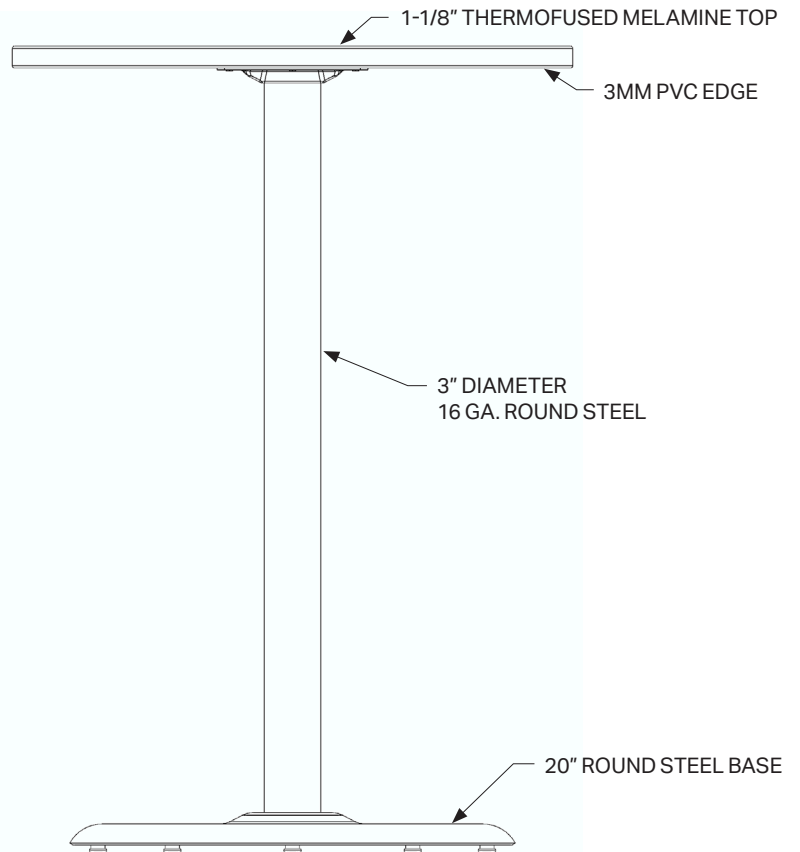
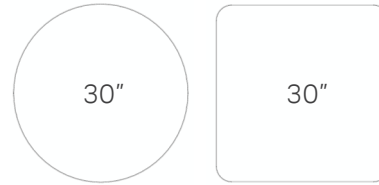


#### METAL LEG OPTIONS



### DIMENSIONS

Model #	Shape	Width	Depth	Height
MG2543-xx-242GY	Round	30"	30"	42"
MG2511-xx-242GY	Square	30"	30"	42"



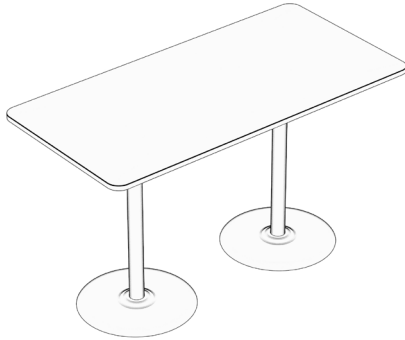
### WARRANTY

10 Year Limited

### CERTIFICATIONS

Worksurfaces are UL Greenguard Gold certified

This specification information is provided for general reference only and is subject to change without notice. While every effort has been made to ensure accuracy, Marco makes no warranties, express or implied, regarding the completeness or correctness of the details presented. Users should always verify specifications with the latest product documentation before making any purchasing decisions.



### CONSTRUCTION

- Top constructed of 1 1/8" particleboard with thermo-fused melamine surface on top and bottom
- Thermally fused 3mm PVC edge banding
- Base columns are 3" diameter 16-gauge steel with a gray powder coat finish
- Round steel base with gray powder coat finish
- Adjustable leveling glides

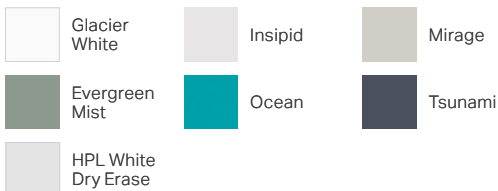
### FINISHES

#### WORKSURFACE LAMINATES

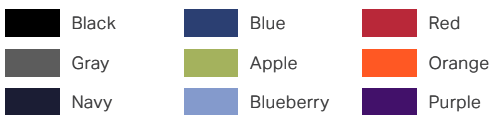
Available with matching edge band except Gray Nebula.



#### DRY ERASE LAMINATES Available with color edge band.



#### OPTIONAL EDGE BAND COLORS

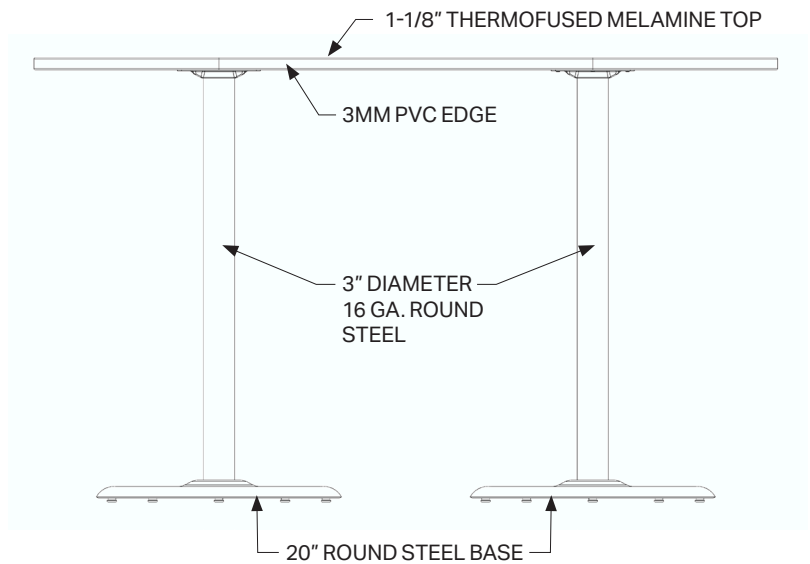
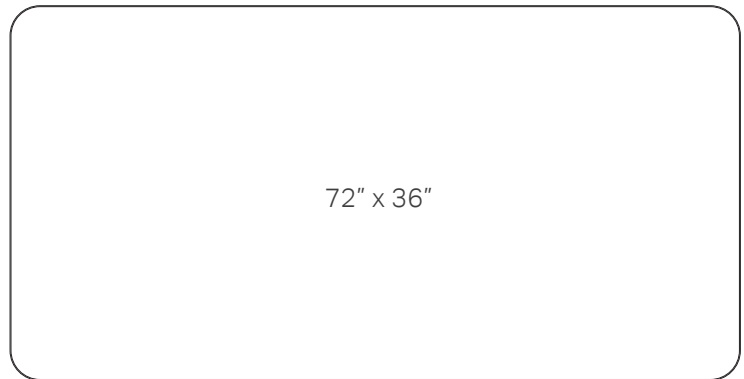


#### METAL LEG OPTIONS



### DIMENSIONS

Model #	Shape	Width	Depth	Height
MG2548-xx-229GY	Rectangle	72"	36"	29"
MG2548-xx-242GY	Rectangle	72"	36"	42"



### WARRANTY

10 Year Limited

### CERTIFICATIONS

Worksurfaces are UL Greenguard Gold certified

This specification information is provided for general reference only and is subject to change without notice. While every effort has been made to ensure accuracy, Marco makes no warranties, express or implied, regarding the completeness or correctness of the details presented. Users should always verify specifications with the latest product documentation before making any purchasing decisions.