

## CONSTRUCTION

- Top constructed of 1 1/8" particleboard with thermo-fused melamine surface on top and bottom
- Thermally fused 3mm PVC edge banding
- Pre-drilled holes for easy leg assembly
- Upper leg constructed of 16-gauge, 2" round steel mounted on a 12-gauge steel plate, fully coated with a durable powder coat finish
- Lower adjustable leg constructed of 16-gauge steel with a chrome-plated finish, tapped at 1" intervals for adjustment from (21" - 31") or (32" - 42") leg heights
- 16-gauge 1" square tubular steel stretcher attached to all tables 54" in length or longer
- Adjustable nylon glides allow for easy for leveling

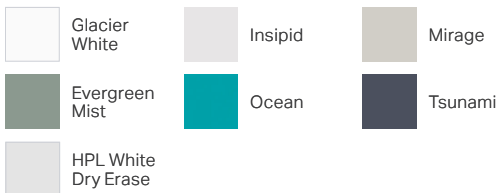
## FINISHES

### WORKSURFACE LAMINATES

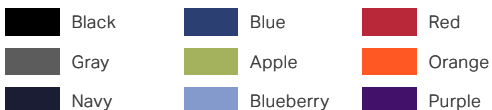
Available with matching edge band except Gray Nebula.



### DRY ERASE LAMINATES Available with color edge band.



### OPTIONAL EDGE BAND COLORS



### METAL LEG OPTIONS



## WARRANTY

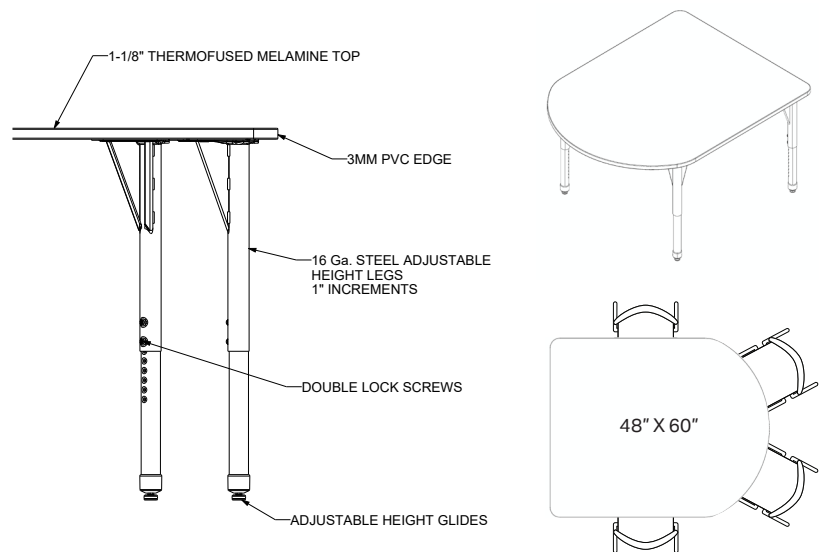
10 Year Limited

## CERTIFICATIONS

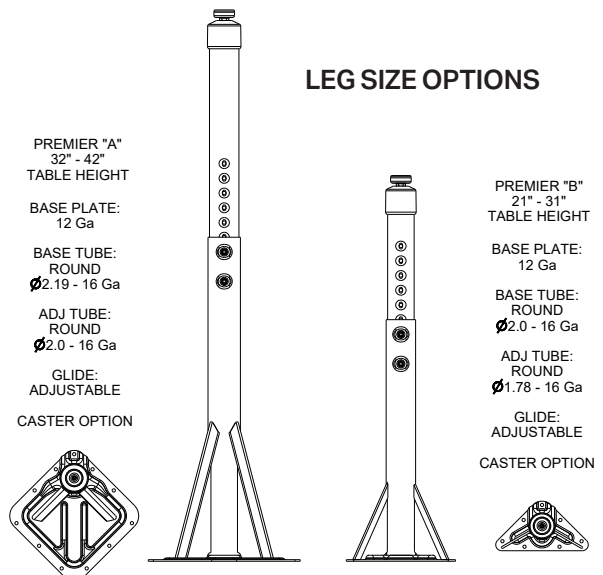
Worksurfaces are UL Greenguard Gold certified

## DIMENSIONS

Model #	Width	Depth	Height
43-2260-xx-A-xx	48"	60"	32" - 42"
43-2260-xx-B-xx	48"	60"	21" - 31"



## LEG SIZE OPTIONS



This specification information is provided for general reference only and is subject to change without notice. While every effort has been made to ensure accuracy, Marco makes no warranties, express or implied, regarding the completeness or correctness of the details presented. Users should always verify specifications with the latest product documentation before making any purchasing decisions.

## CONSTRUCTION

- Top constructed of 1 1/8" particleboard with thermo-fused melamine surface on top and bottom
- Thermally fused 3mm PVC edge banding
- Pre-drilled holes for easy leg assembly
- Upper leg constructed of 16-gauge, 2" round steel mounted on a 12-gauge steel plate, fully coated with a durable powder coat finish
- Lower adjustable leg constructed of 16-gauge steel with a chrome-plated finish, tapped at 1" intervals for adjustment from (21" - 31") or (32" - 42") leg heights
- 16-gauge 1" square tubular steel stretcher attached to all tables 54" in length or longer
- Adjustable nylon glides allow for easy for leveling

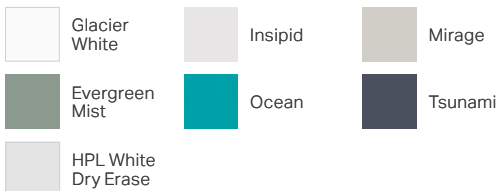
## FINISHES

### WORKSURFACE LAMINATES

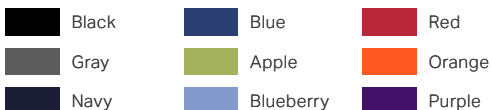
Available with matching edge band except Gray Nebula.



### DRY ERASE LAMINATES Available with color edge band.



### OPTIONAL EDGE BAND COLORS



### METAL LEG OPTIONS



## WARRANTY

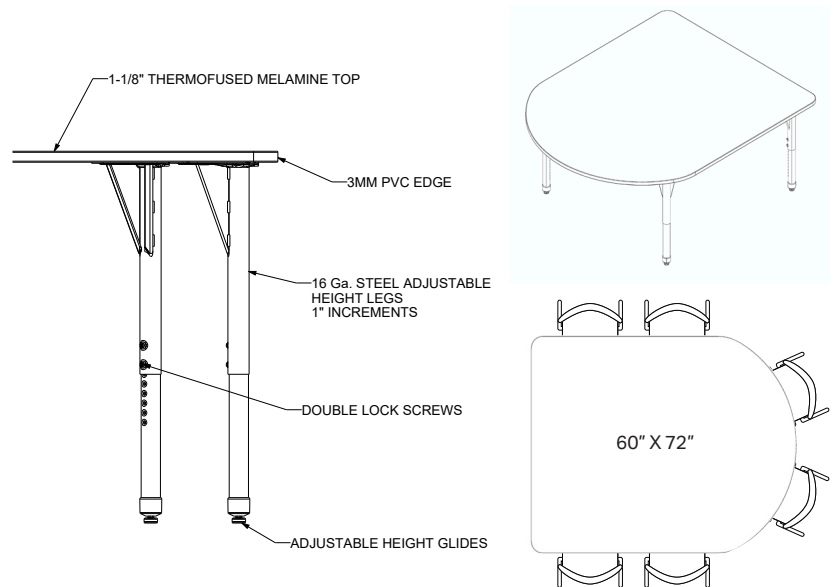
10 Year Limited

## CERTIFICATIONS

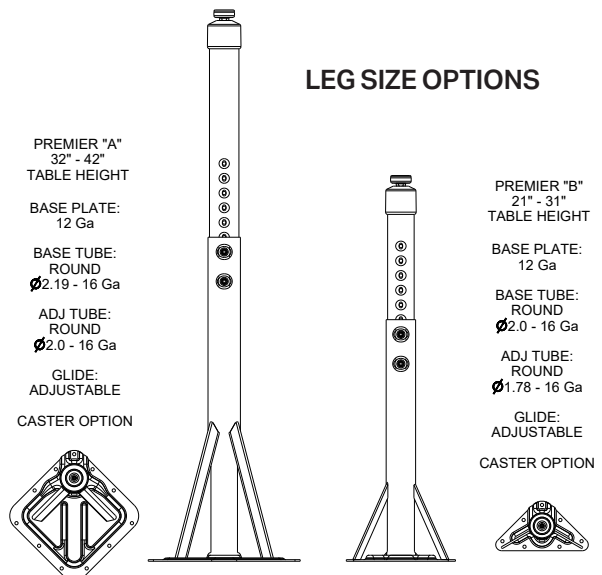
Worksurfaces are UL Greenguard Gold certified

## DIMENSIONS

Model #	Width	Depth	Height
43-2261-xx-A-xx	60"	72"	32"- 42"
43-2261-xx-B-xx	60"	72"	21"- 31"



## LEG SIZE OPTIONS



This specification information is provided for general reference only and is subject to change without notice. While every effort has been made to ensure accuracy, Marco makes no warranties, express or implied, regarding the completeness or correctness of the details presented. Users should always verify specifications with the latest product documentation before making any purchasing decisions.