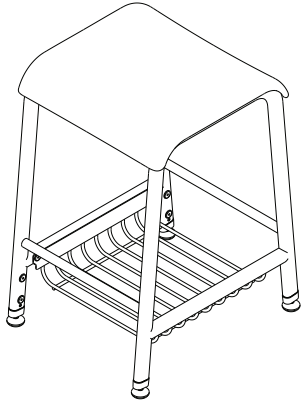




MARCO™

Specification Sheet

MINUTE™ STOOL



DIMENSIONS

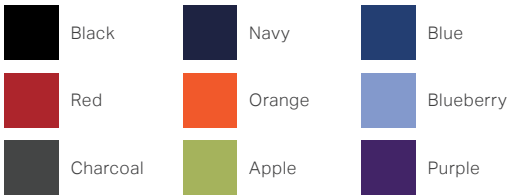
Model	Description	Width	Depth	Height
M002	Minute™ Stool	16"	18.3"	24"- 30"

FEATURES

- Polypropylene seat shell
- Oval shaped steel legs with powder coat finish
- Height adjustable from 24" to 30" seat height
- Steel wire basket with powder coat finish
- Self-leveling nylon glides

FINISHES

STANDARD SEAT COLORS

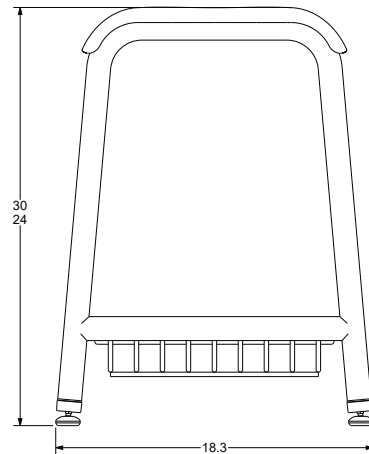
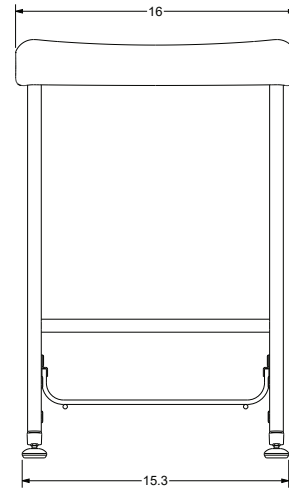
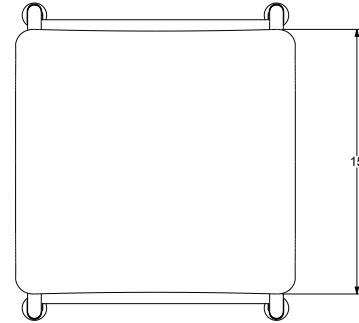


FRAME COLOR



WARRANTY

10 Year Limited



This specification information is provided for general reference only and is subject to change without notice. While every effort has been made to ensure accuracy, Marco makes no warranties, express or implied, regarding the completeness or correctness of the details presented. Users should always verify specifications with the latest product documentation before making any purchasing decisions.