

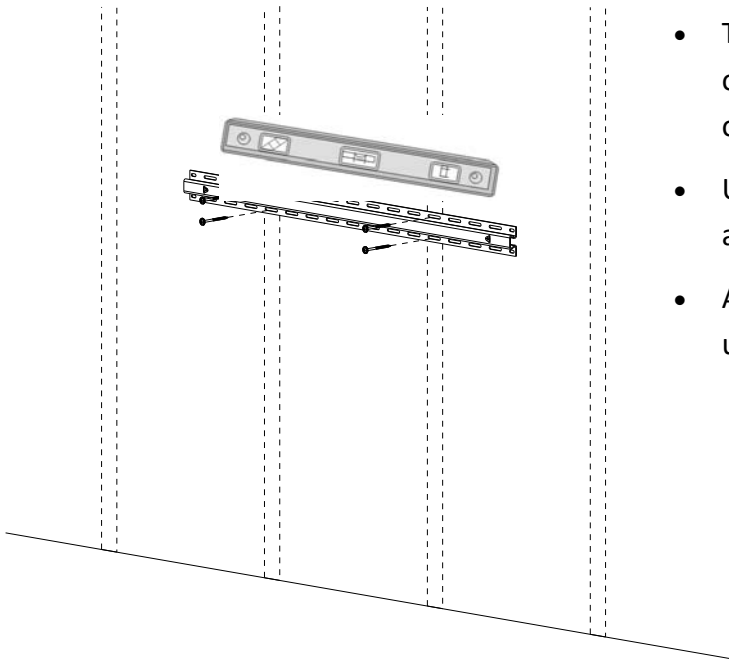


Installation Instructions

#85260

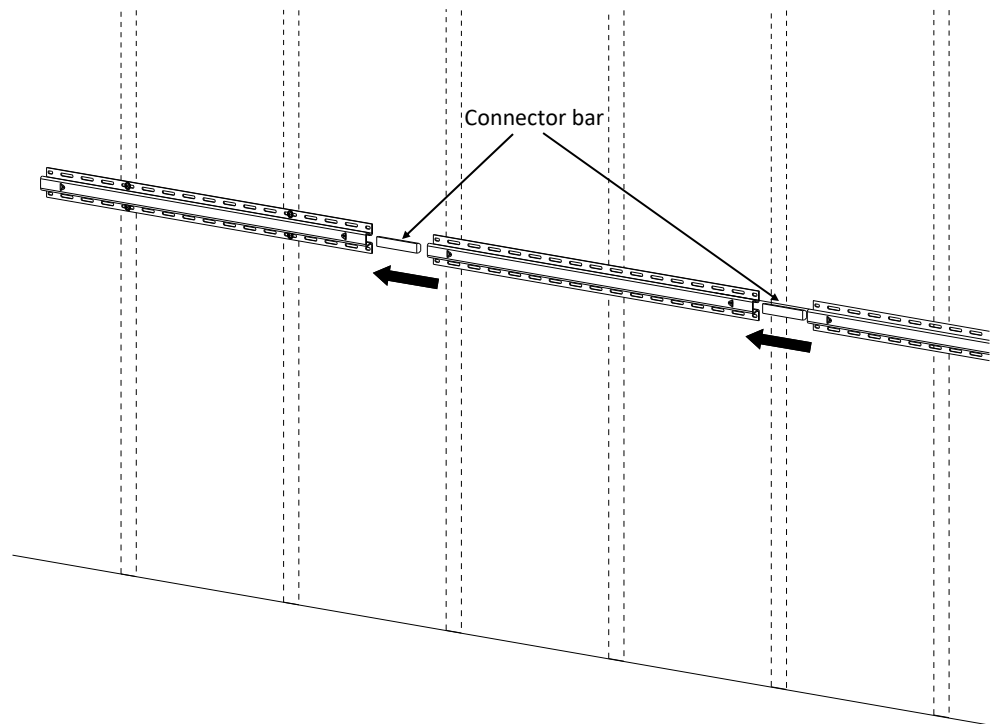
Cabinet Hanging Rail

Rev. 02-20-13



- The cabinet and hanging rail should be installed on a flat wall surface such as drywall, plywood, or other similar substrate.
- Use a level to make sure rail is level before attaching to the wall.
- Attach hanging rail to at least two wall studs using two screws per stud as shown.

- Additional rails can be installed by using the connector bar to align and tie the rails together.
- Attach the additional rails to at least two wall studs using two screws per stud.

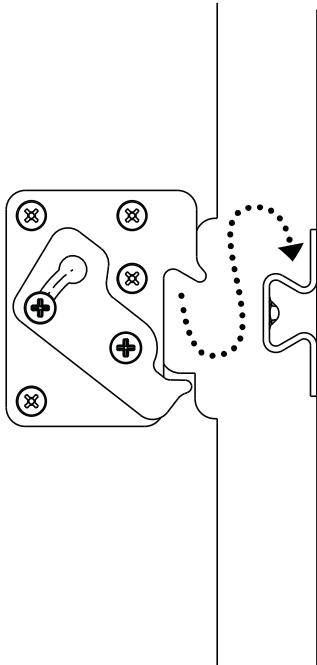


**See reverse side for
cabinet attachment**

Marco Group, Inc.
5400 Doniphan Dr.
Neosho, MO 64850

Customer Service Hours:
Monday-Friday
8:30am to 4:30pm CST
Toll-Free 888-627-2601
(Except holidays)

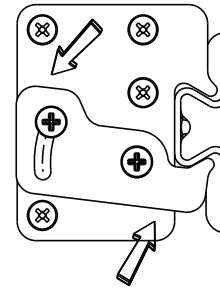
417-455-9663 - Phone
417-455-0057 - Fax



Move the cabinet into position on hanging rail making sure hanging bracket is hooked on top of the rail as shown.

- Move the cabinet into position on hanging rail making sure hanging bracket is hooked on top of the rail as shown.

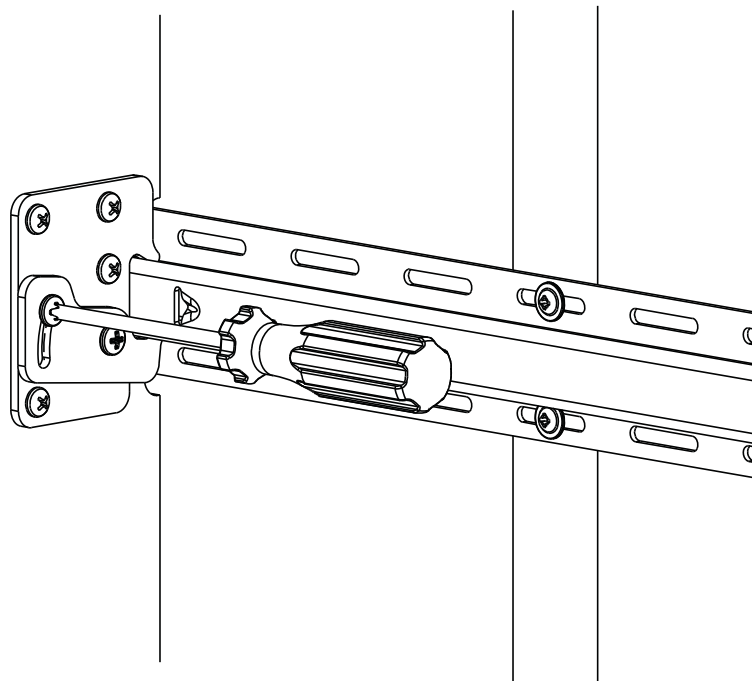
Rotate locking arm.



- Rotate locking arm to engage rail.

- Tighten both screws to secure cabinet to the rail.

- **NOTE:** The cabinet may still slide along the rail after locking. To further secure the cabinet an additional screw should be used through the cabinet back panel into a wall stud to prevent shifting along the rail.



See reverse side for rail attachment