



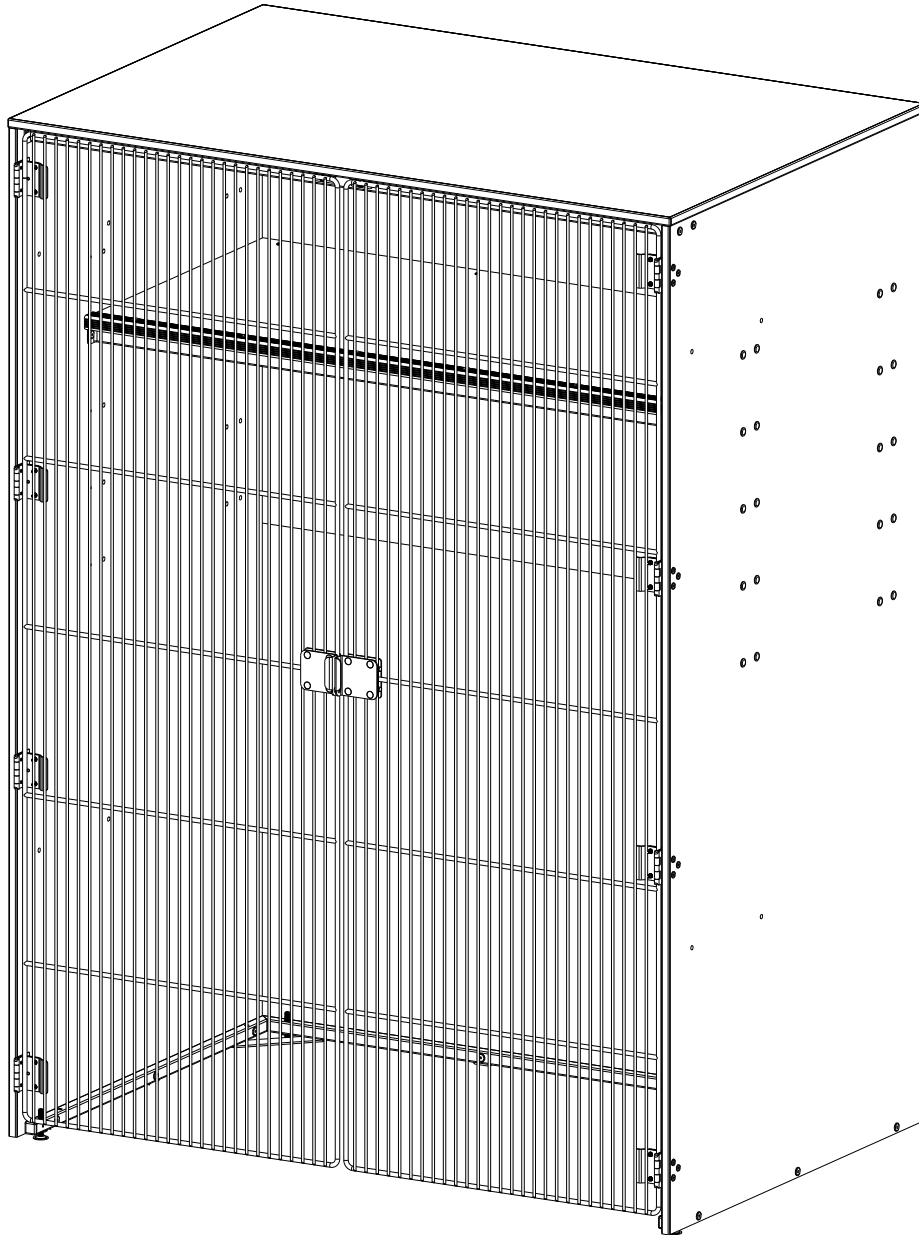
Complete  
Band Storage  
Solutions

# Assembly Instructions

## BS170-4 60" Open Cabinet w/Shelf

#85261

Revised 11/15/22



### Tools needed for assembly:

- #2 Phillips Screwdriver
- 4mm Hex Key (Included)
- 3/16" Hex Key (Included)
- Tape Measure
- Level
- Rubber Mallet

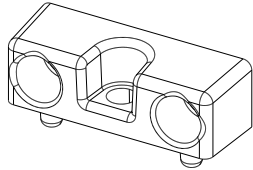


# Assembly Instructions

## BS170-4 60" Open Cabinet w/Shelf

### Fasteners and Hardware

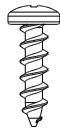
(A) x 21  
Fastener Block



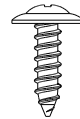
(B) x 63  
Fastener Block Screw



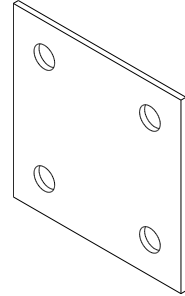
(C) x 18  
#8 x 5/8" Screw



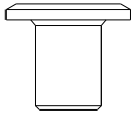
(D) x 8  
#8 x 5/8" Truss Screw



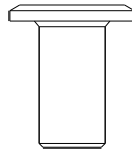
(E) x 2  
Joint Plate



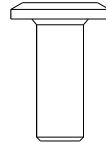
(F) x 8  
1/4"-20 x 12mm Cap Nut



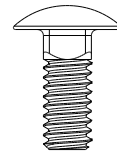
(G) x 20  
1/4"-20 x 17mm Cap Nut



(H) x 24  
#10-24 x 16mm Cap Nut



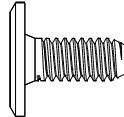
(J) x 8  
1/4"-20 x 5/8" Carriage Bolt



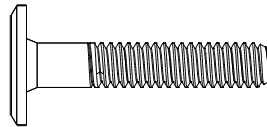
(K) x 40  
#10-24 x 5/8" Screw



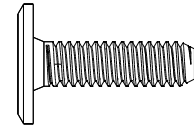
(L) x 12  
1/4"-20 x 15mm Bolt



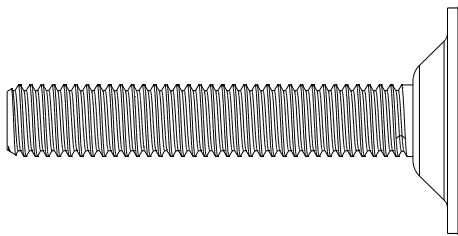
(M) x 10  
1/4"-20 x 35mm Bolt



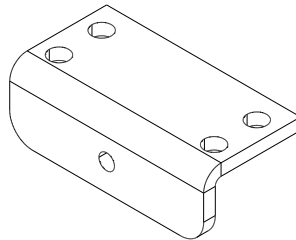
(N) x 6  
1/4"-20 x 23mm Bolt



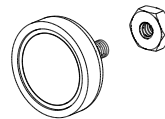
(O) x 4  
M10 x 60mm Adjuster



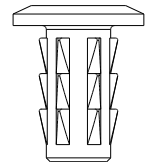
(P) x 2  
Magnet Bracket



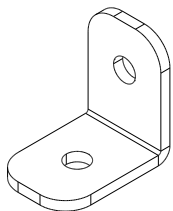
(Q) x 2  
Magnet



(R) x 40  
1/4"-20 Cap Nut w/Barb



(S) x 6  
Angle Bracket



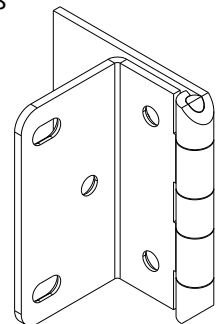
(T) x 6  
#8 x 5/8" Screw



(V) x 8  
#10-24 Flange Nut



(W) x 8  
Hinge



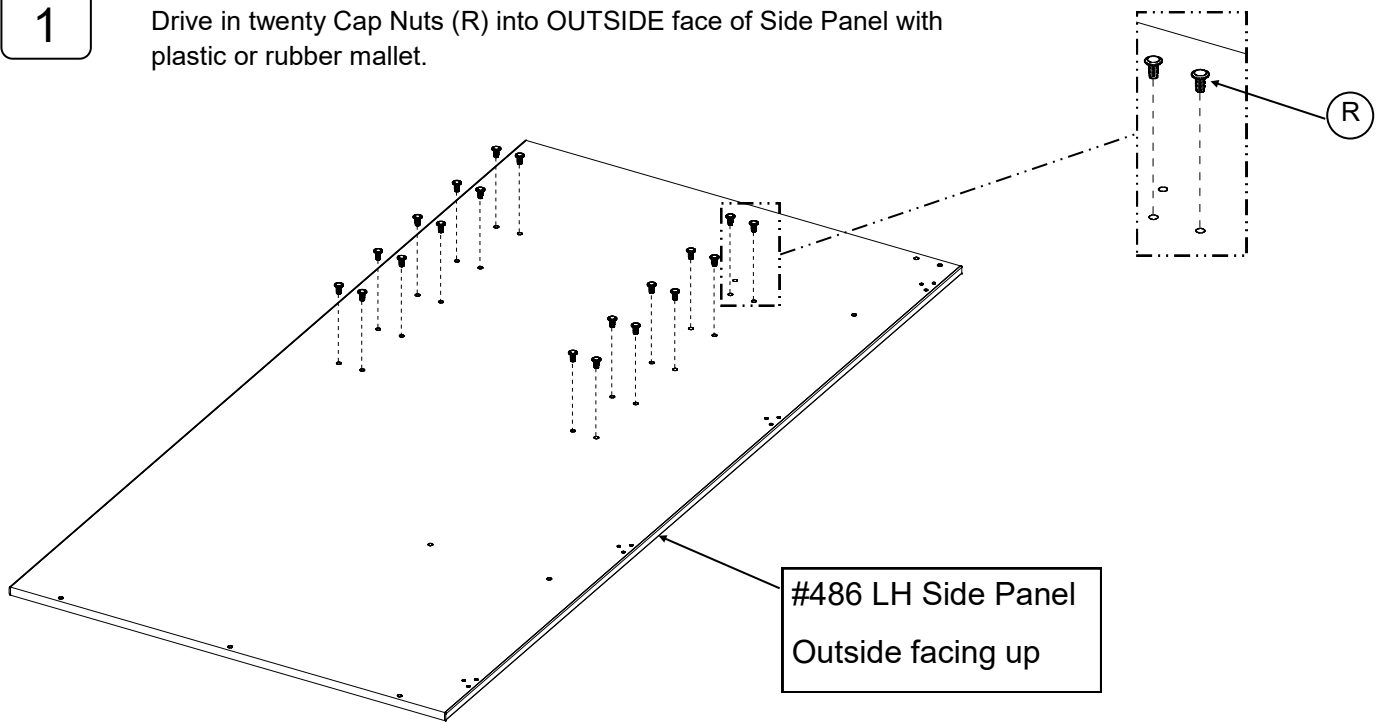


# Assembly Instructions

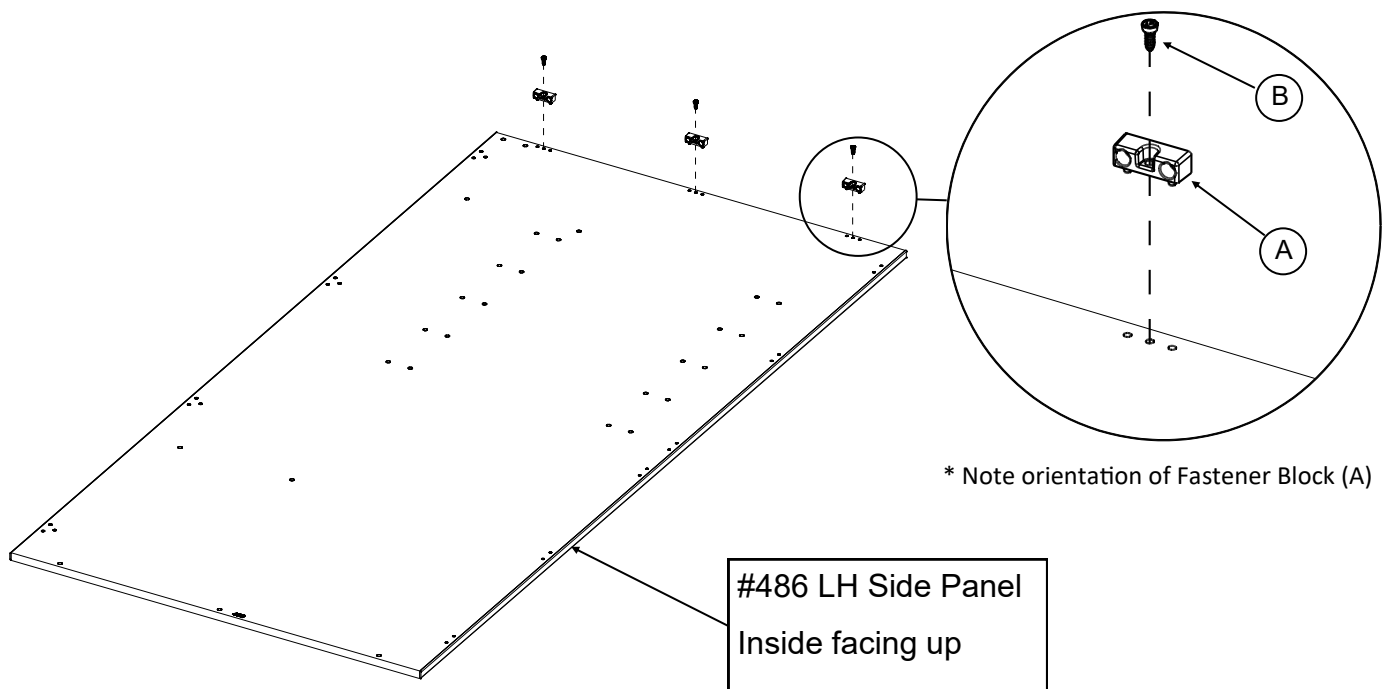
## BS170-4 60" Open Cabinet w/Shelf

1

Drive in twenty Cap Nuts (R) into OUTSIDE face of Side Panel with plastic or rubber mallet.



2

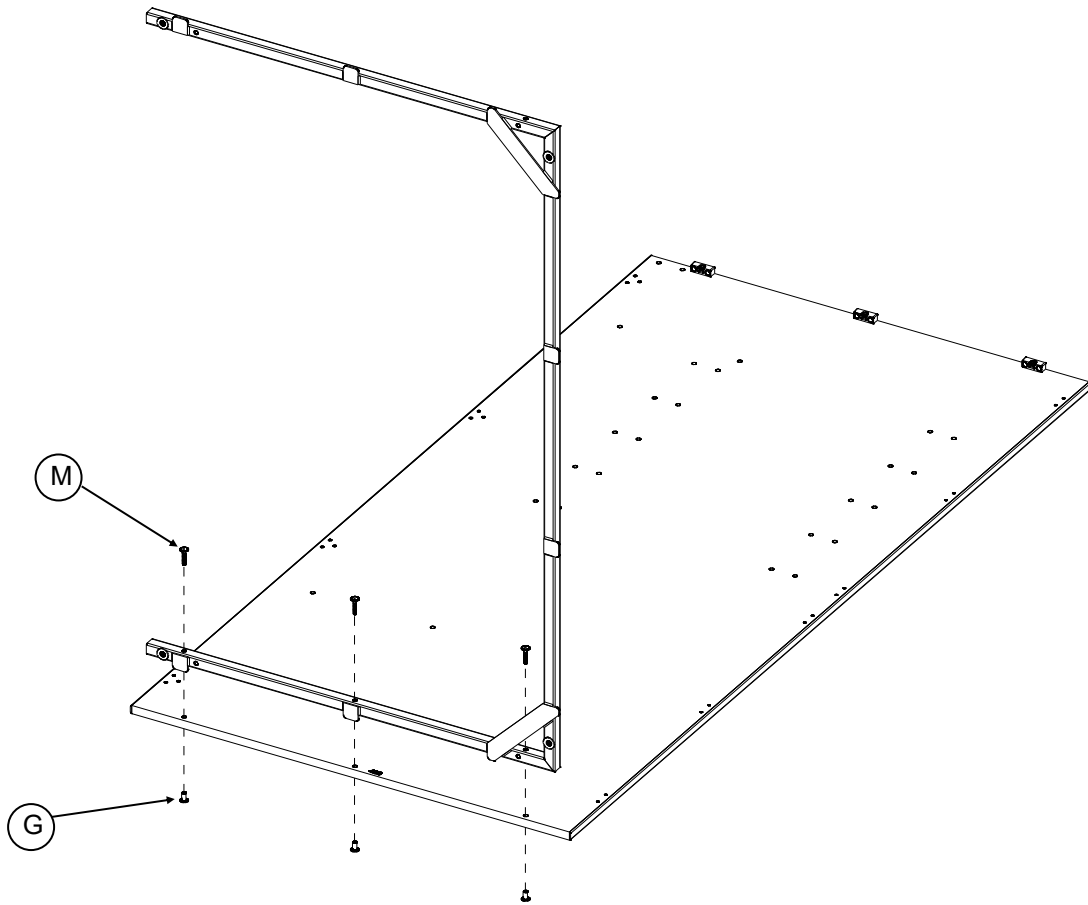




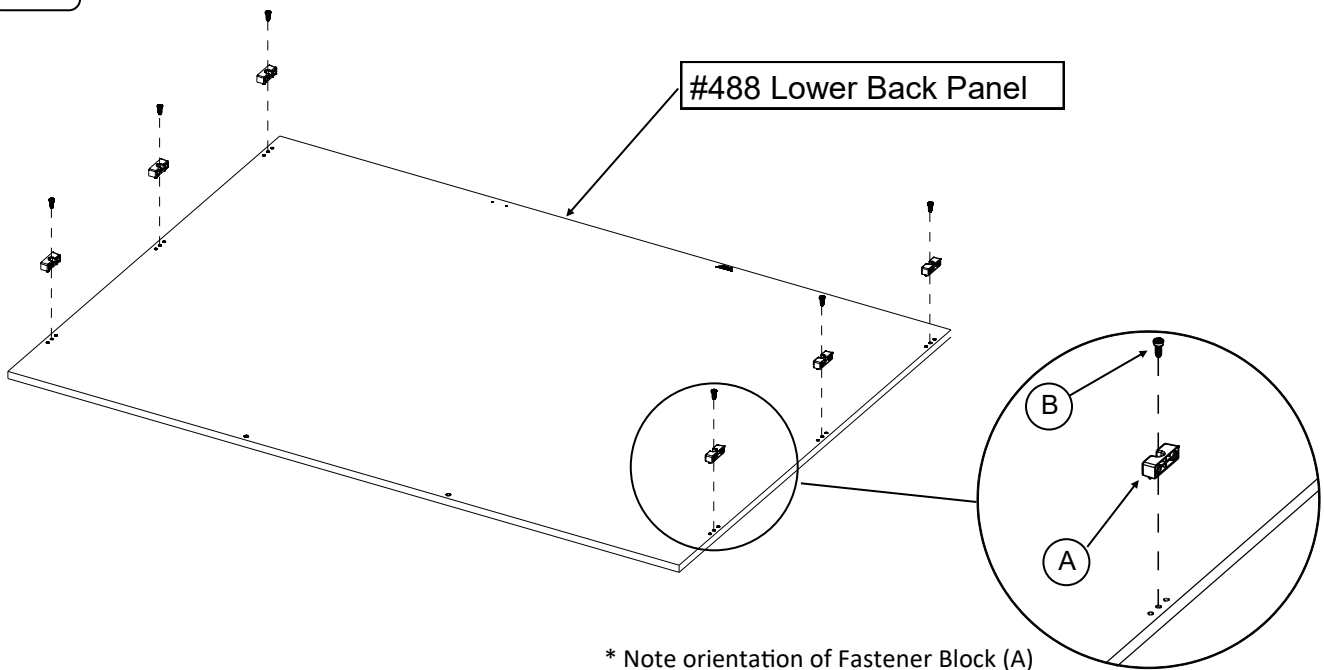
# Assembly Instructions

## BS170-4 60" Open Cabinet w/Shelf

3



4



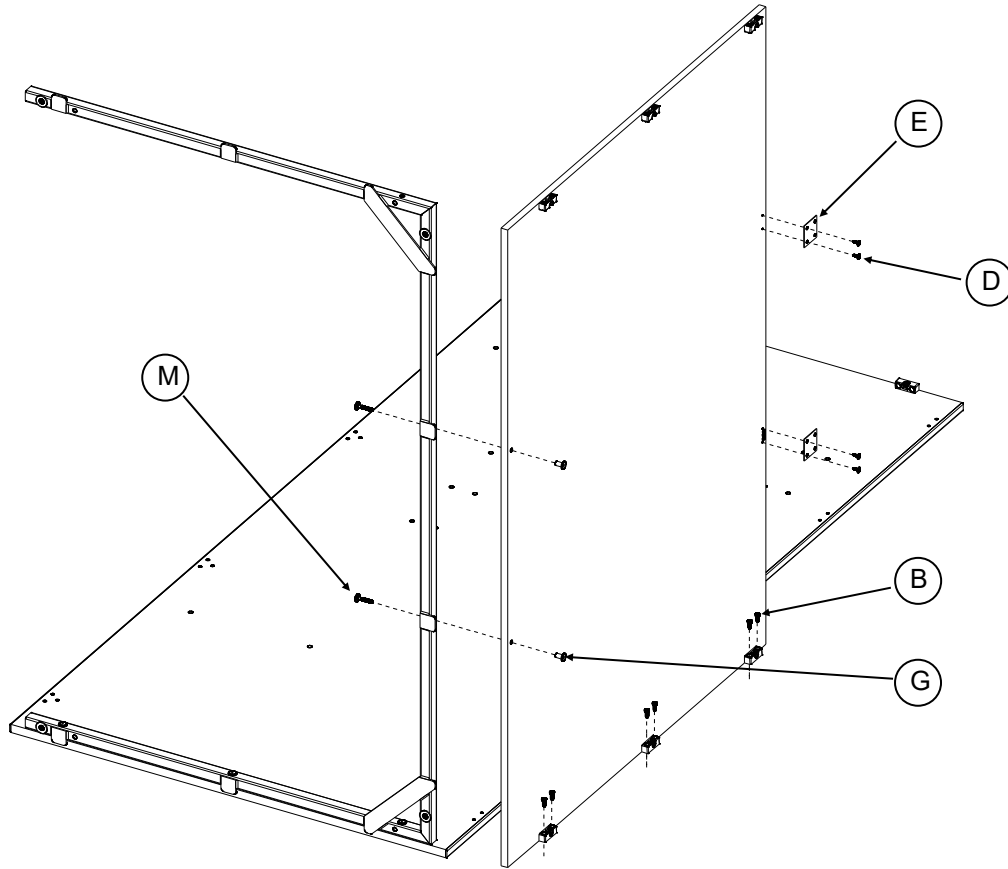
\* Note orientation of Fastener Block (A)



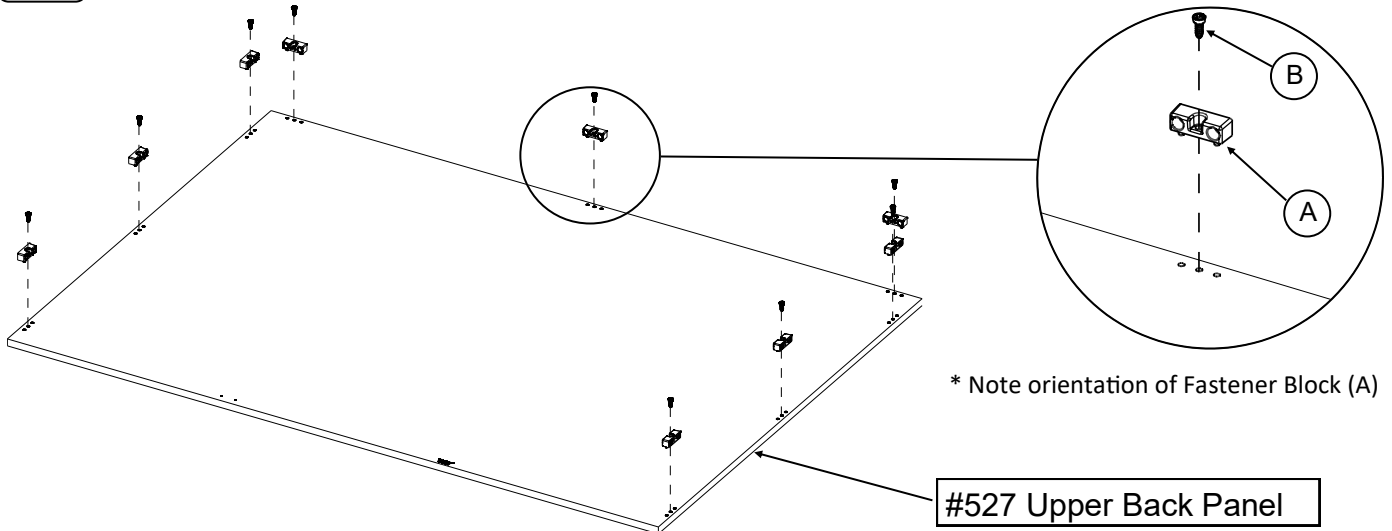
# Assembly Instructions

## BS170-4 60" Open Cabinet w/Shelf

5



6





Complete  
Band Storage  
Solutions

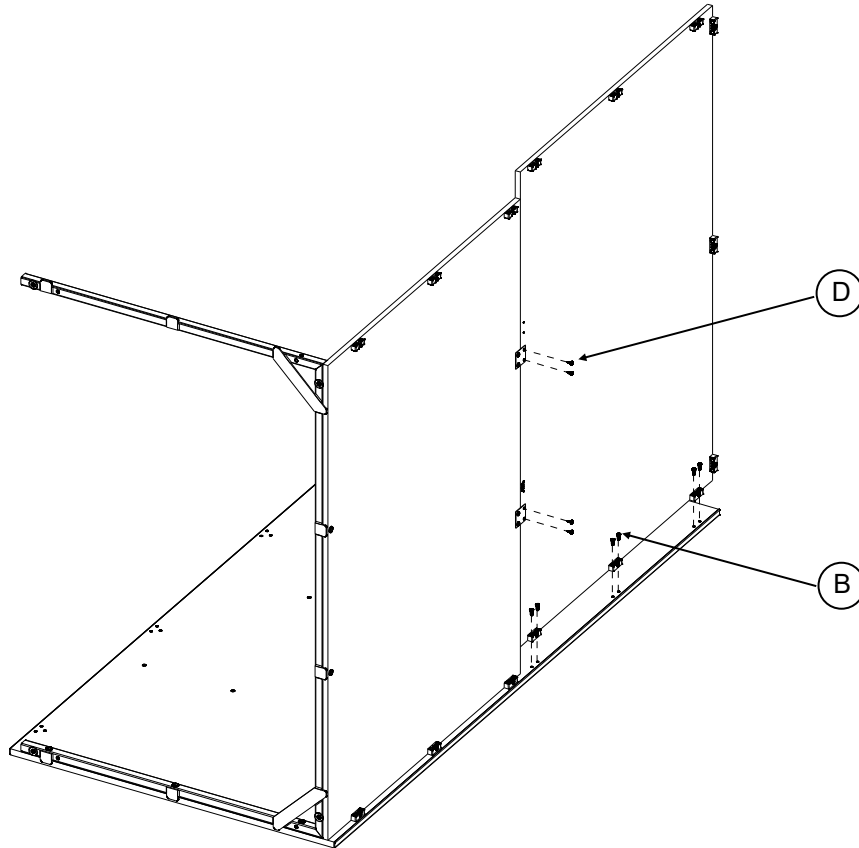
# Assembly Instructions

## BS170-4 60" Open Cabinet w/Shelf

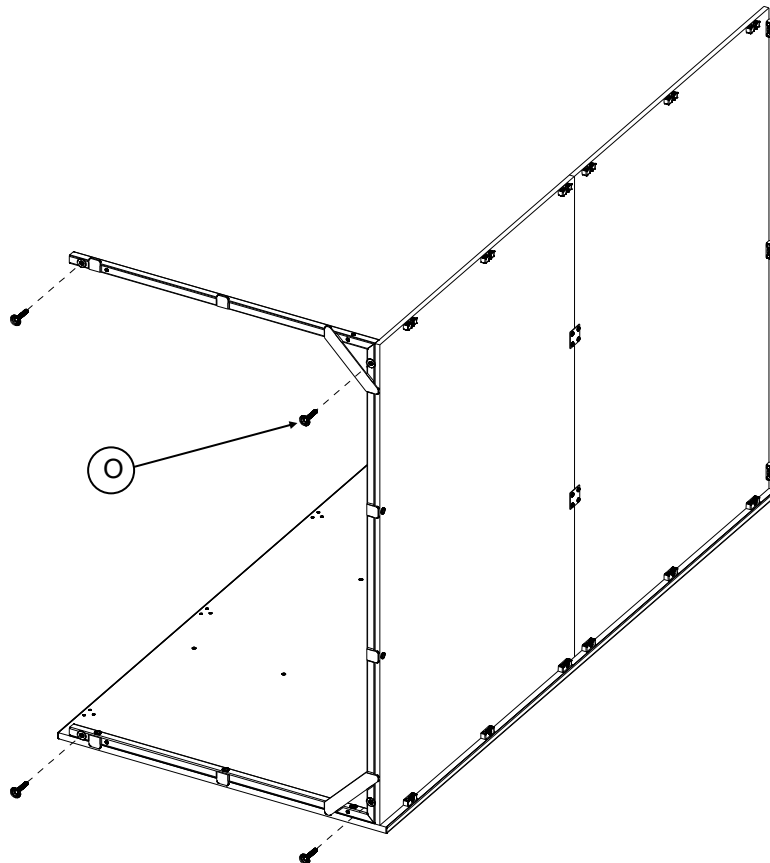
#85261

Revised 11/15/22

7



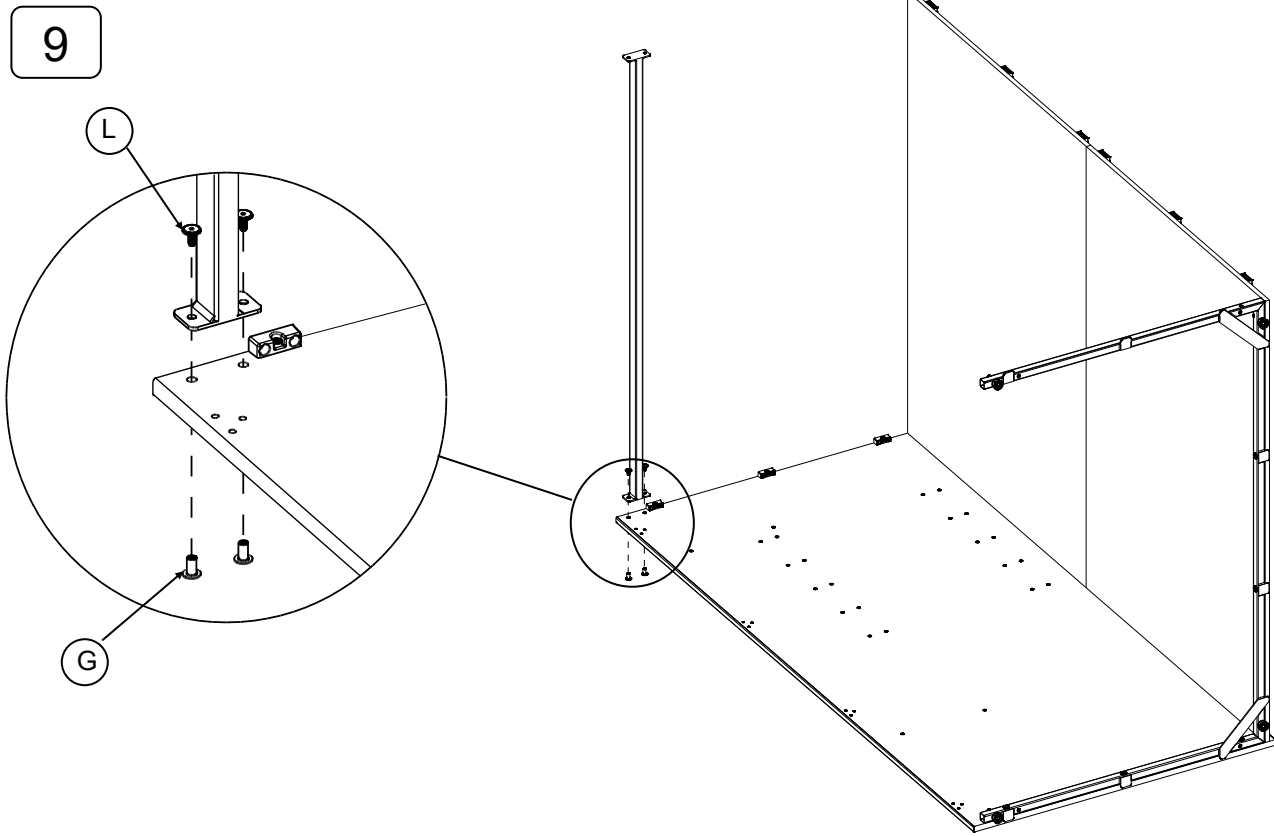
8



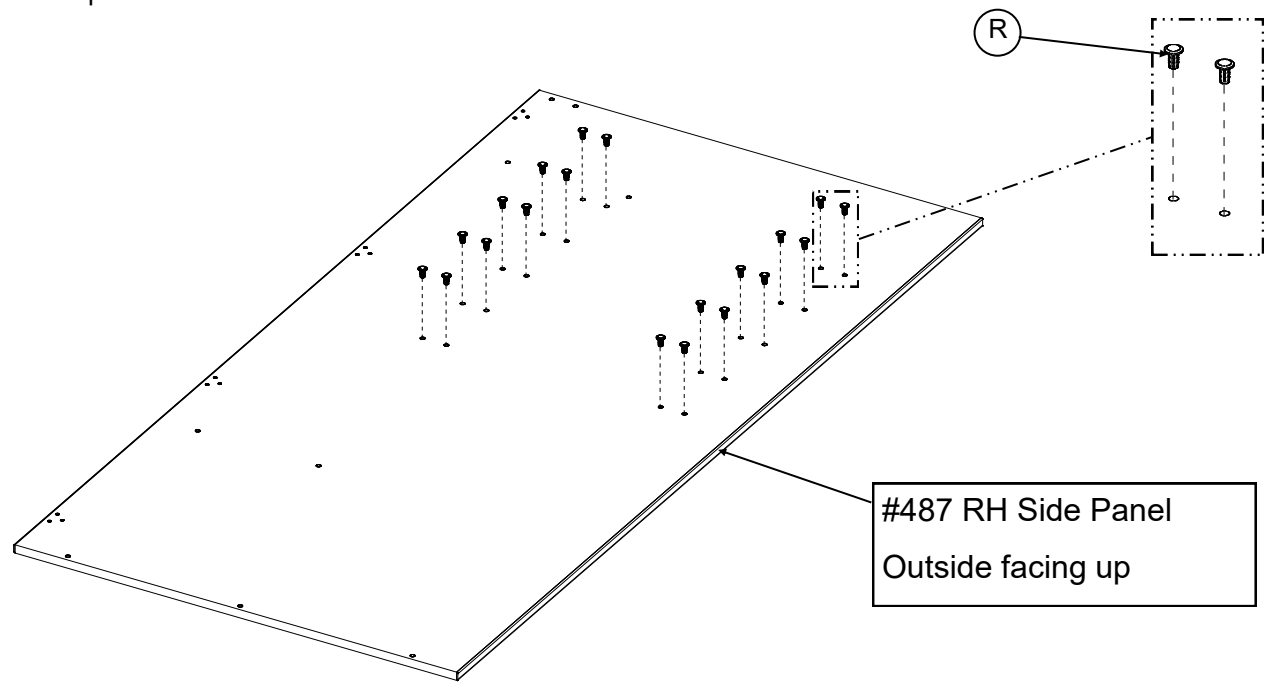


# Assembly Instructions

## BS170-4 60" Open Cabinet w/Shelf



**10** Drive in twenty Cap Nuts (R) into OUTSIDE face of Side Panel with plastic or rubber mallet.

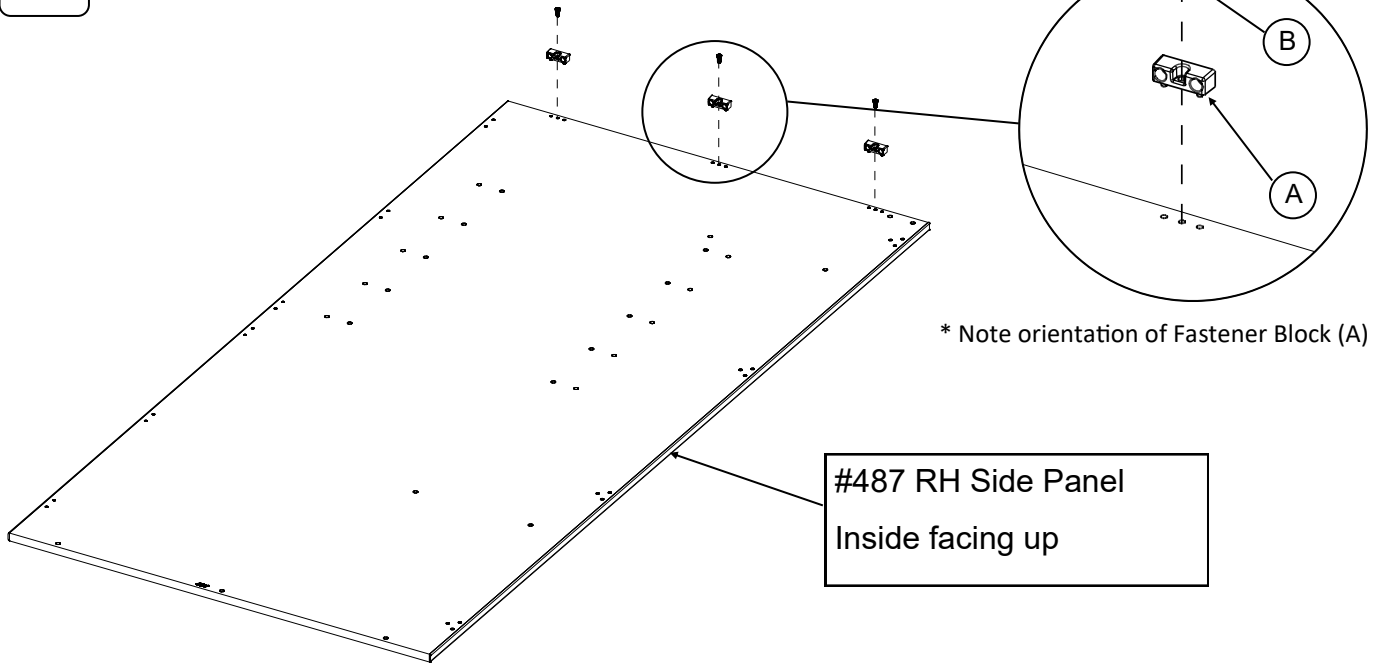




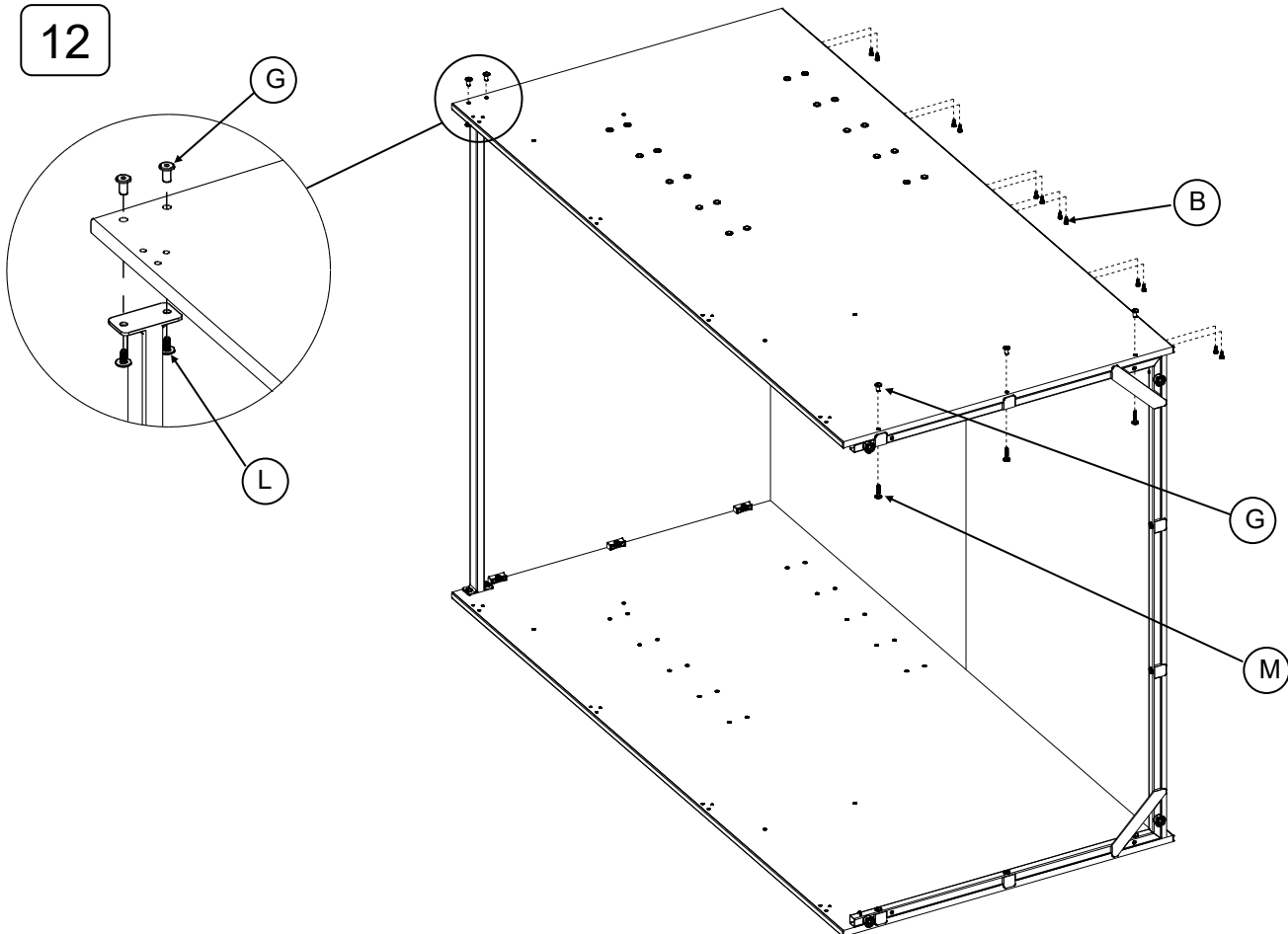
# Assembly Instructions

## BS170-4 60" Open Cabinet w/Shelf

11



12

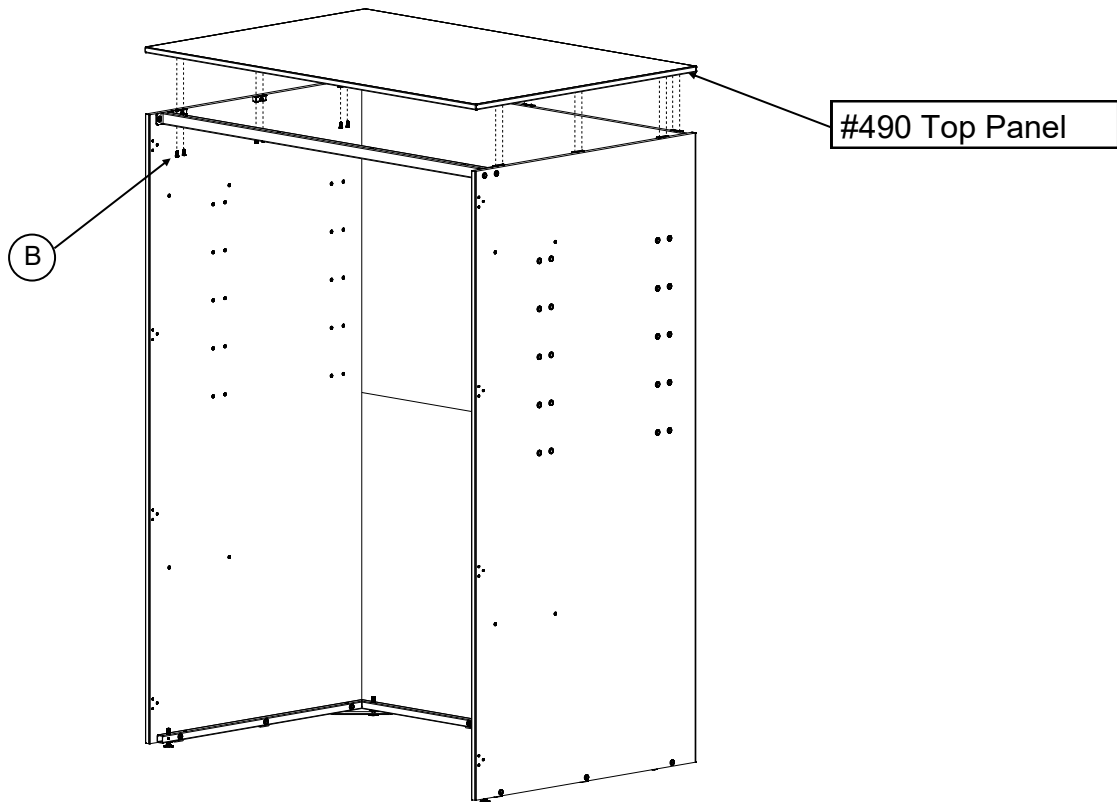




# Assembly Instructions

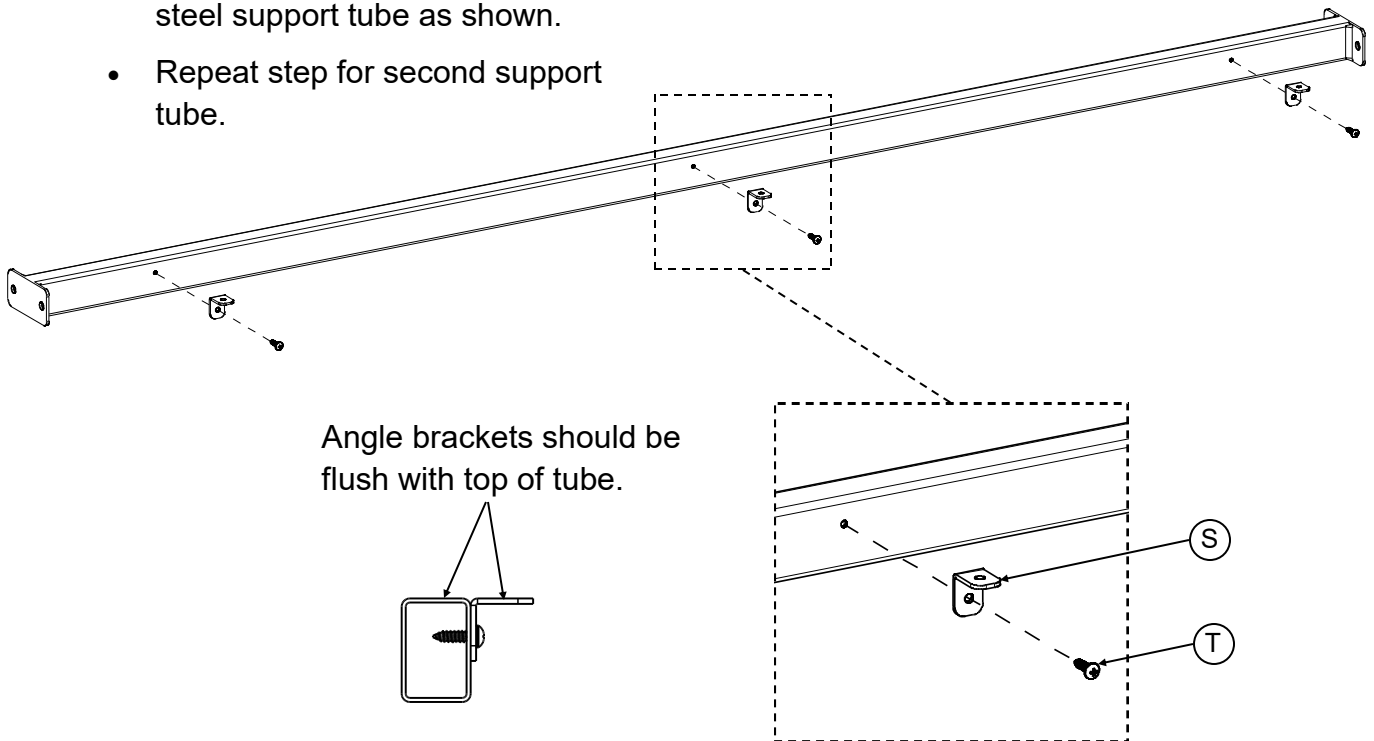
## BS170-4 60" Open Cabinet w/Shelf

13



14

- Attach angle brackets (S) to steel support tube as shown.
- Repeat step for second support tube.

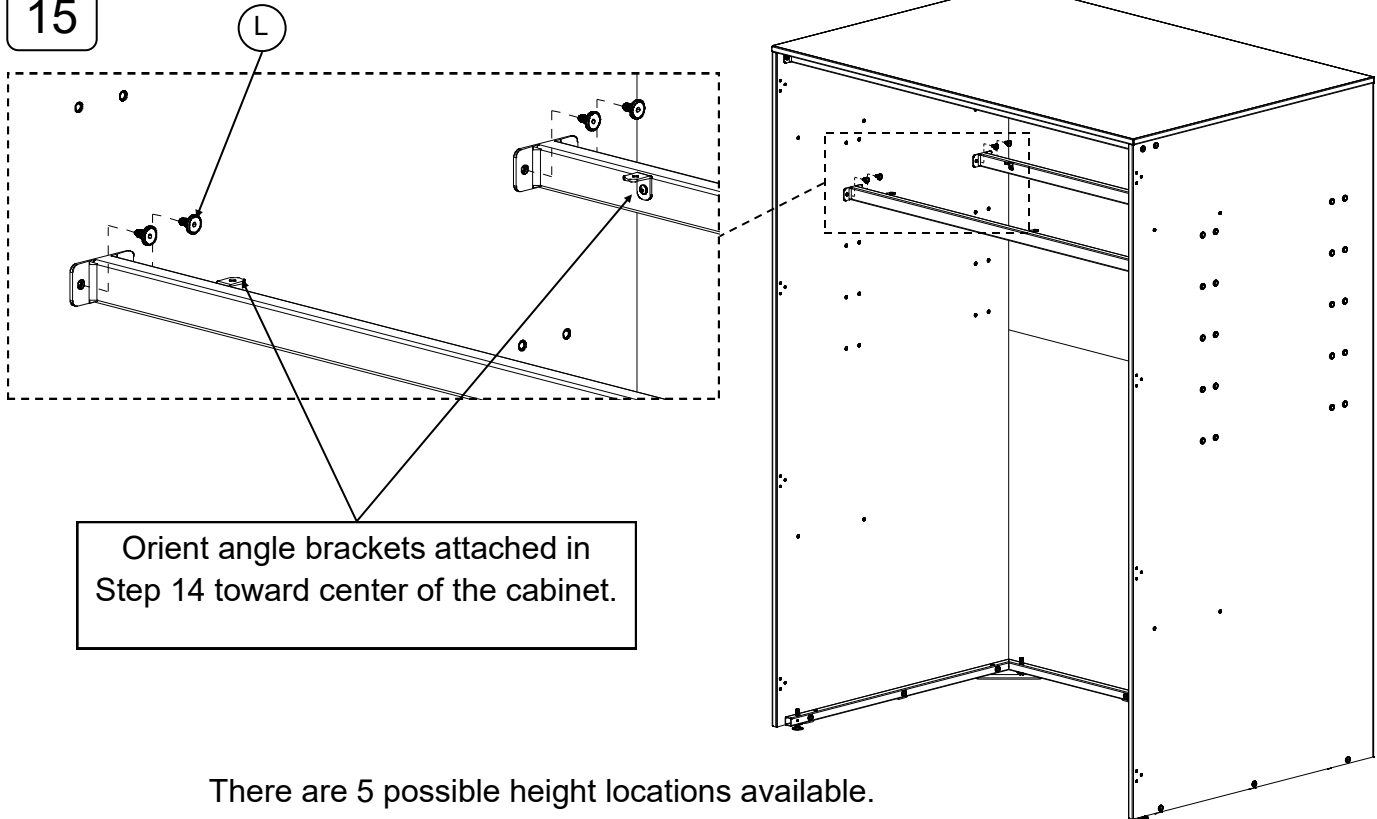




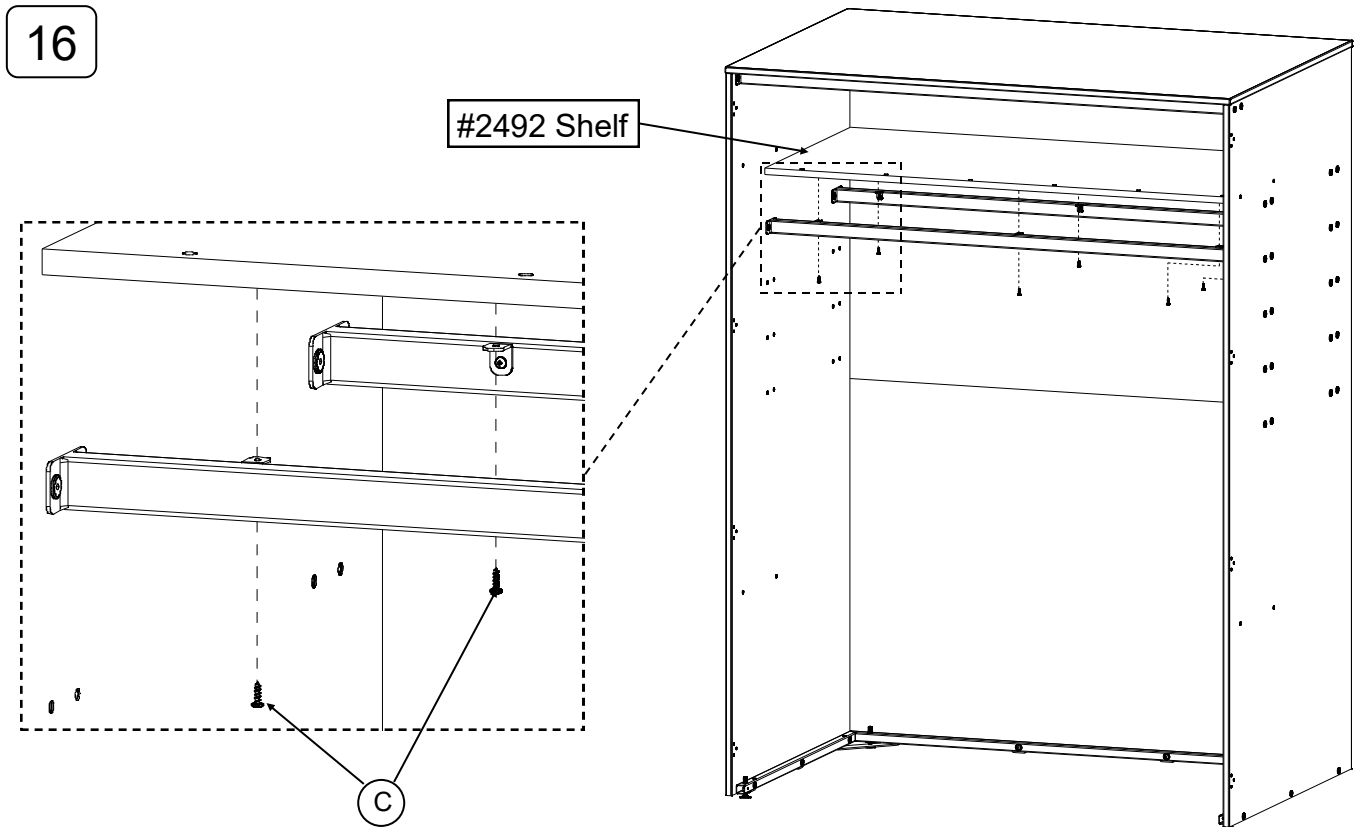
# Assembly Instructions

## BS170-4 60" Open Cabinet w/Shelf

15



16

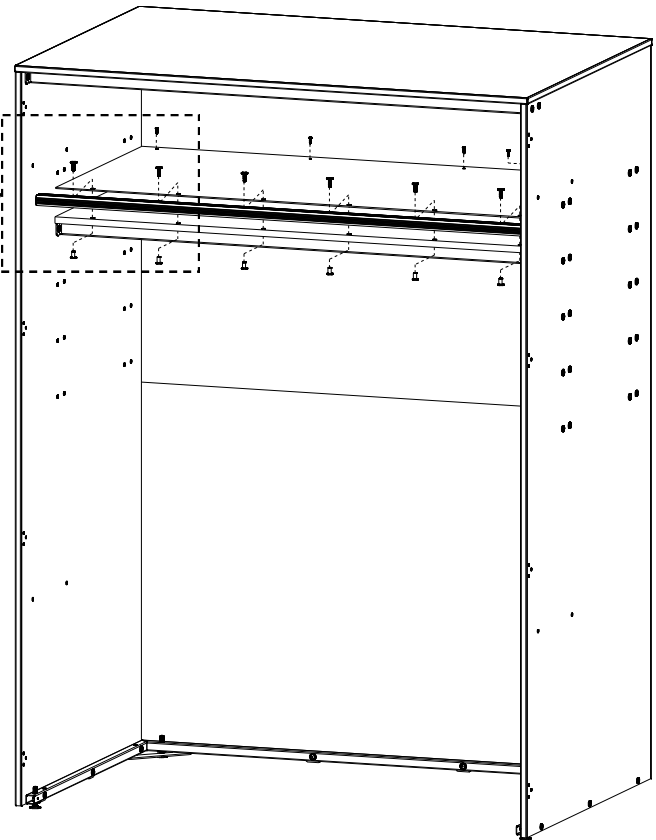
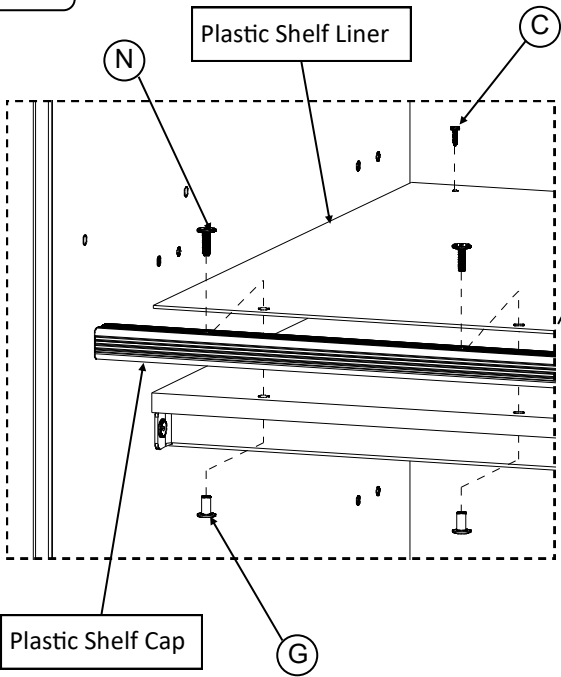




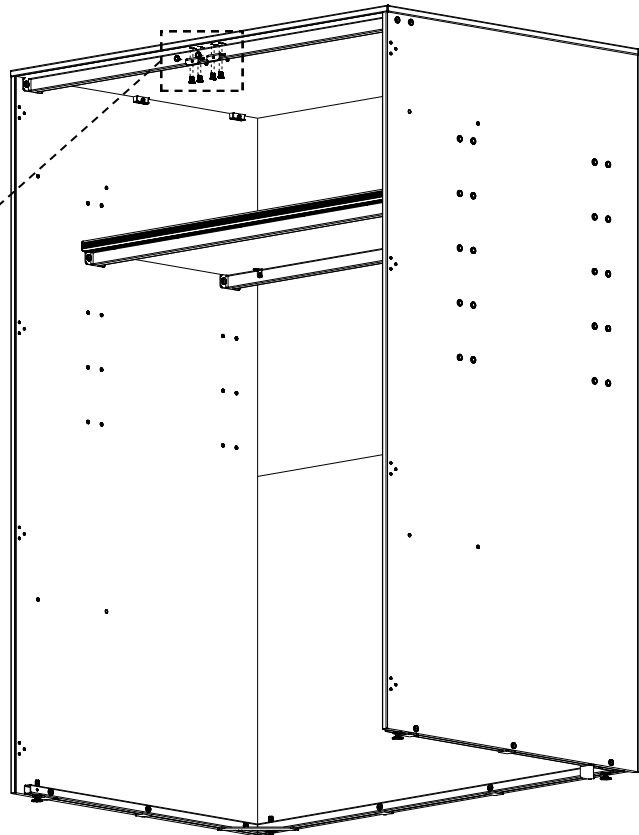
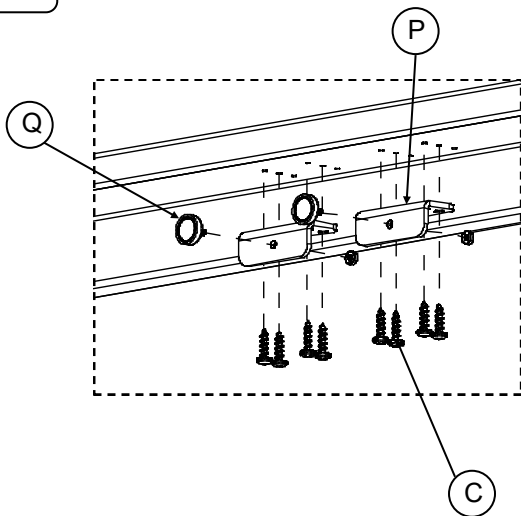
# Assembly Instructions

## BS170-4 60" Open Cabinet w/Shelf

17



18

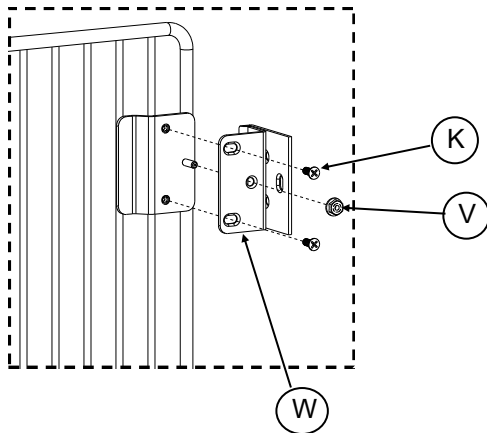




# Assembly Instructions

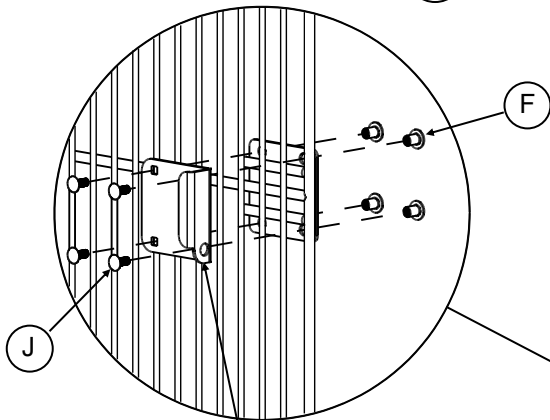
## BS170-4 60" Open Cabinet w/Shelf

19

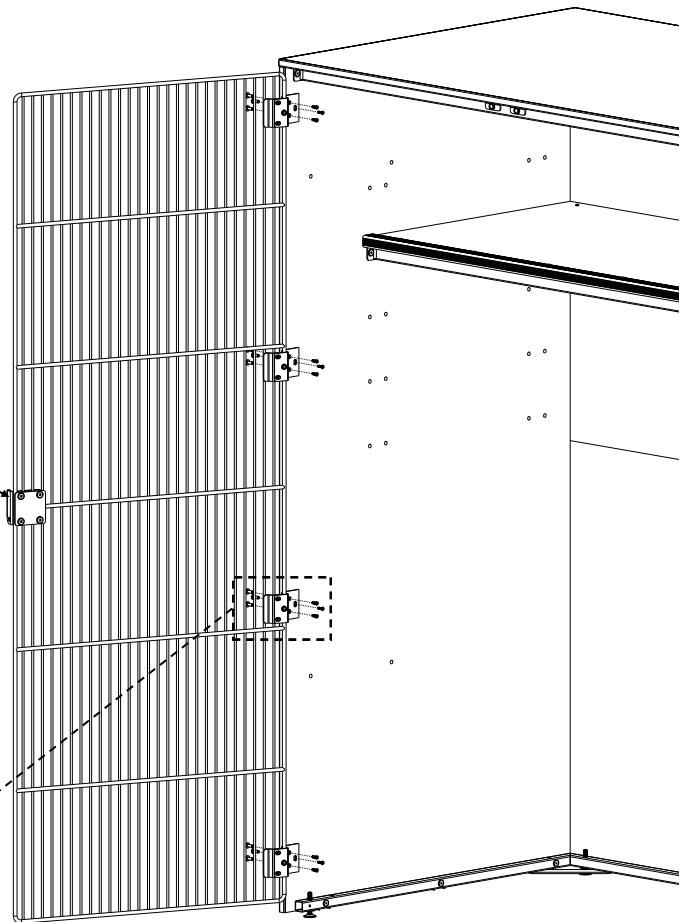
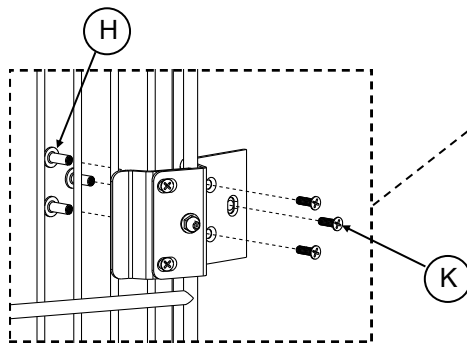


Attach four hinges (W) to door as shown using two screws (K) and one nut (V) per hinge.

Repeat for other door.



LH Door Handle with  
hasp hole toward bottom  
as shown—RH opposite



LH shown—Repeat  
for RH Door

After assembly and placed in desired location the cabinet should be checked for square and level using the 4 leveling feet. Cabinet may be attached to adjacent cabinets or be used freestanding. If freestanding, the cabinet should be anchored to the floor using suitable floor anchors (not included). Before anchoring make sure cabinet is square, level, and that doors open and close properly.