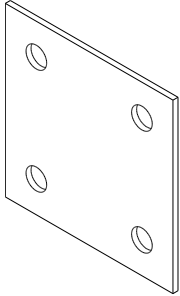
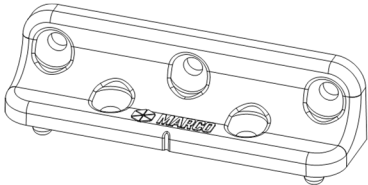

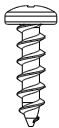
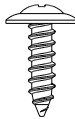
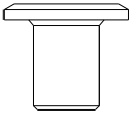
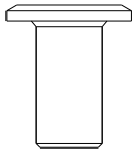
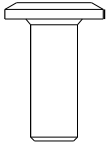
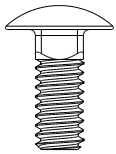

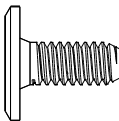
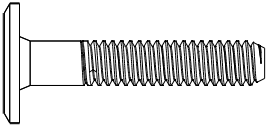
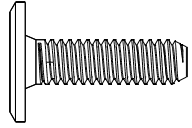
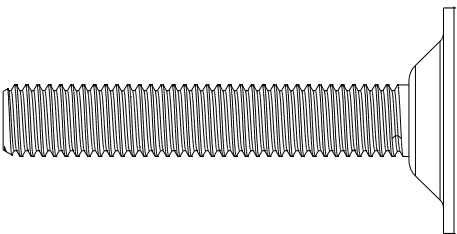
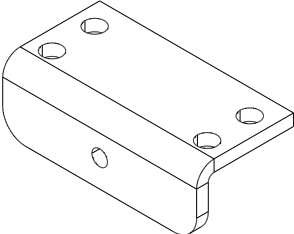
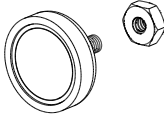
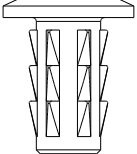
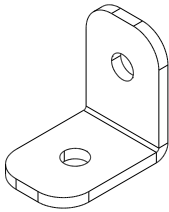
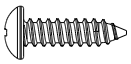
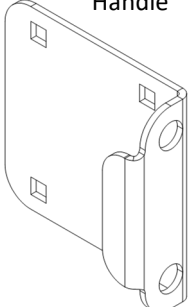

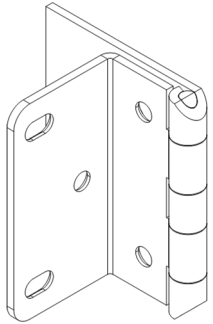
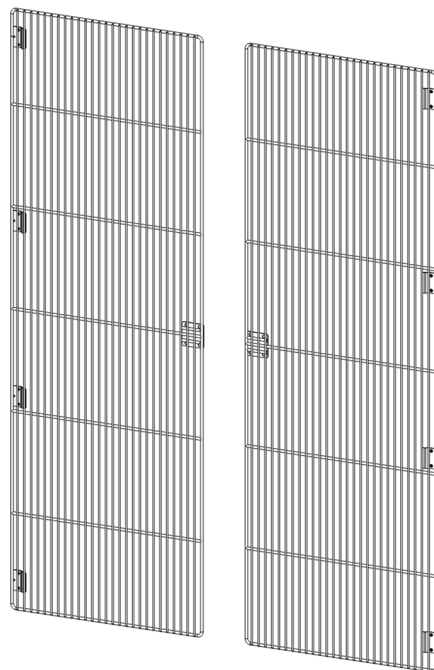
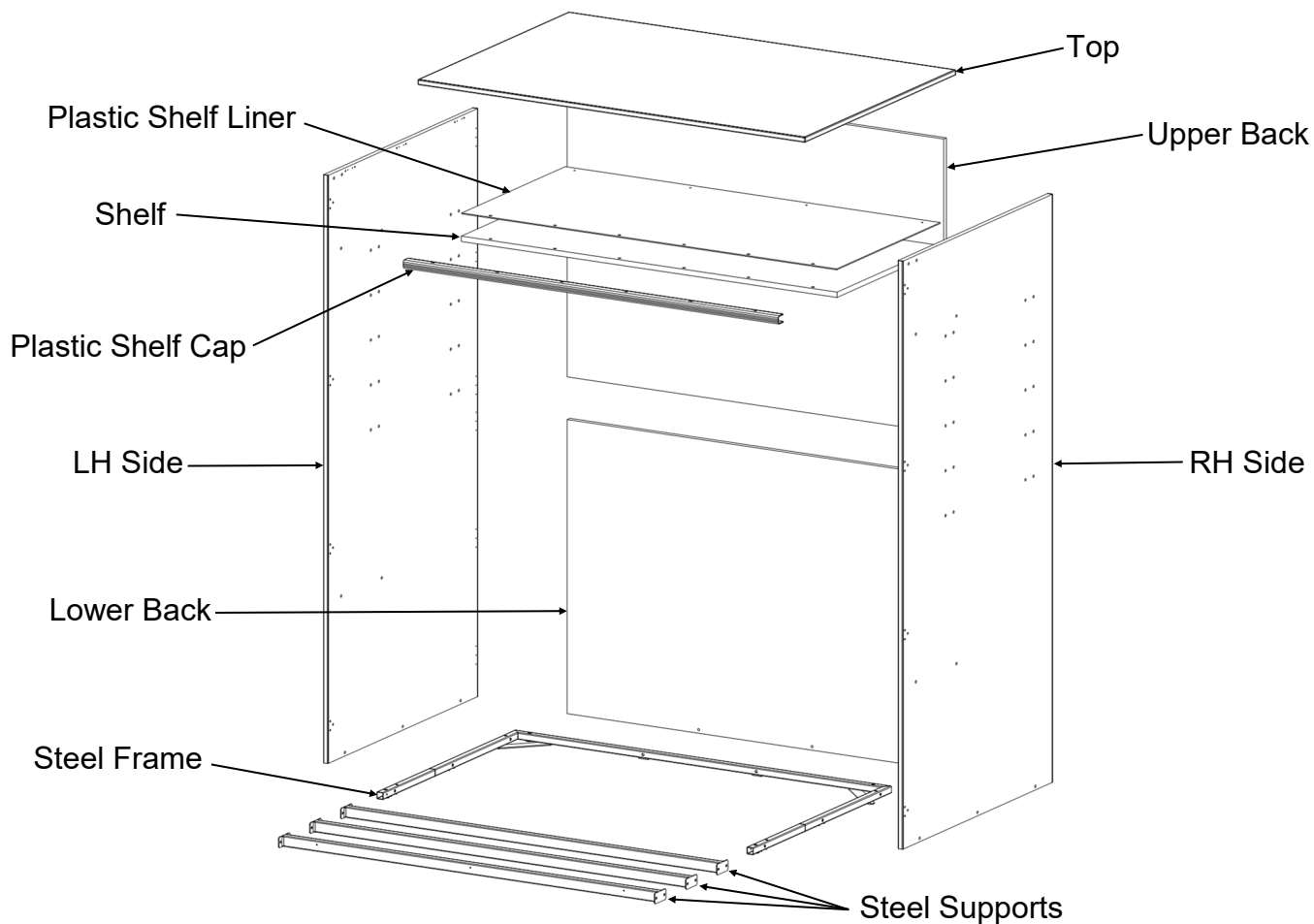


Tools needed for assembly:

- #2 Phillips Screwdriver
- 4mm Hex Key (Included)
- 3/16" Hex Key (Included)
- Tape Measure
- Level
- Rubber Mallet

Fasteners and Hardware

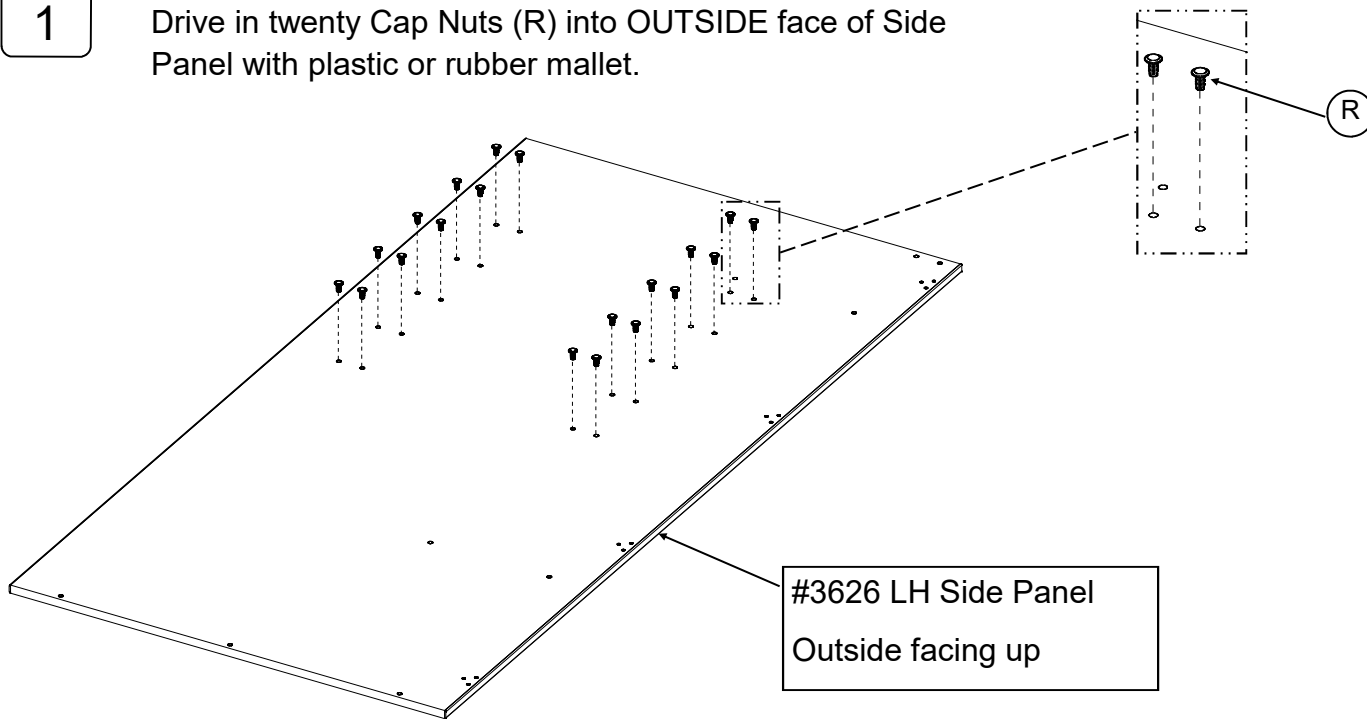
				(E) x 2 Joint Plate
(A) x 21 Fastener Block	(B) x 105 Fastener Block Screw	(C) x 18 #8 x 5/8" Screw	(D) x 8 #8 x 5/8" Truss Screw	
				
<hr/>				
(F) x 8 1/4"-20 x 12mm Cap Nut	(G) x 20 1/4"-20 x 17mm Cap Nut	(H) x 24 #10-24 x 16mm Cap Nut	(J) x 8 1/4"-20 x 5/8" Carriage Bolt	
				
<hr/>				
(K) x 40 #10-24 x 5/8" Screw	(L) x 12 1/4"-20 x 15mm Bolt	(M) x 10 1/4"-20 x 35mm Bolt	(N) x 6 1/4"-20 x 23mm Bolt	
				
<hr/>				
(O) x 4 M10 x 60mm Adjuster	(P) x 2 Magnet Bracket	(Q) x 2 Magnet	(R) x 40 1/4"-20 Cap Nut w/Barb	
				
<hr/>				
(S) x 6 Angle Bracket	(T) x 6 #8 x 5/8" Screw	(U) x 2 Handle	(V) x 8 #10-24 Flange Nut	(W) x 8 Hinge
				



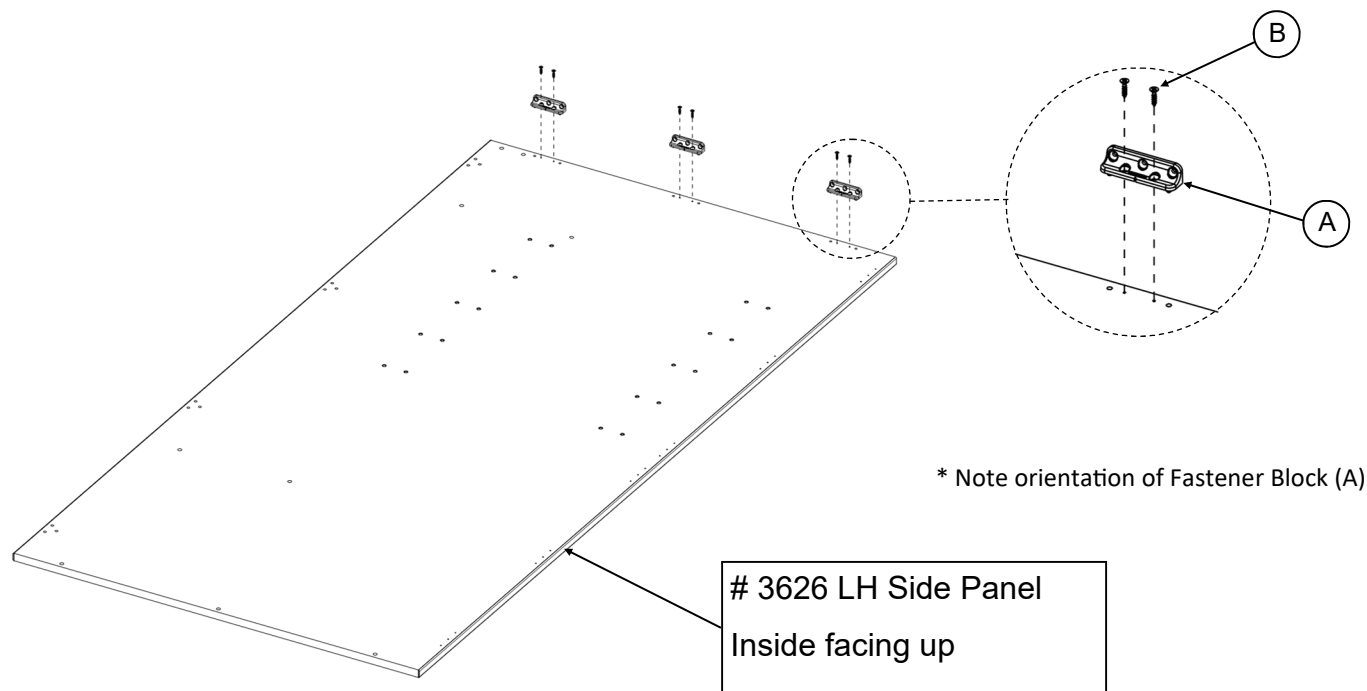
Steel Wire Doors

1

Drive in twenty Cap Nuts (R) into OUTSIDE face of Side Panel with plastic or rubber mallet.

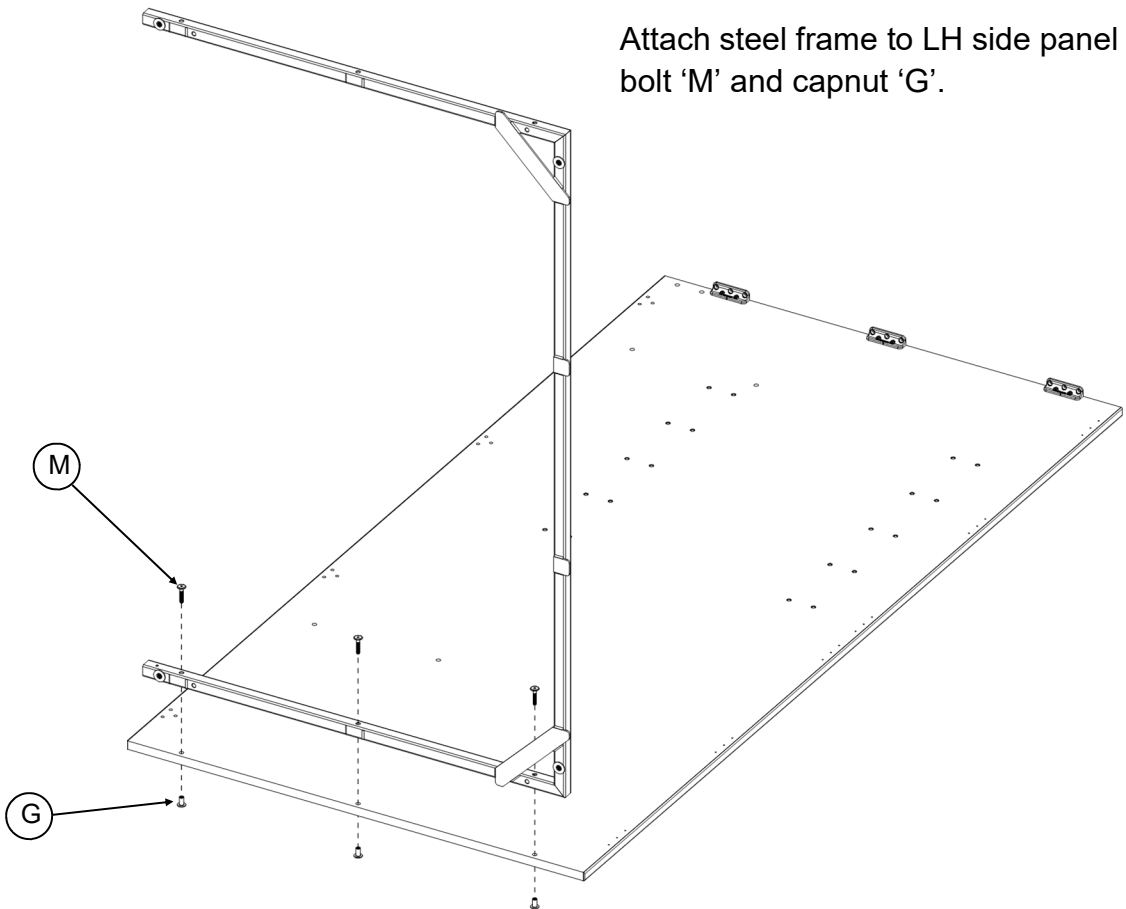


2



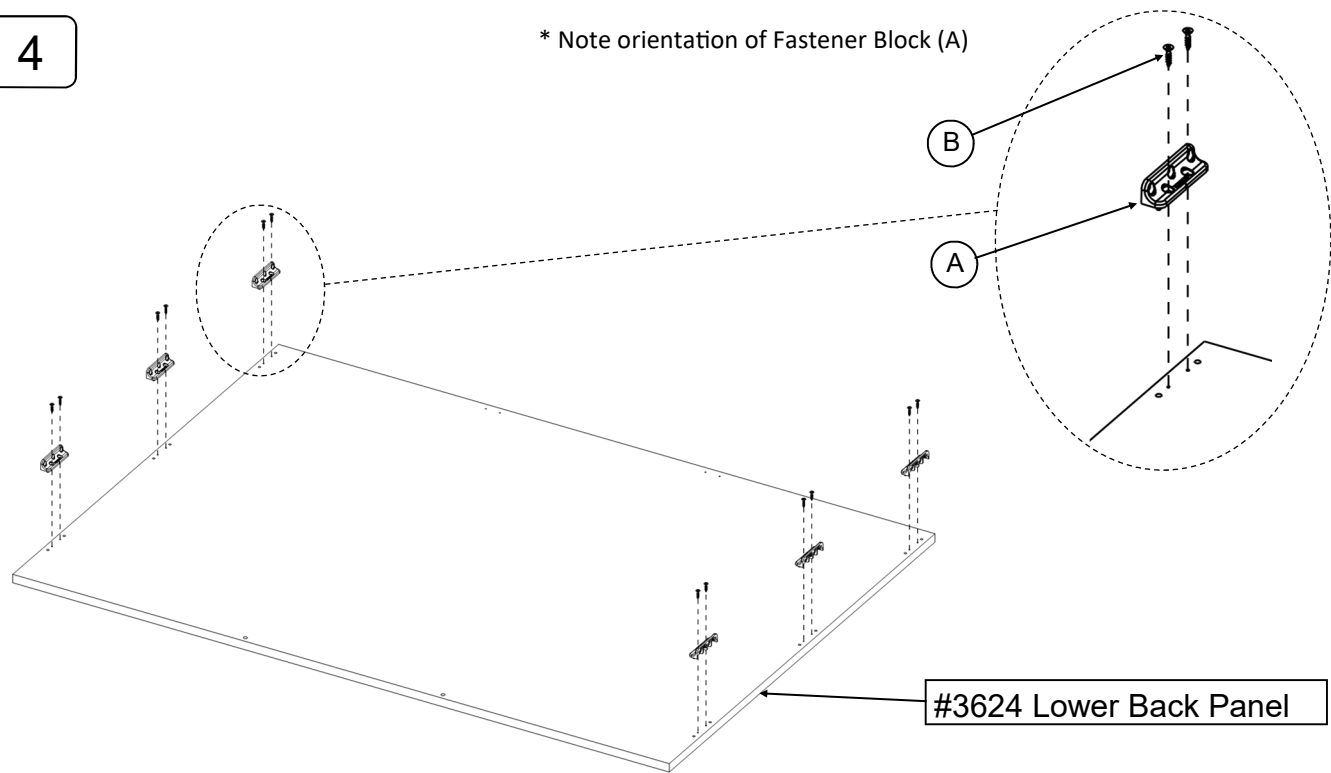
3

Attach steel frame to LH side panel using bolt 'M' and capnut 'G'.



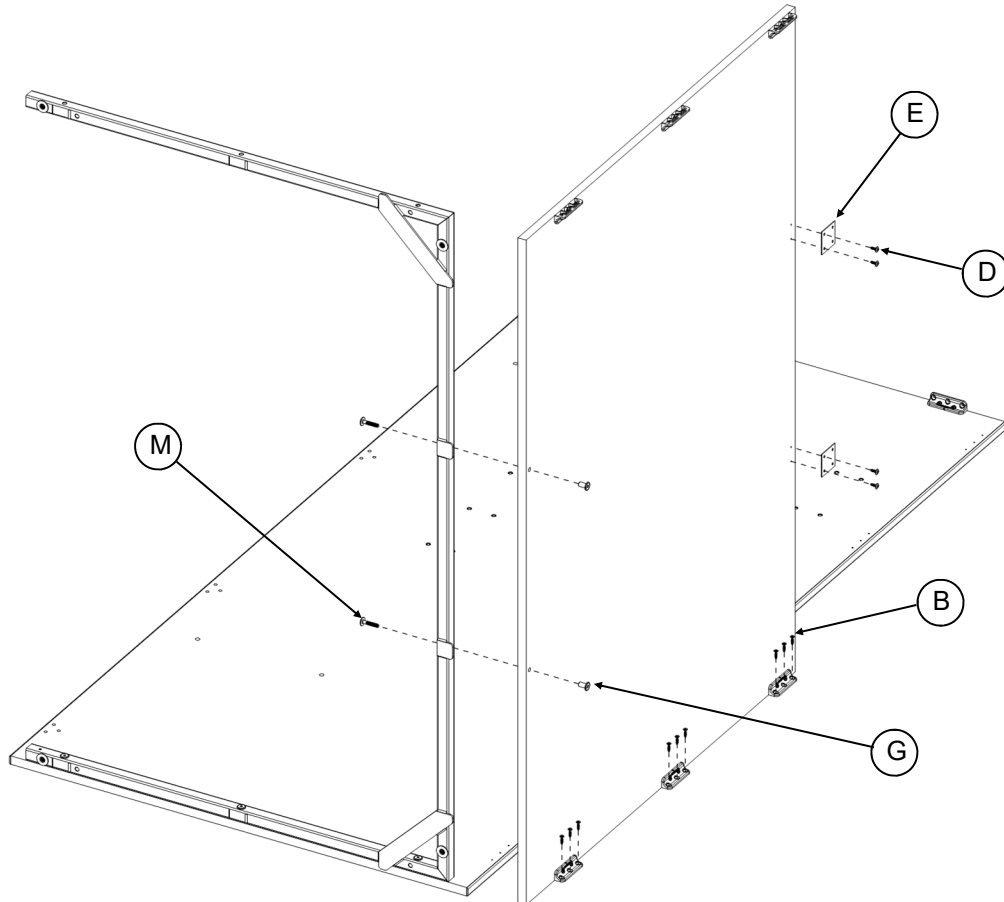
4

* Note orientation of Fastener Block (A)

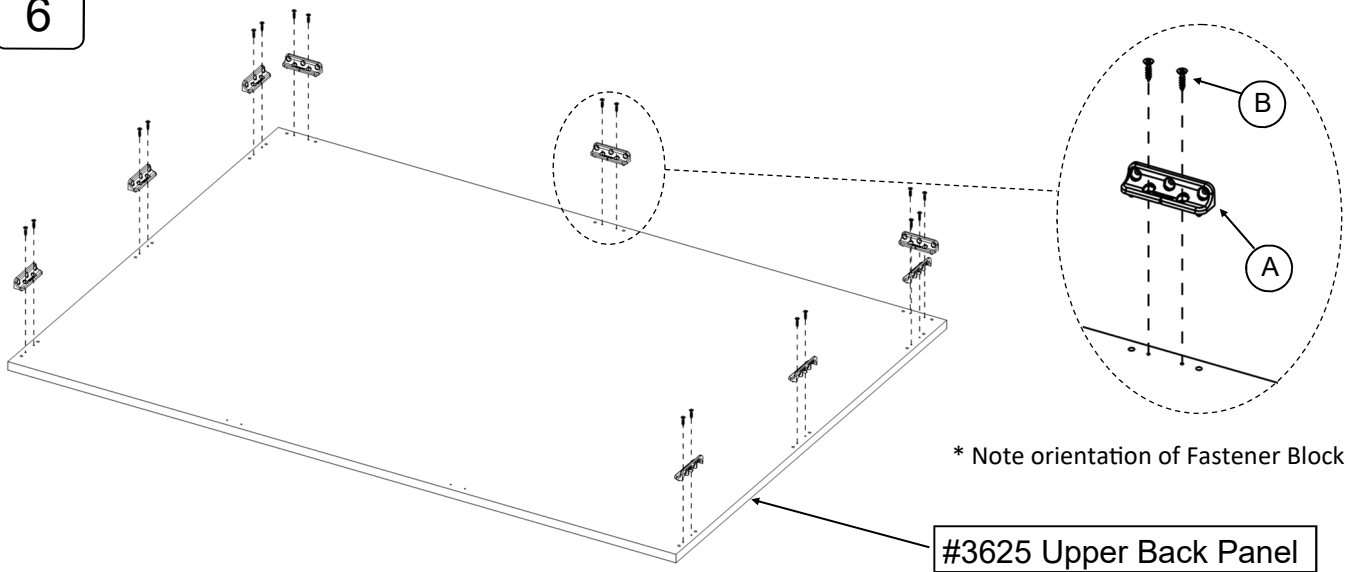


5

Attach lower back panel to steel frame using bolt 'M' and capnut 'G'. Attach to LH side panel using screws 'B'. Attach connector plates "E" to back panel using screws "D".



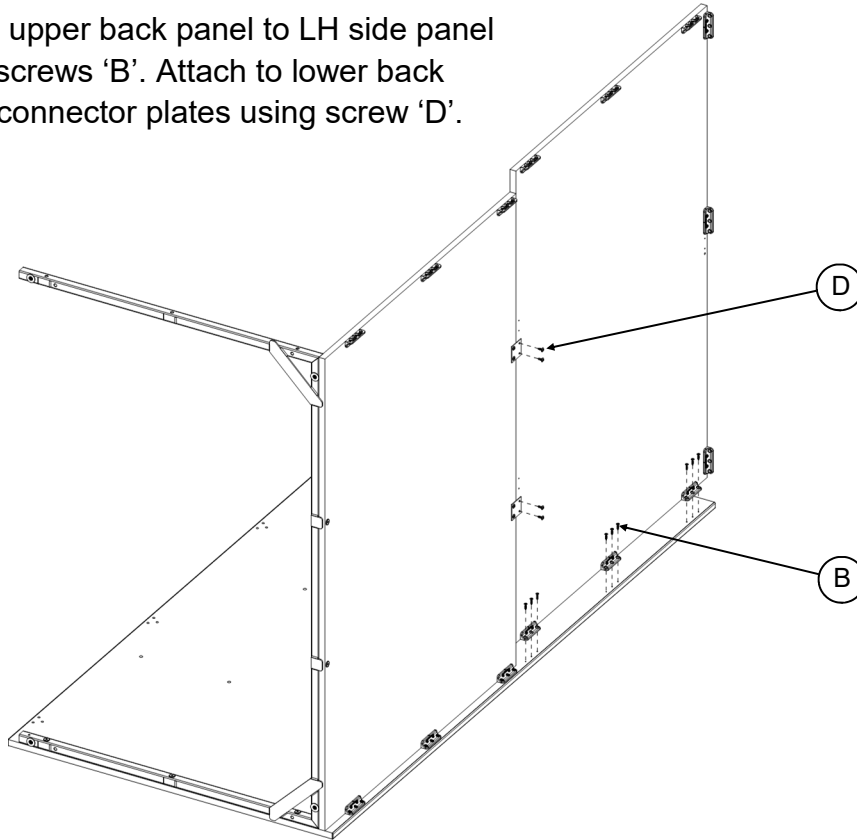
6



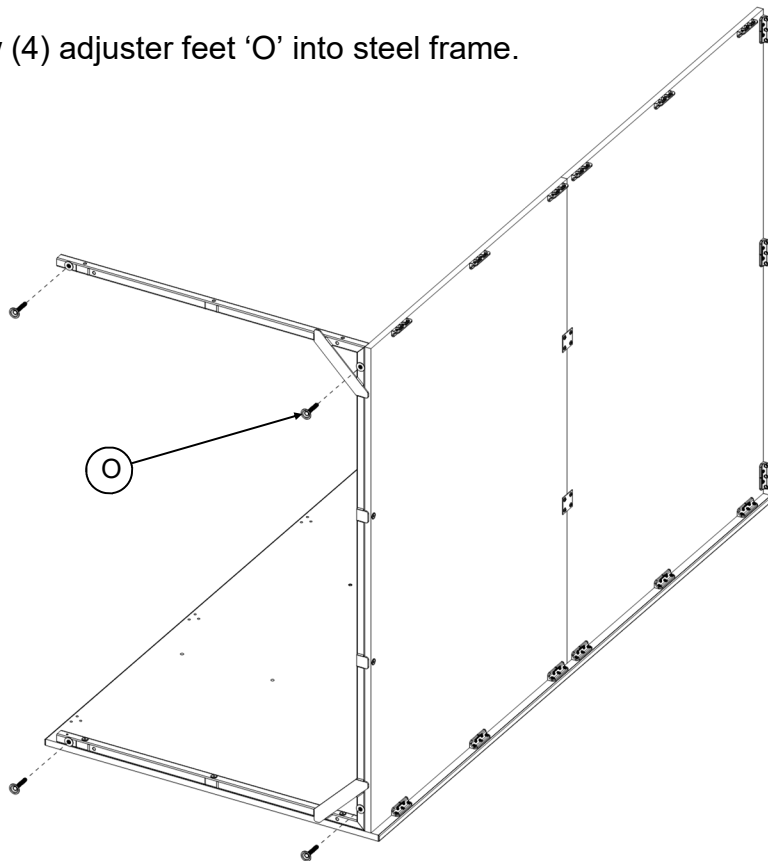
* Note orientation of Fastener Block (A)

#3625 Upper Back Panel

- 7** Attach upper back panel to LH side panel using screws 'B'. Attach to lower back panel connector plates using screw 'D'.

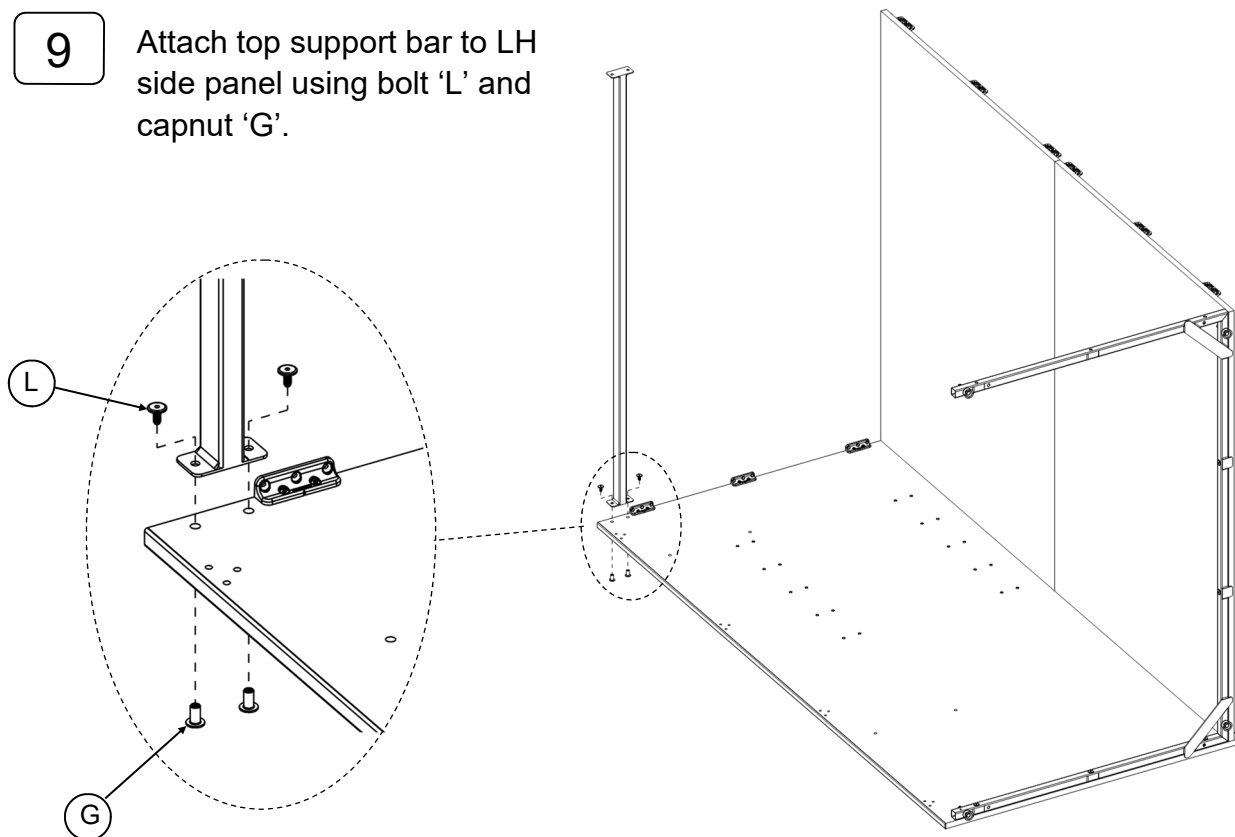


- 8** Screw (4) adjuster feet 'O' into steel frame.



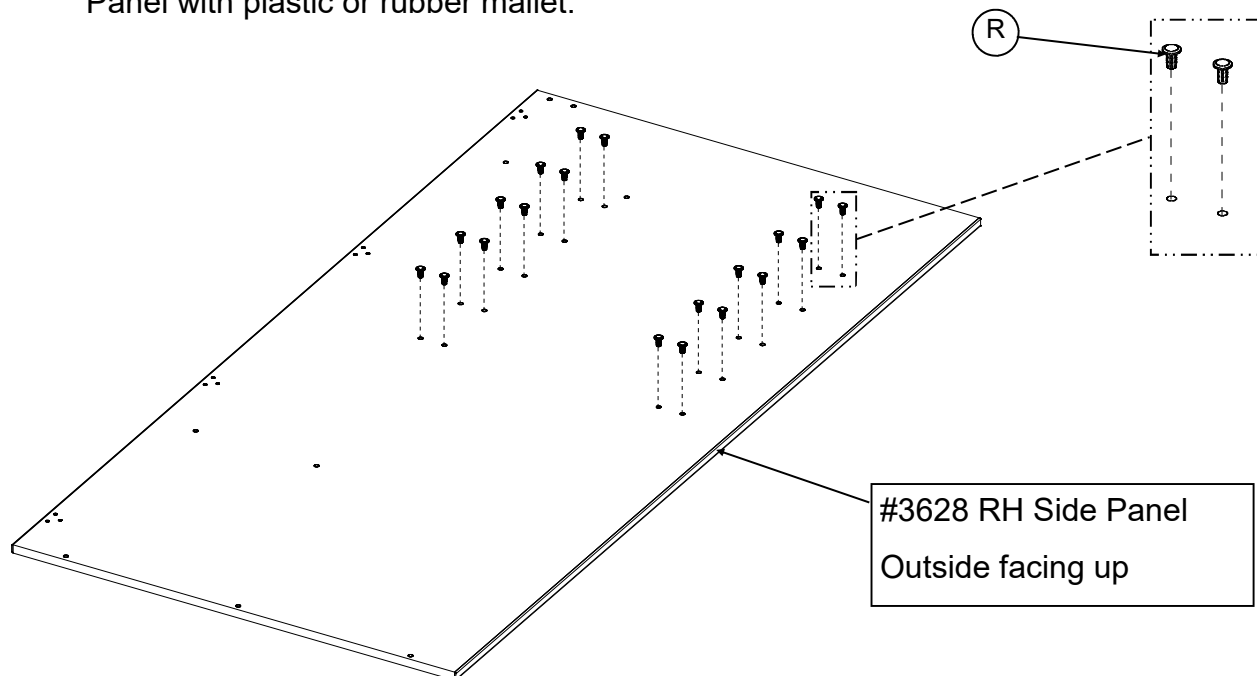
9

Attach top support bar to LH side panel using bolt 'L' and capnut 'G'.

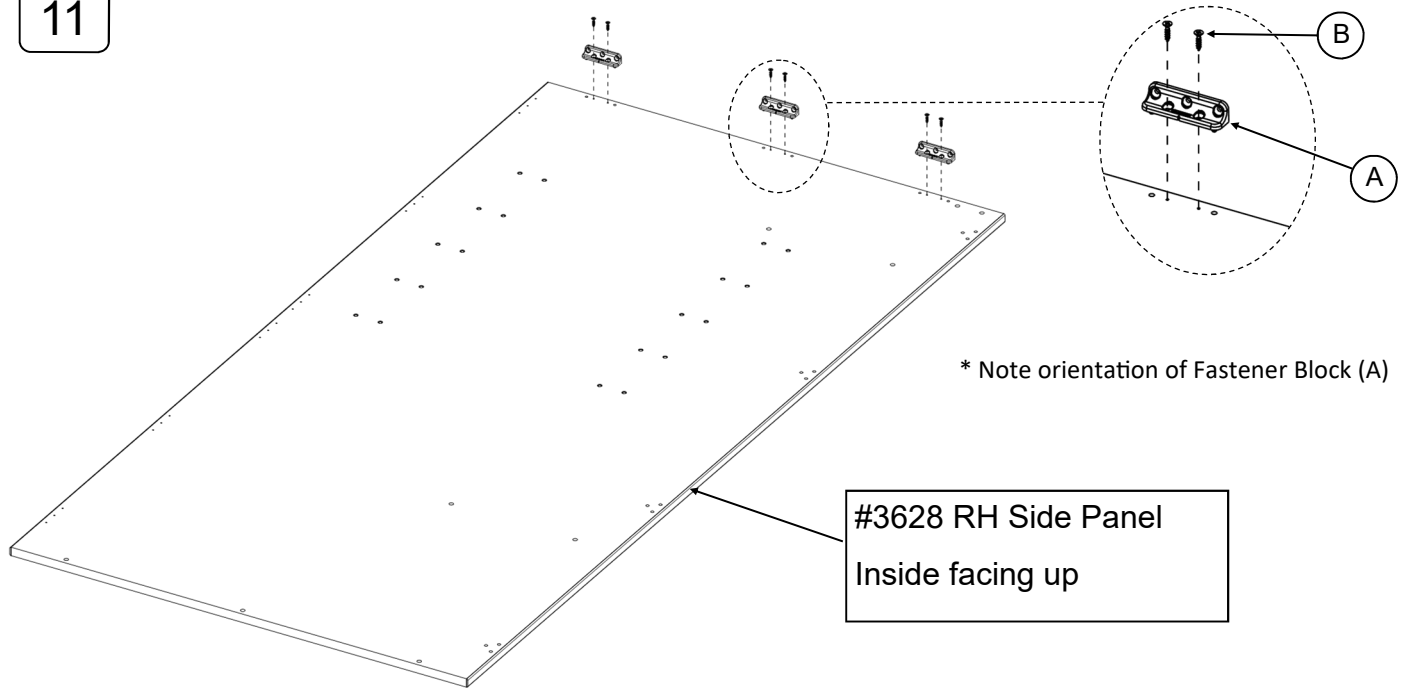


10

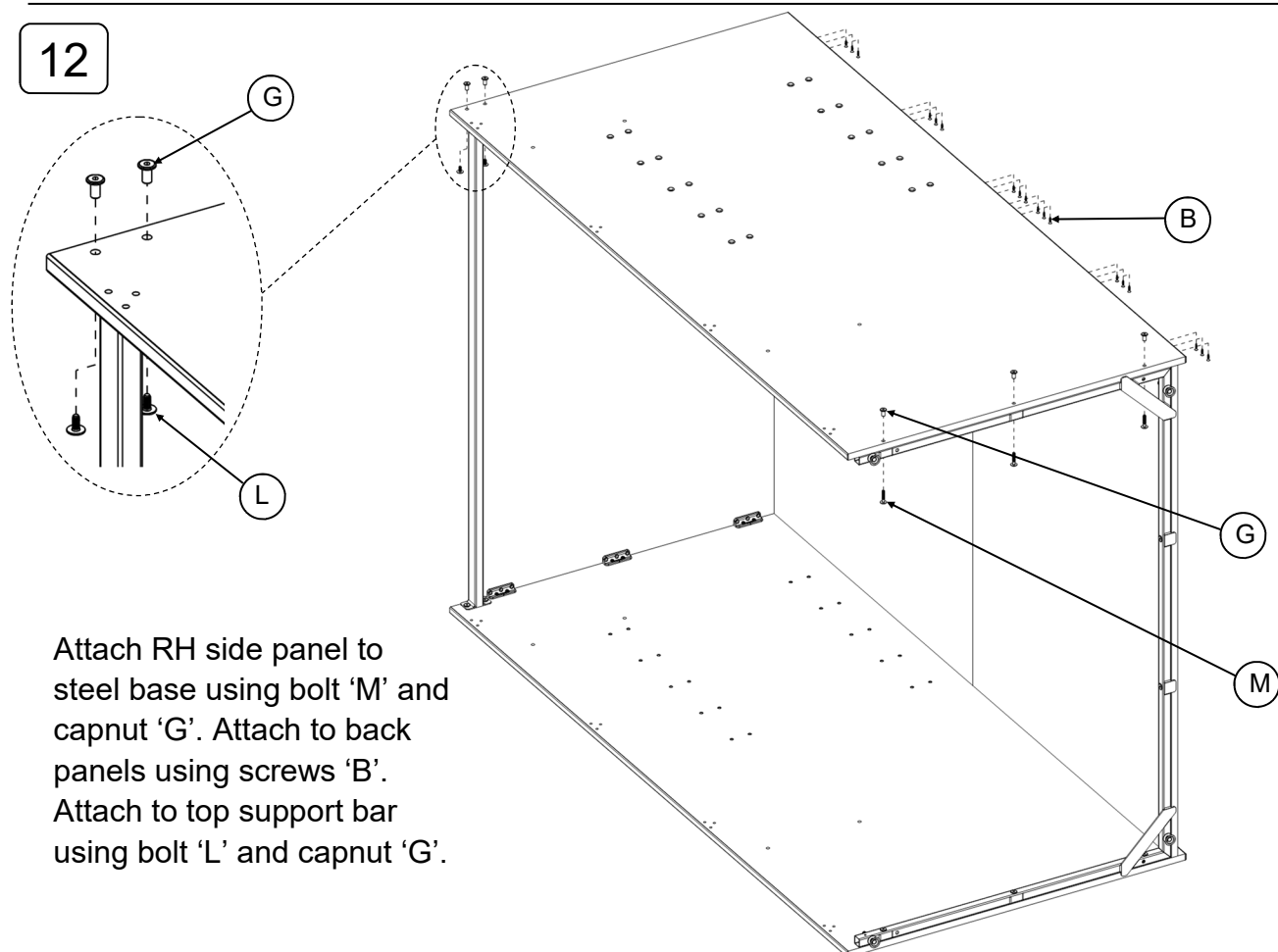
Drive in twenty Cap Nuts (R) into OUTSIDE face of Side Panel with plastic or rubber mallet.



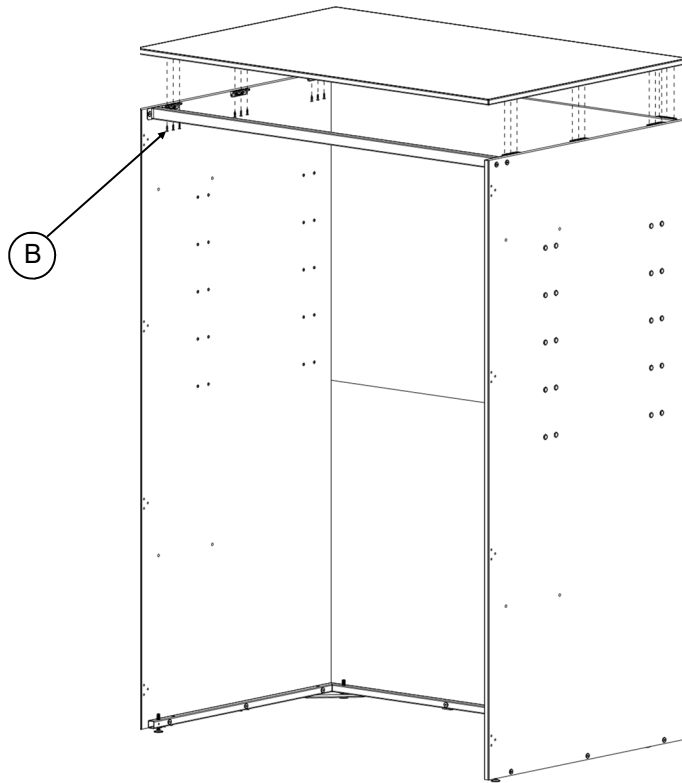
11



12



13

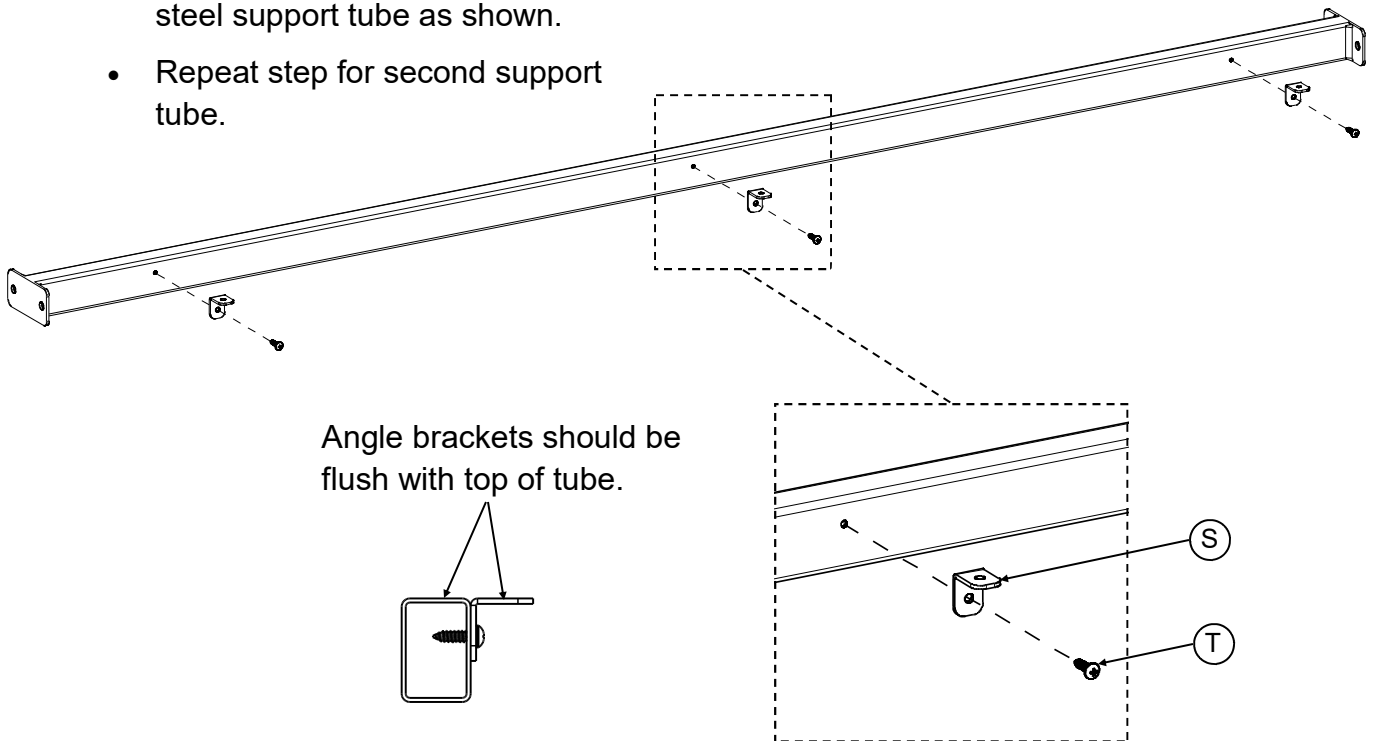


#3405 Top Panel

Attach top panel to sides and back panel using screw 'B'.

14

- Attach angle brackets (S) to steel support tube as shown.
- Repeat step for second support tube.

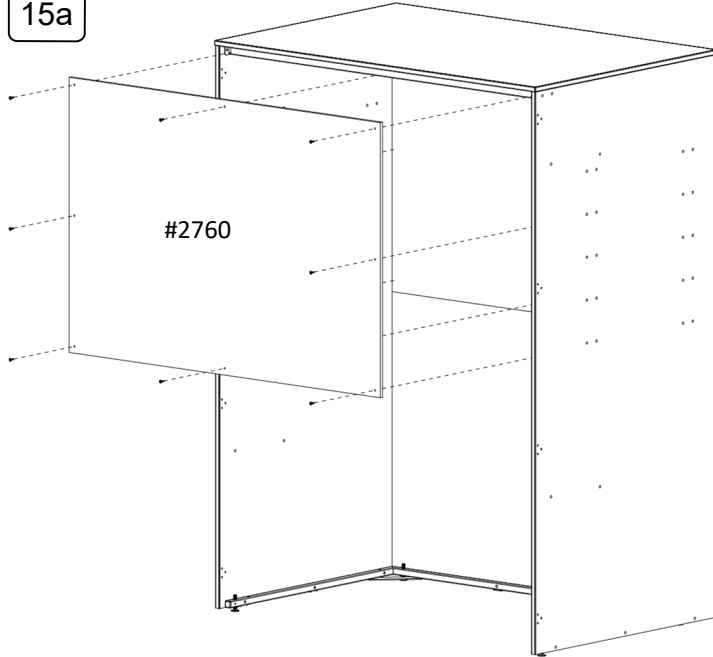


15

Skip this step if optional acoustic felt panels not ordered.

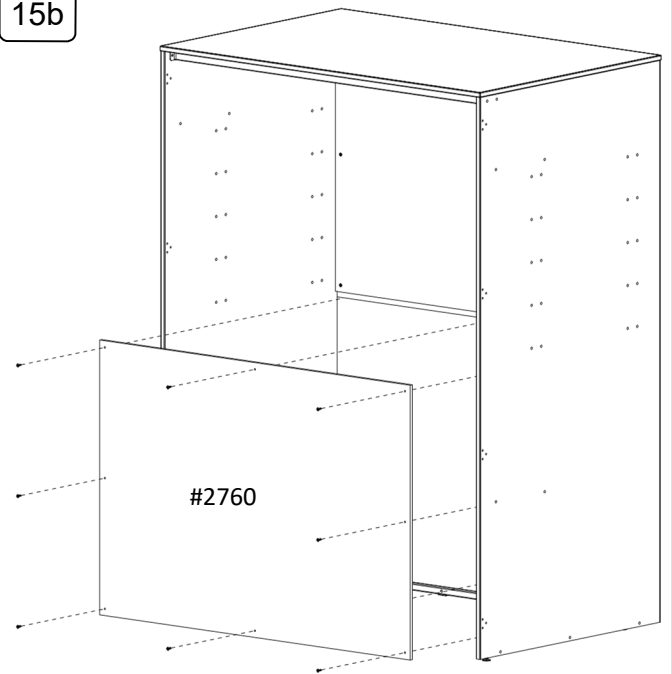
Panels must be installed prior to shelf installation in the following steps.

15a



Place acoustic panel against back wall and up against top panel. Attach with (8) #8x3/4 truss screws.

15b

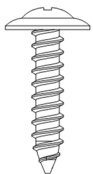


Place acoustic panel against back wall and up against previous panel. Attach with (8) #8x3/4 truss screws.

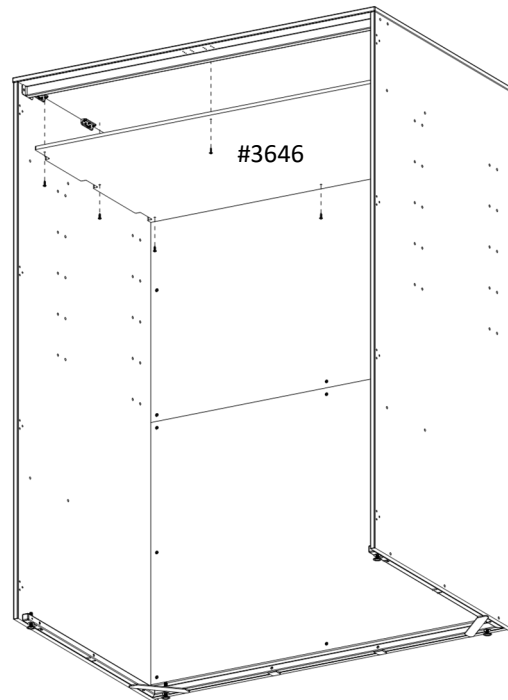
DO NOT OVERTIGHTEN SCREWS. Only tighten until screw head contacts acoustic panel.

15c

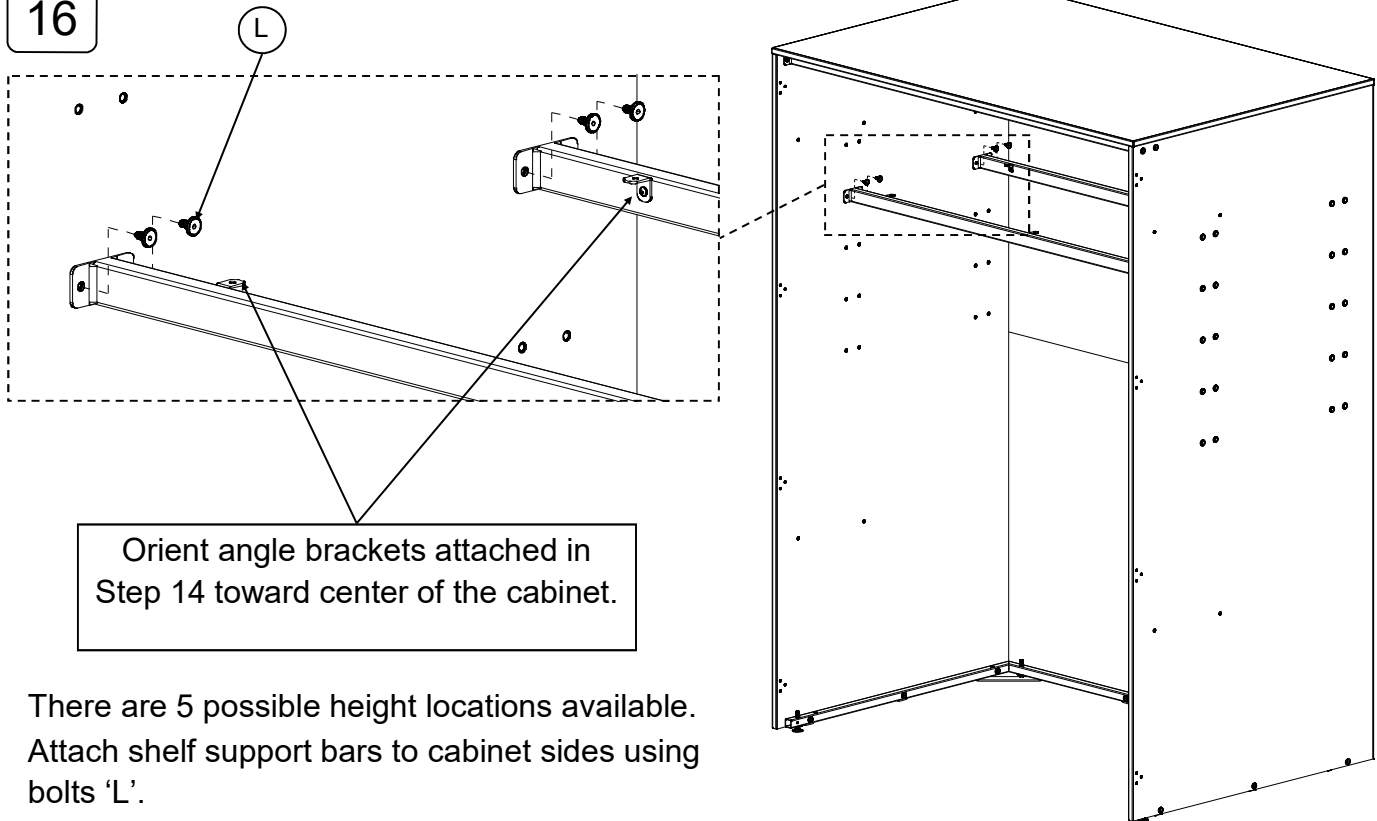
Place top acoustic panel up against top panel.
Attach with (8) #8x3/4 truss screws.



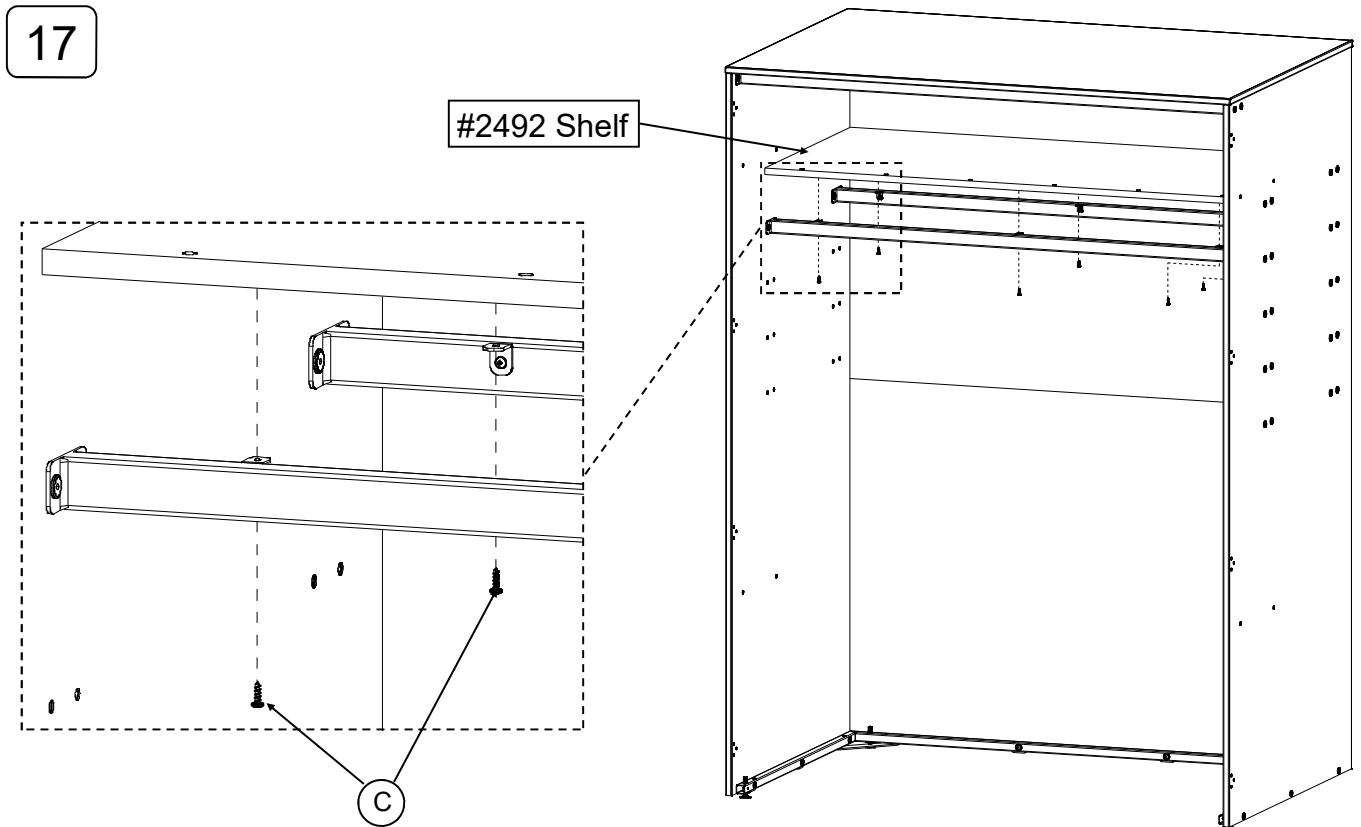
#8x3/4 Truss Screw



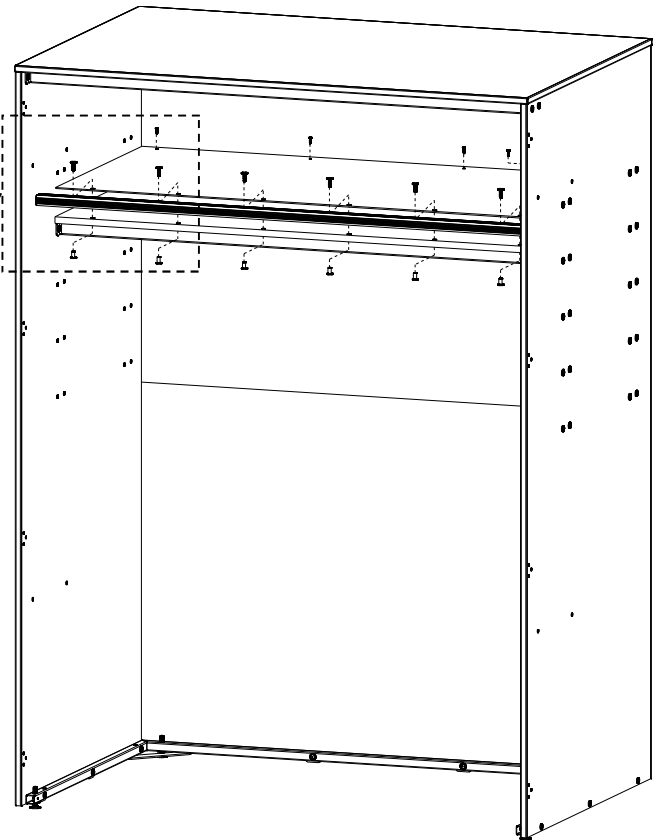
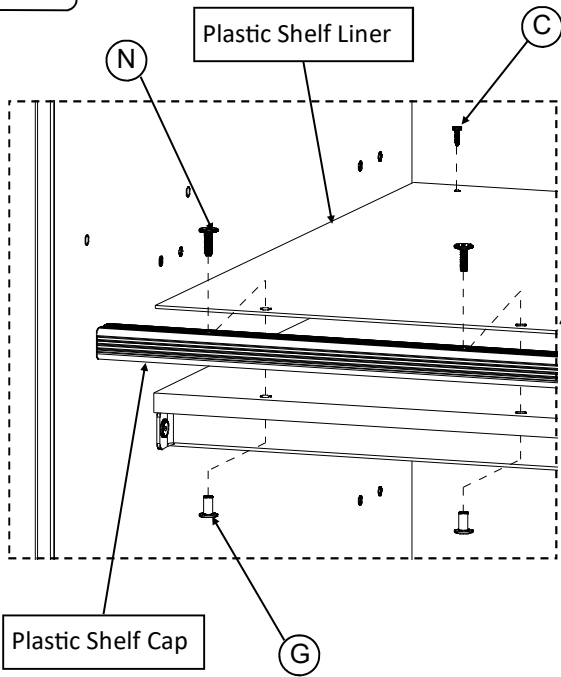
16



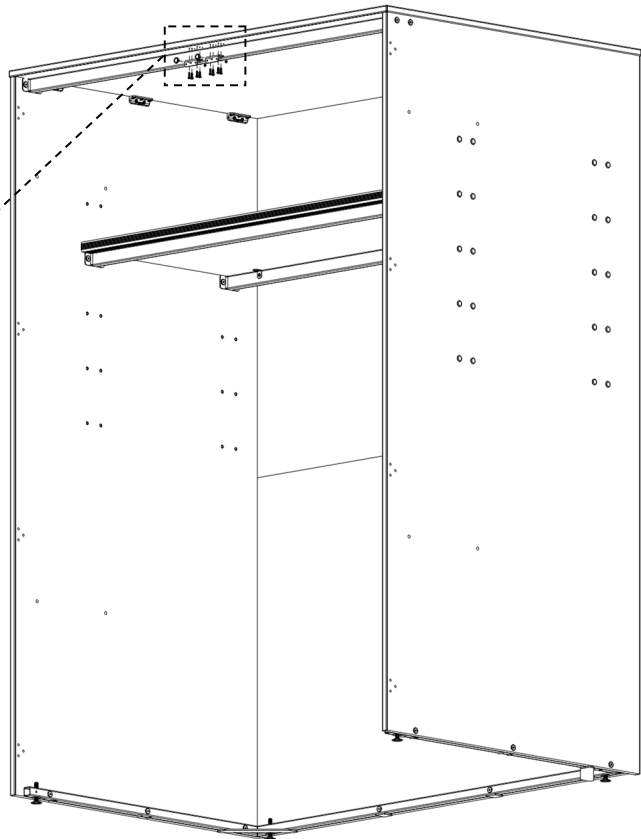
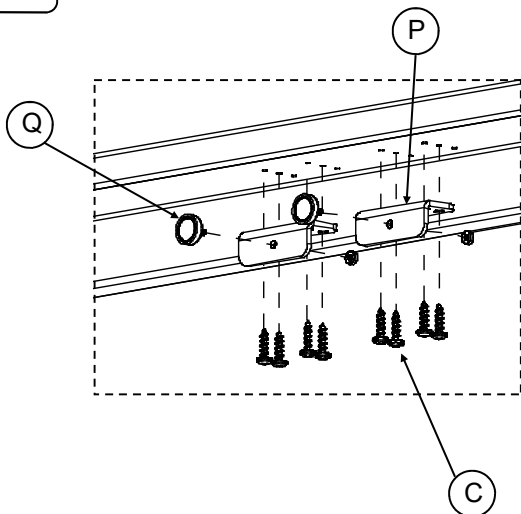
17



18

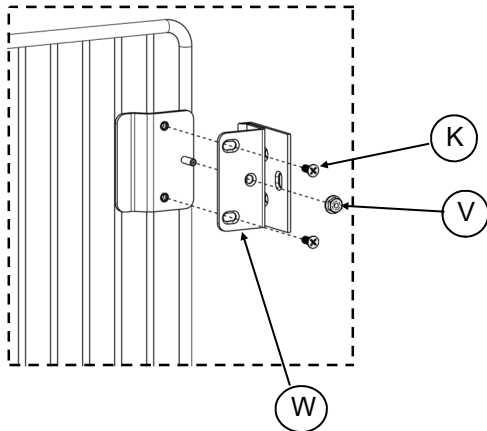


19



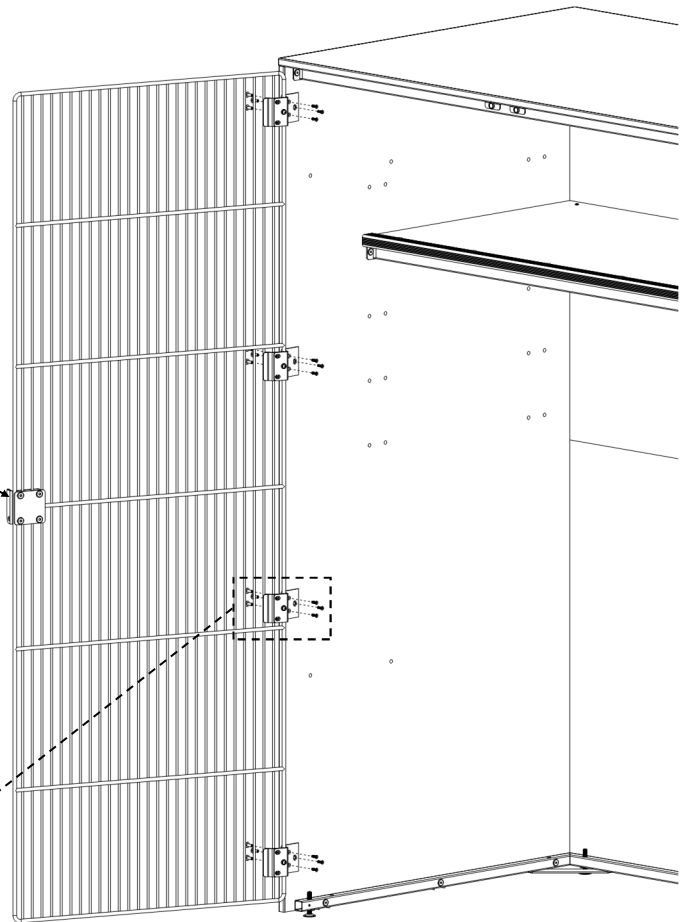
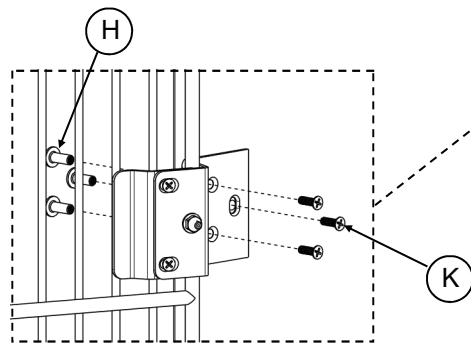
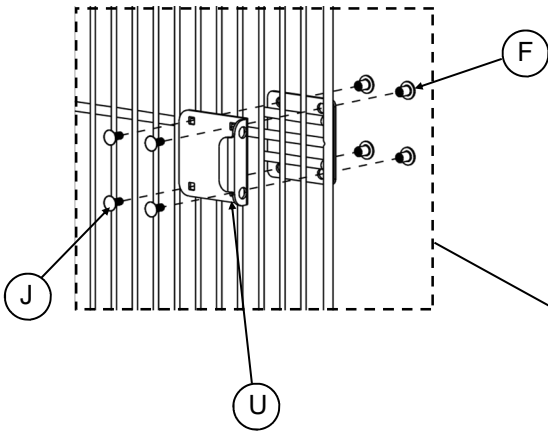
Attach door stop bracket with magnets to top panel.

20



Attach four hinges (W) to door as shown using two screws (K) and one nut (V) per hinge.

Repeat for other door.



LH shown—Repeat
for RH Door

After assembly and placed in desired location the cabinet should be checked for square and level using the 4 leveling feet. Cabinet may be attached to adjacent cabinets or be used freestanding. If freestanding, the cabinet should be anchored to the floor using suitable floor anchors (not included). Before anchoring make sure cabinet is square, level, and that doors open and close properly.

