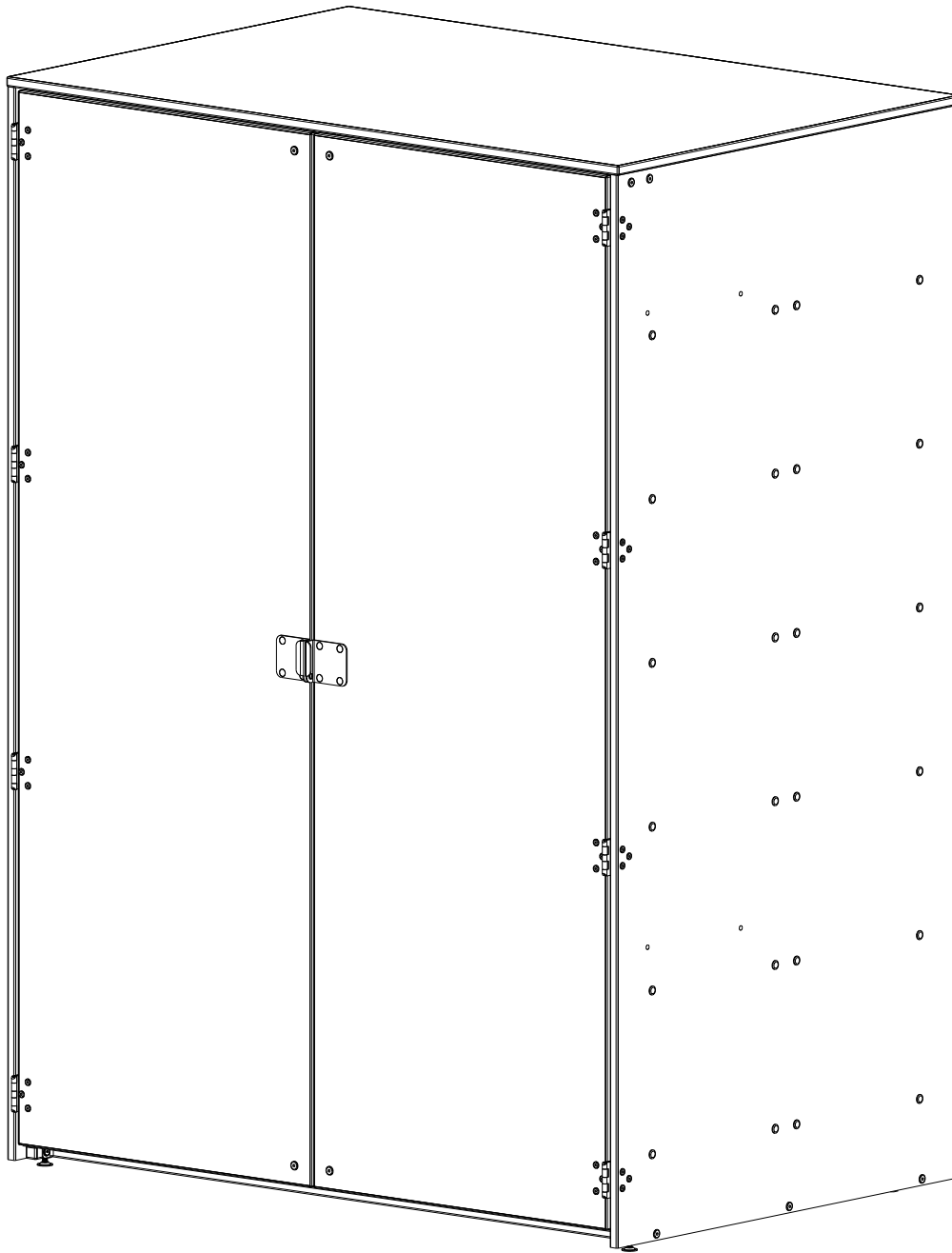




# Assembly Instructions

## BS171-3 60" String Cabinet



### Tools needed for assembly:

- #2 Phillips Screwdriver
- 4mm Hex Key (Included)
- 3/16" Hex Key (Included)
- Tape Measure
- Level
- Rubber Mallet
- 7/16" Wrench



Complete  
Band Storage  
Solutions

# Assembly Instructions

## BS171-3 60" String Cabinet

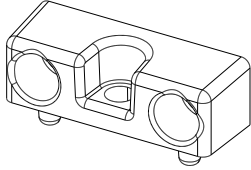
#85307

Revised 05/17/23

### Fasteners and Hardware

(A) x 21

Fastener Block



(B) x 63

Fastener Block Screw



(C) x 8

#8 x 5/8" Screw



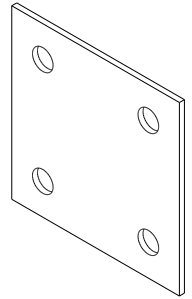
(D) x 8

#8 x 5/8" Truss Screw



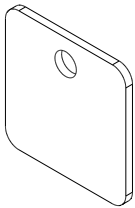
(E) x 2

Joint Plate



(F) x 2

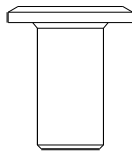
Strike Plate



(G) x 26

1/4"-20 x 17mm

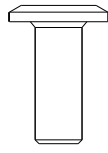
Cap Nut



(H) x 48

#10-24 x 16mm

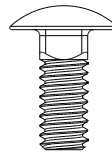
Cap Nut



(J) x 12

1/4"-20 x 5/8"

Carriage Bolt



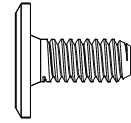
(K) x 48

#10-24 x 5/8 Screw



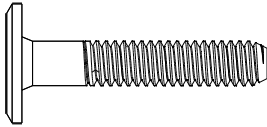
(L) x 34

1/4"-20 x 15mm Bolt



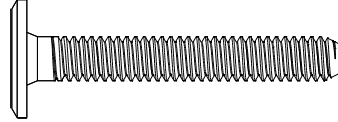
(M) x 11

1/4"-20 x 35mm Bolt



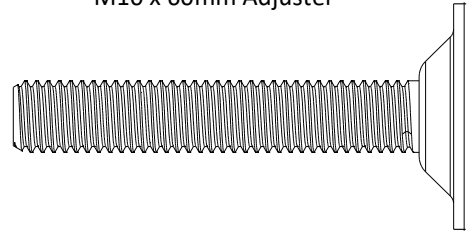
(N) x 2

1/4"-20 x 45mm Bolt



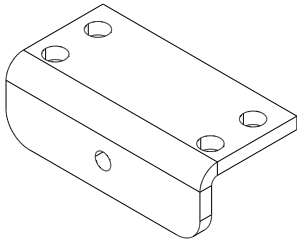
(O) x 4

M10 x 60mm Adjuster



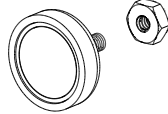
(P) x 2

Magnet Bracket



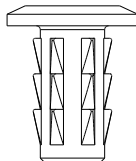
(Q) x 2

Magnet



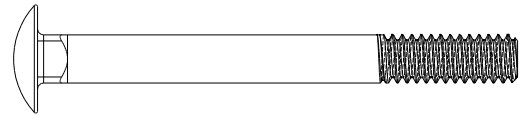
(R) x 48

1/4"-20 Cap Nut w/Barb



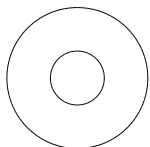
(S) x 8

1/4"-20 x 2-1/2" Carriage Bolt



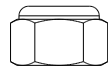
(T) x 40

1/4" Flat Washer



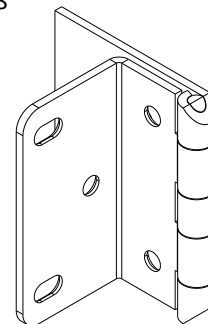
(U) x 26

1/4" Nylock Nut



(W) x 8

Hinge



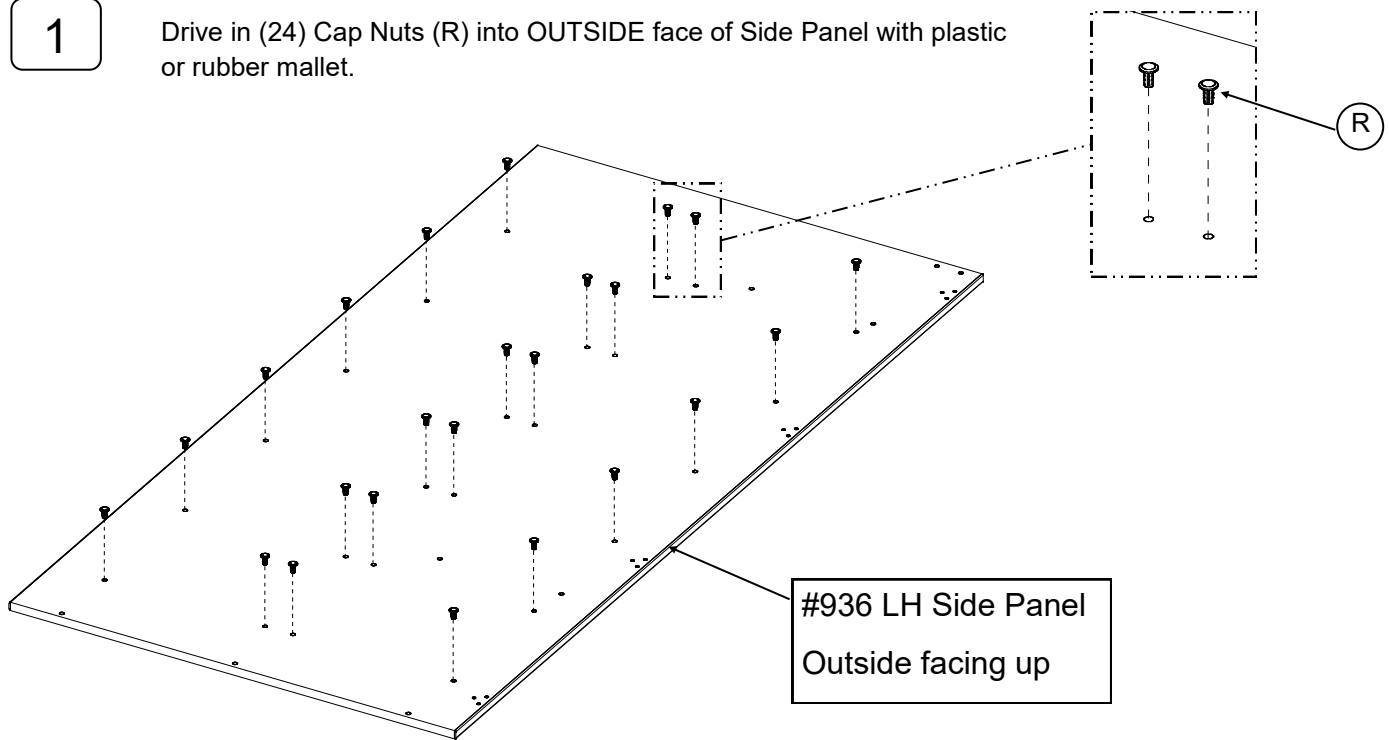


# Assembly Instructions

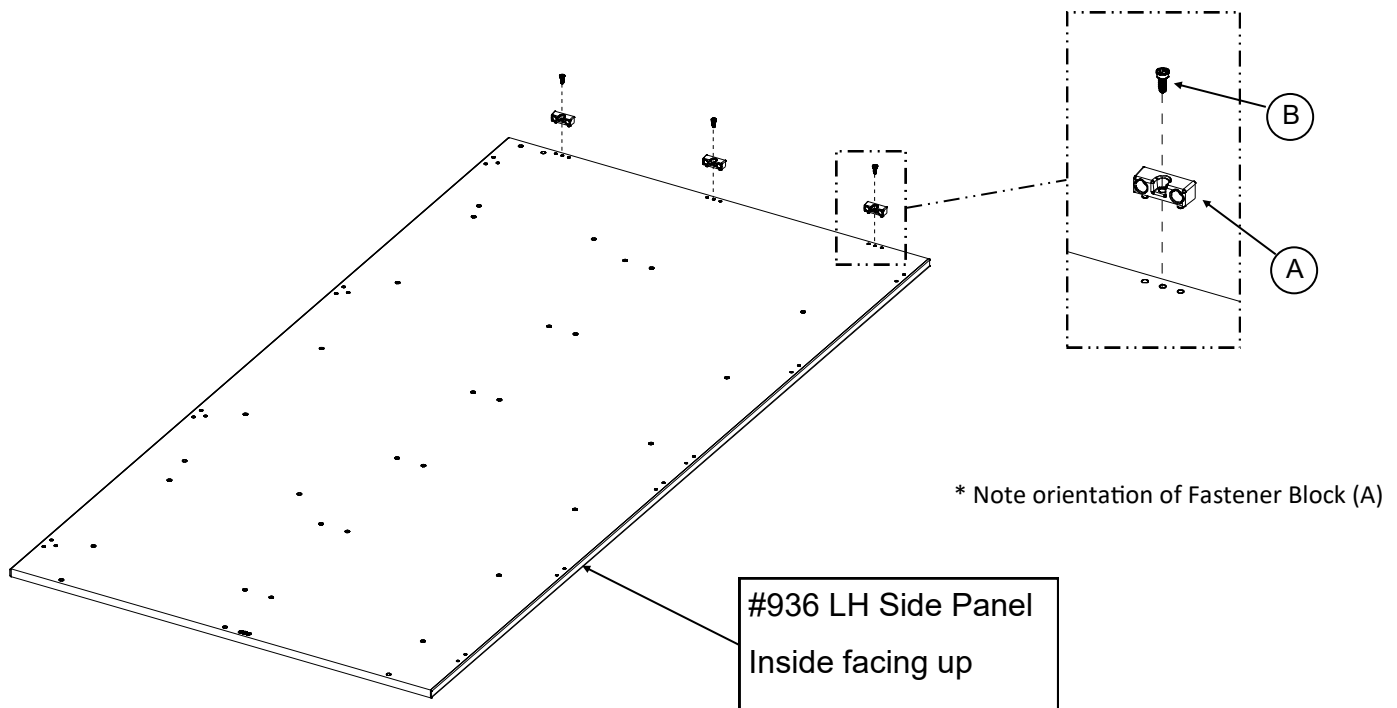
## BS171-3 60" String Cabinet

1

Drive in (24) Cap Nuts (R) into OUTSIDE face of Side Panel with plastic or rubber mallet.



2



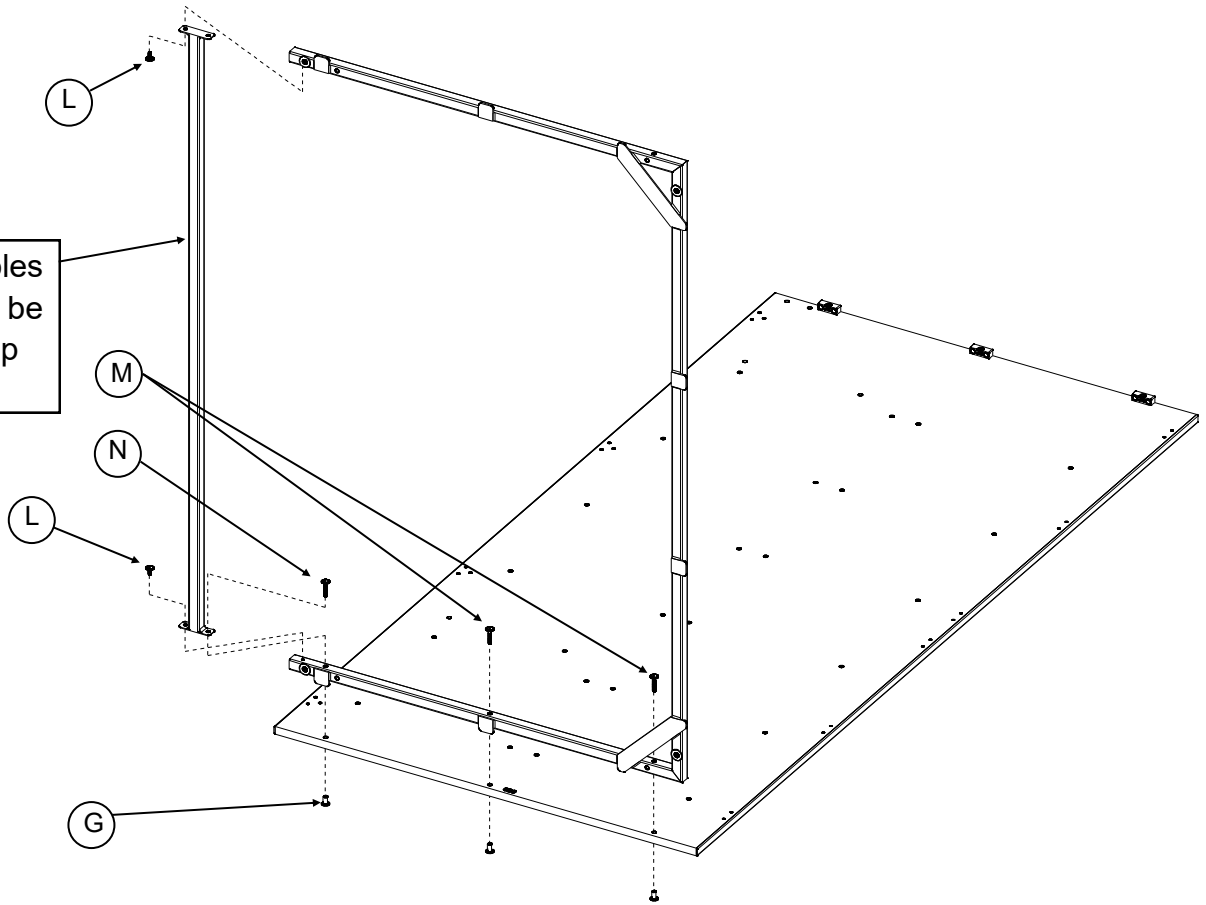


# Assembly Instructions

## BS171-3 60" String Cabinet

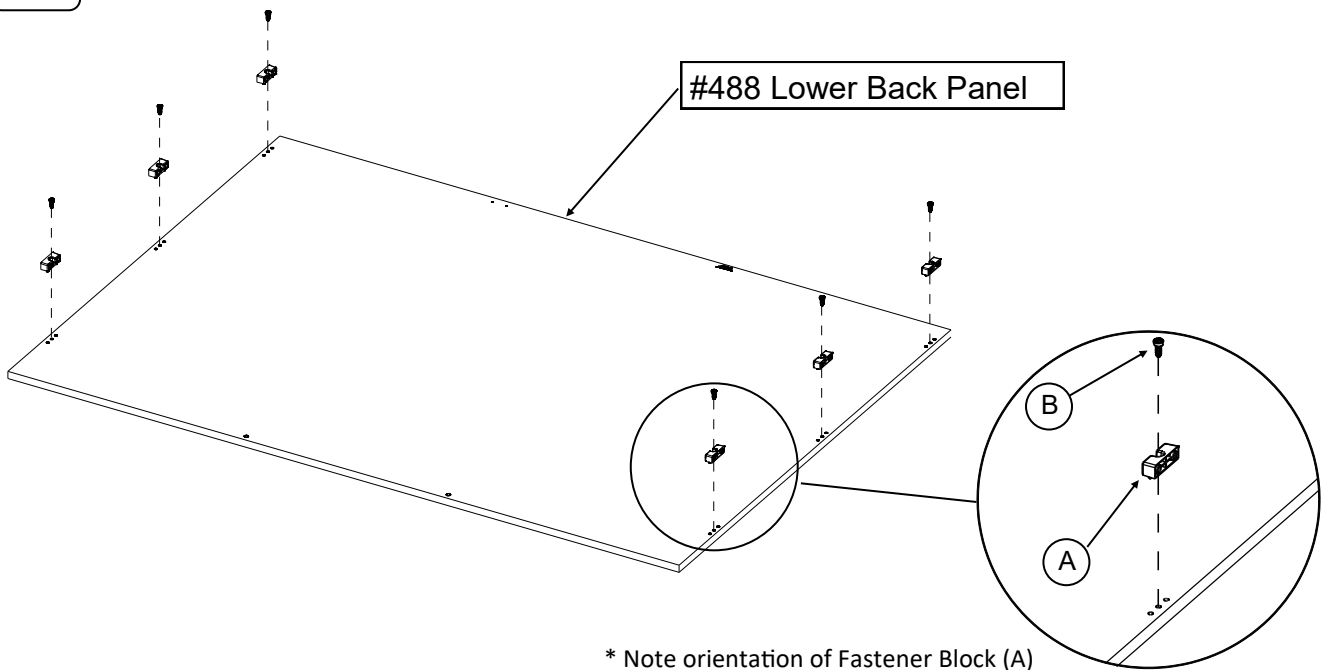
3

3 tapped holes  
on rail must be  
oriented up



4

#488 Lower Back Panel

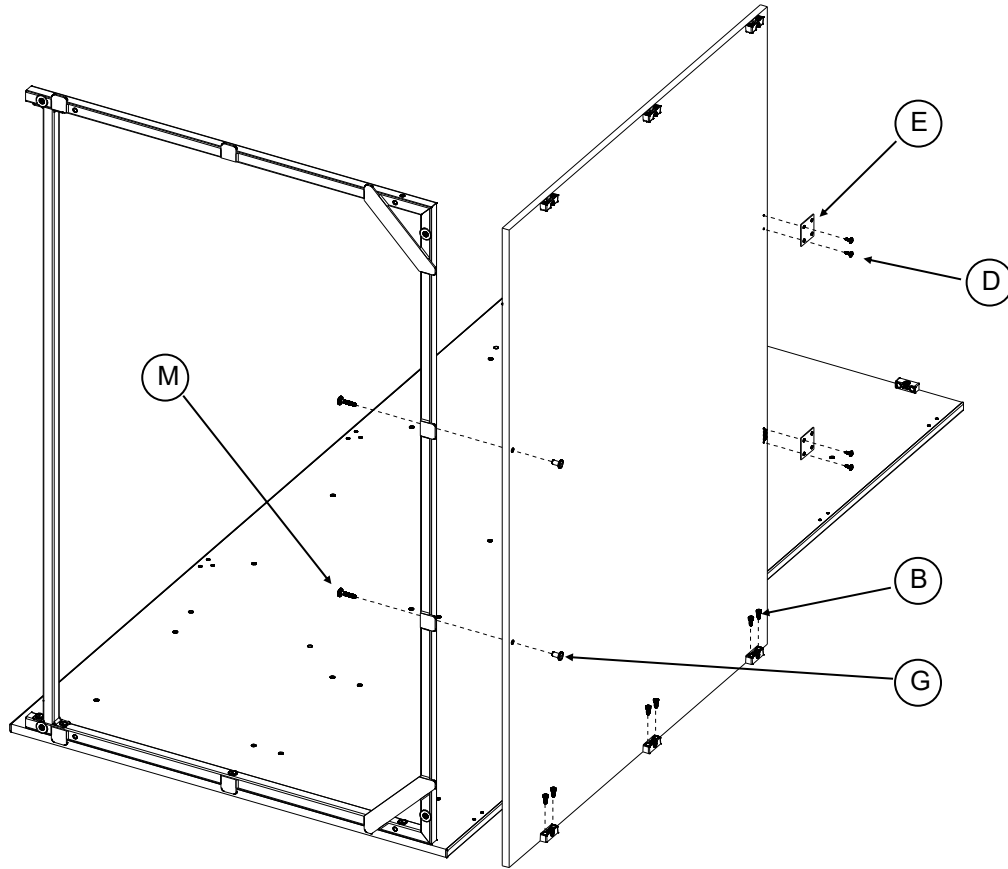




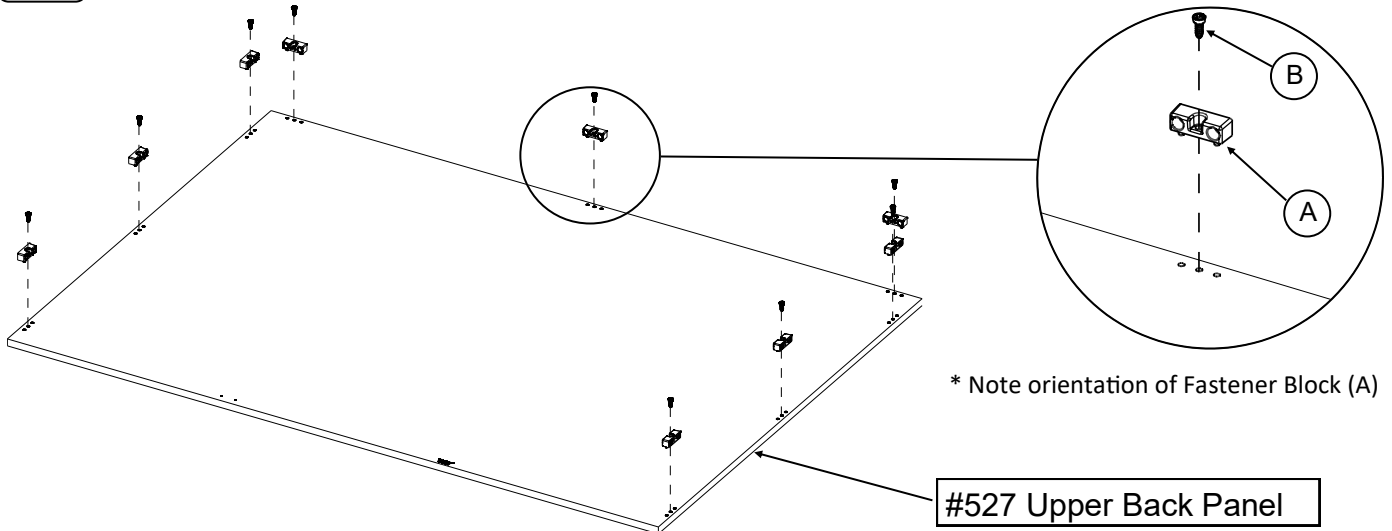
# Assembly Instructions

## BS171-3 60" String Cabinet

5



6

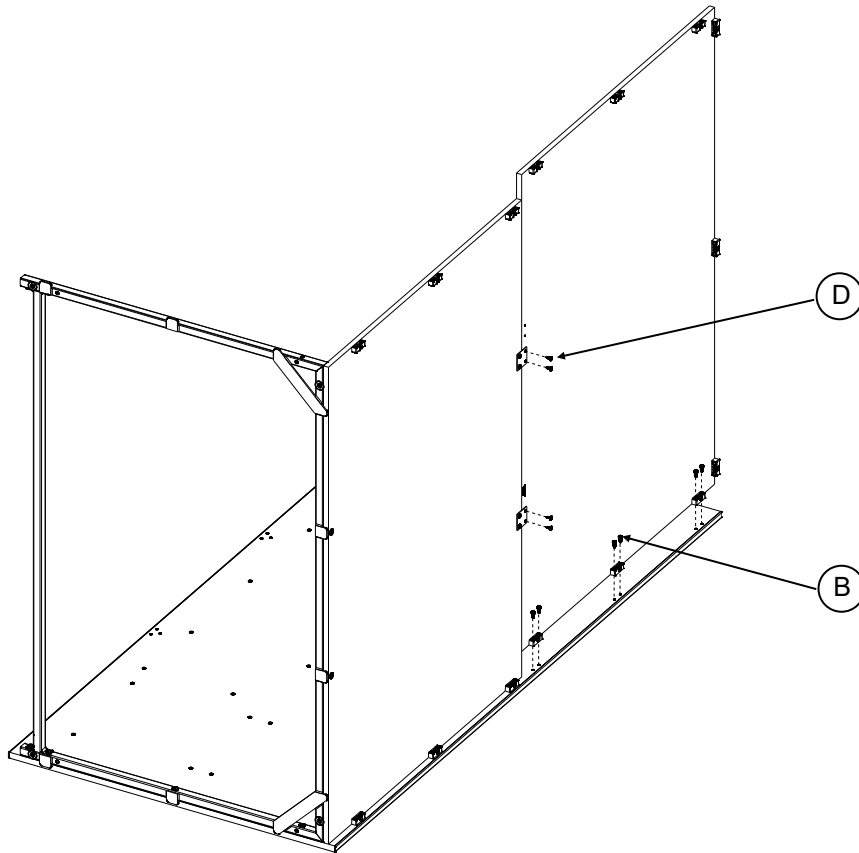




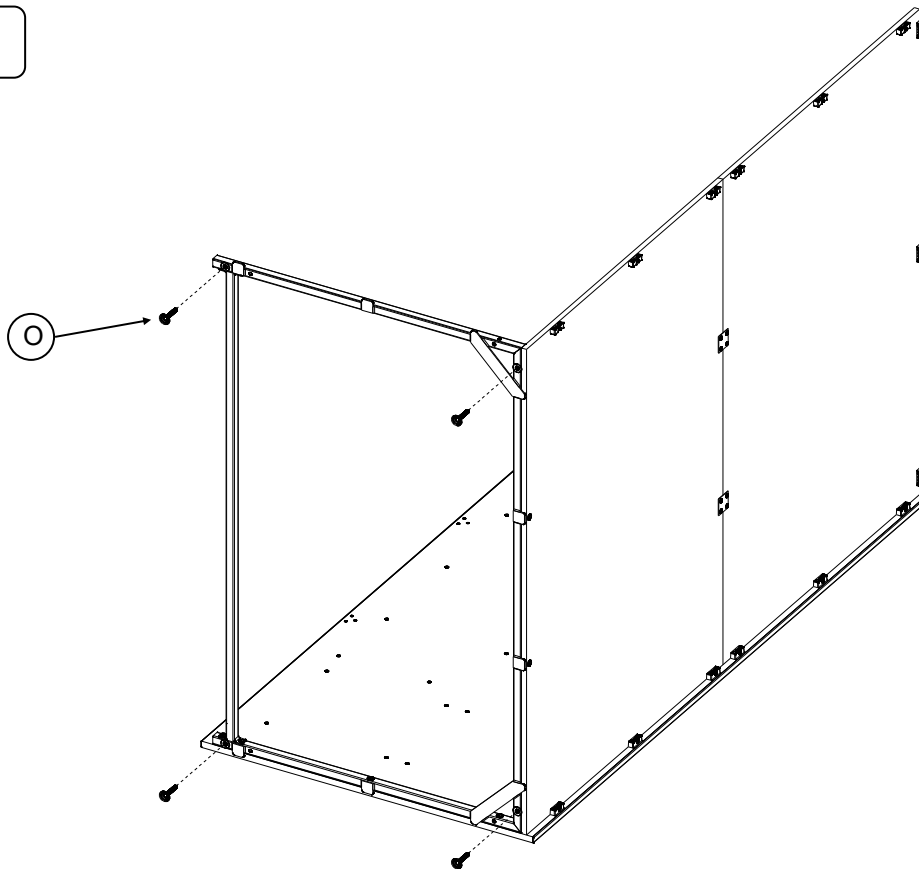
# Assembly Instructions

## BS171-3 60" String Cabinet

7



8

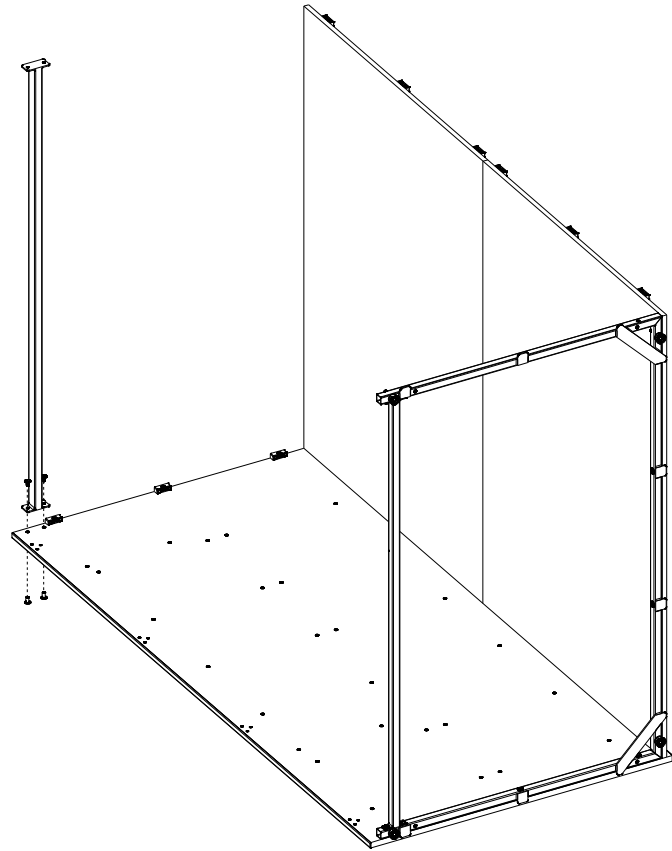
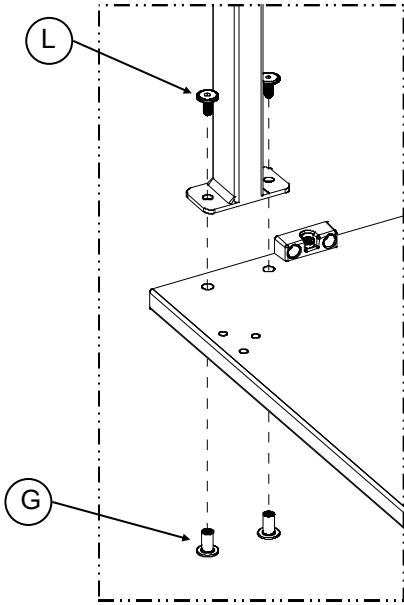




# Assembly Instructions

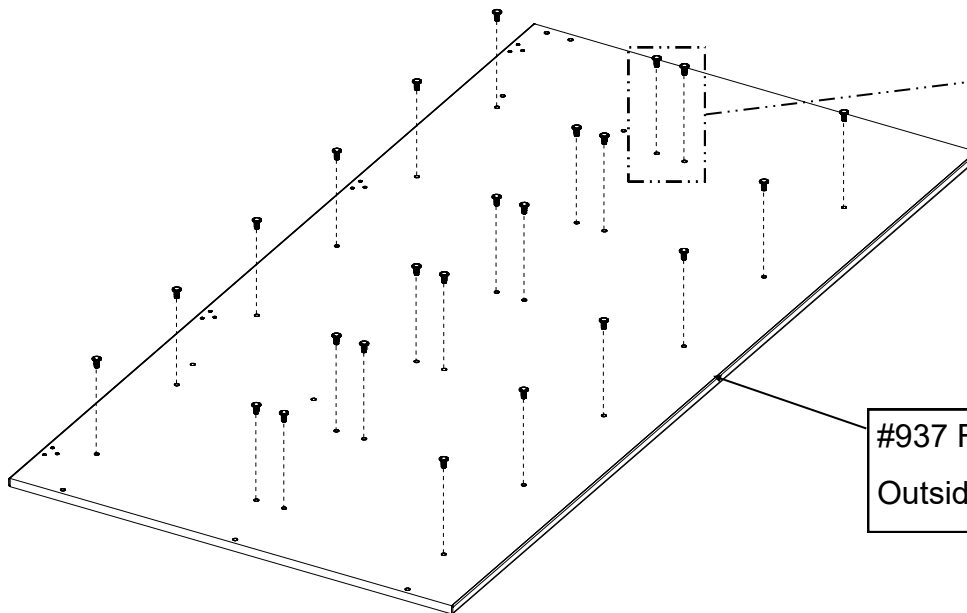
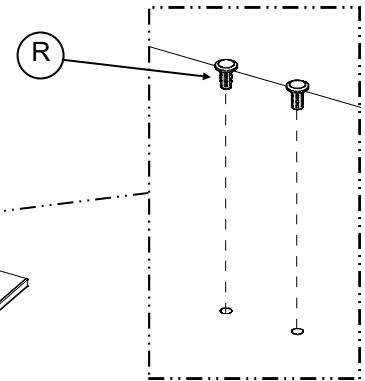
## BS171-3 60" String Cabinet

9



10

Drive in (24) Cap Nuts (R) into OUTSIDE face of Side Panel with plastic or rubber mallet.



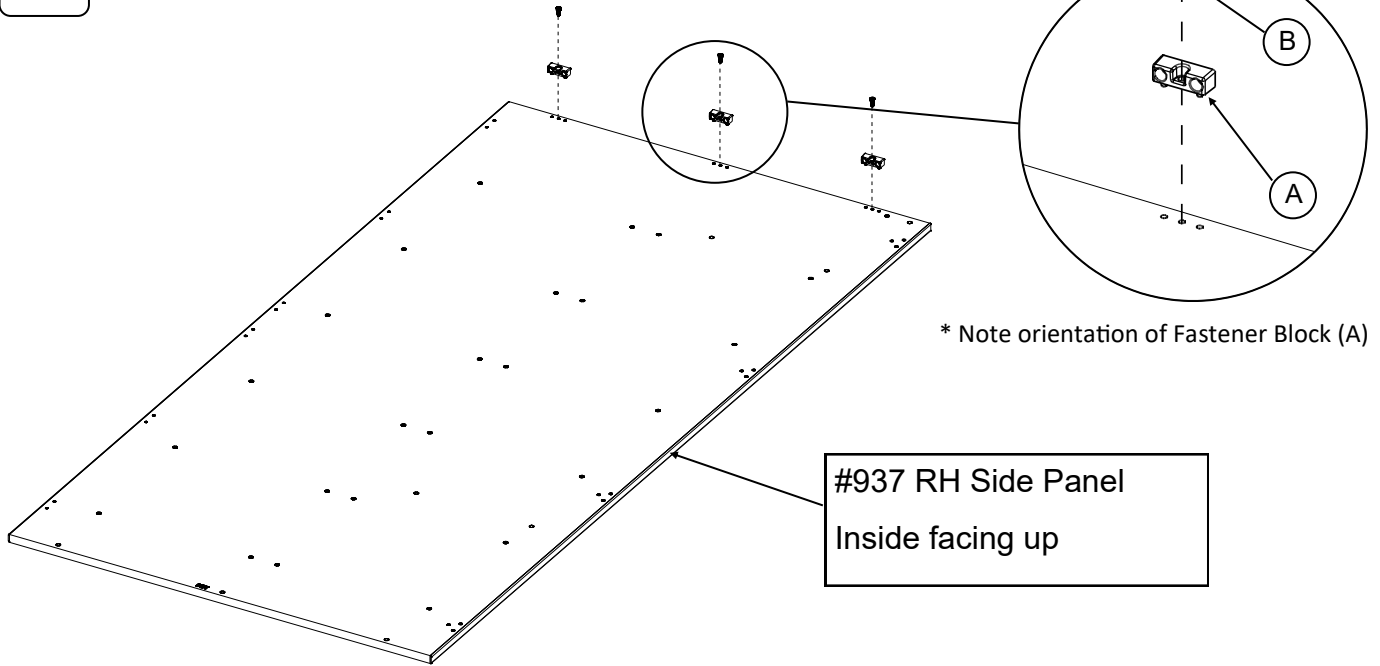
#937 RH Side Panel  
Outside facing up



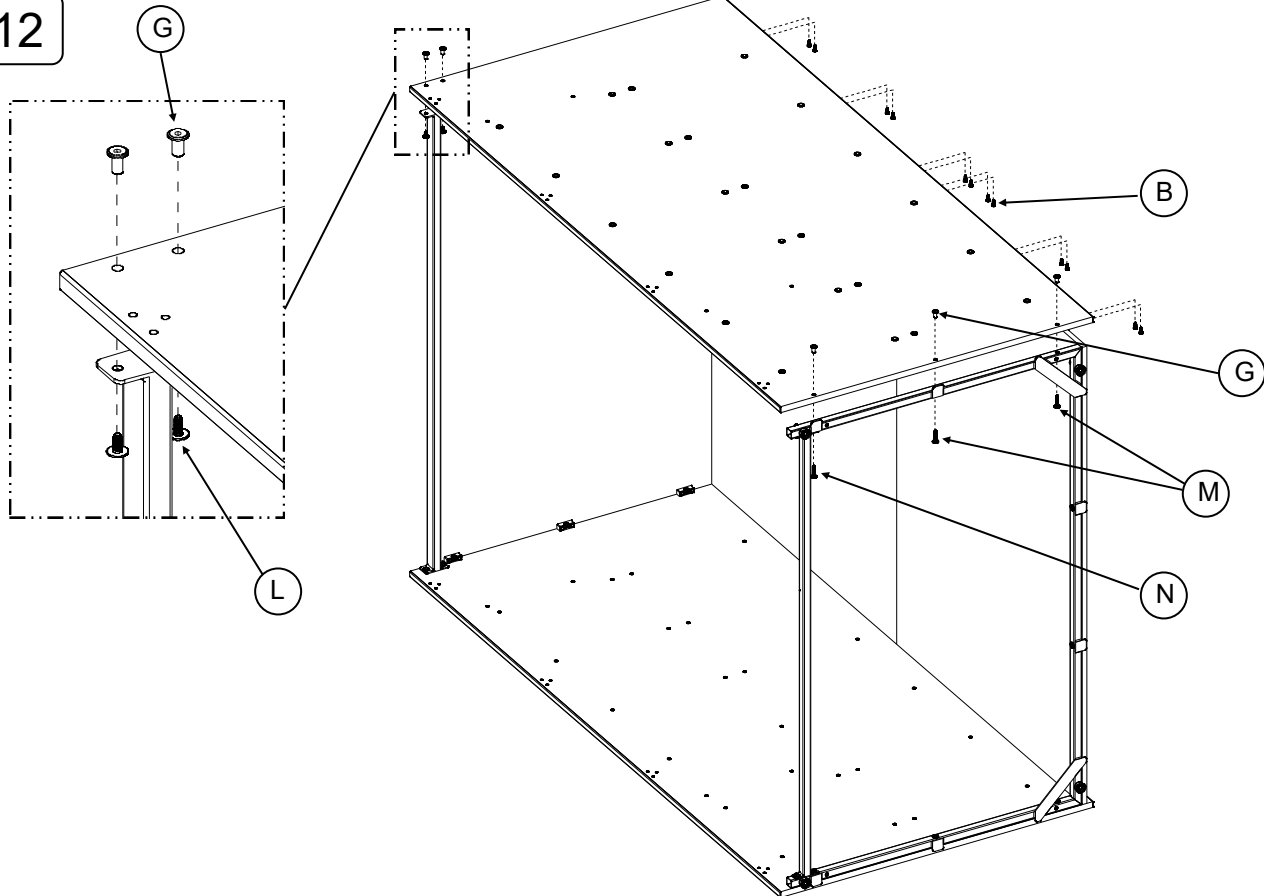
# Assembly Instructions

## BS171-3 60" String Cabinet

11



12

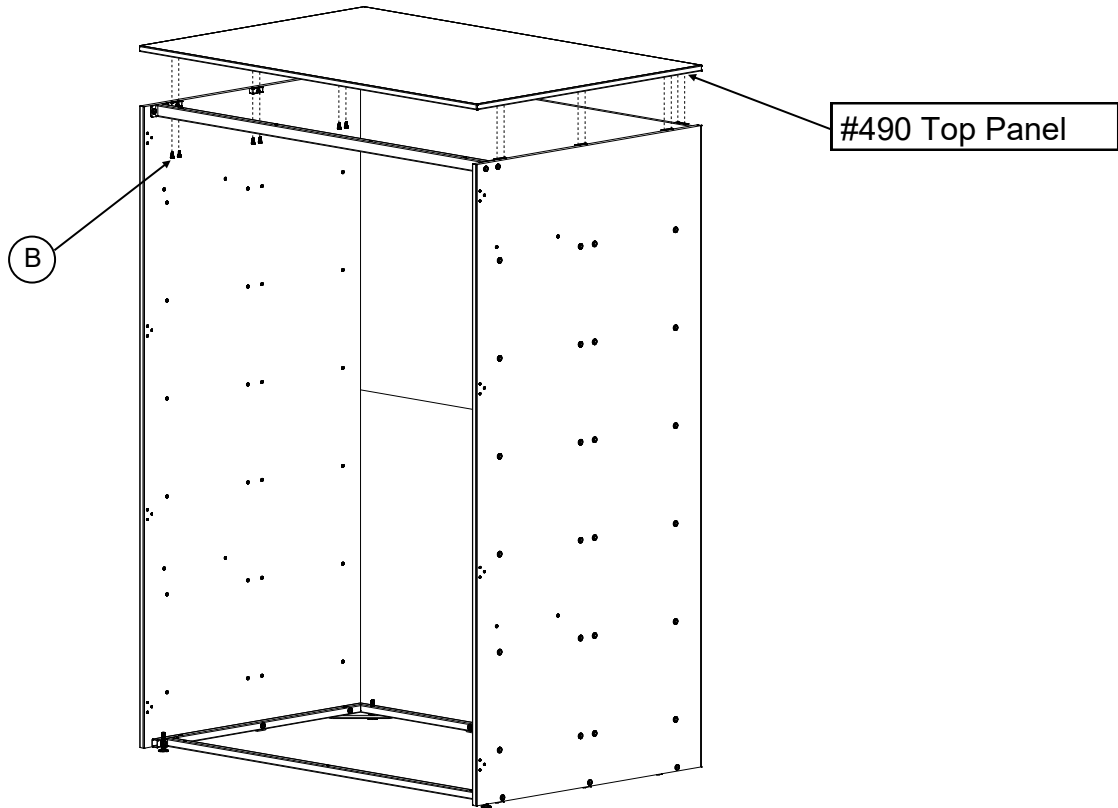




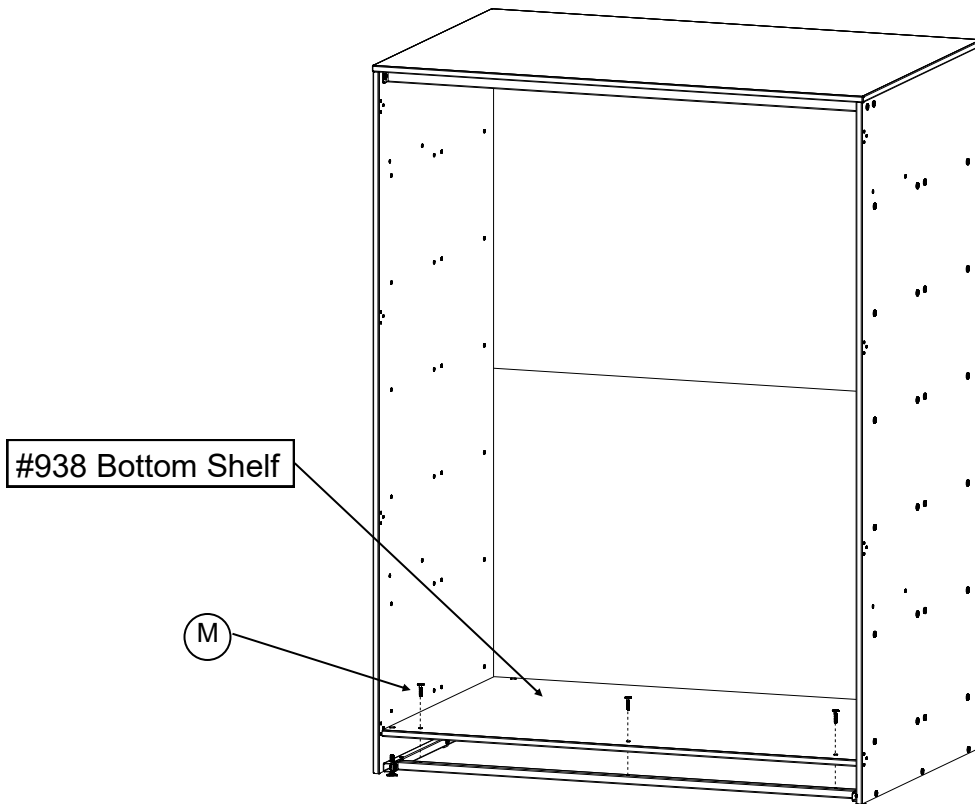
# Assembly Instructions

## BS171-3 60" String Cabinet

13



14

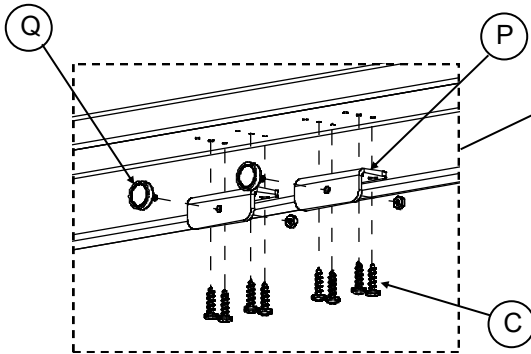




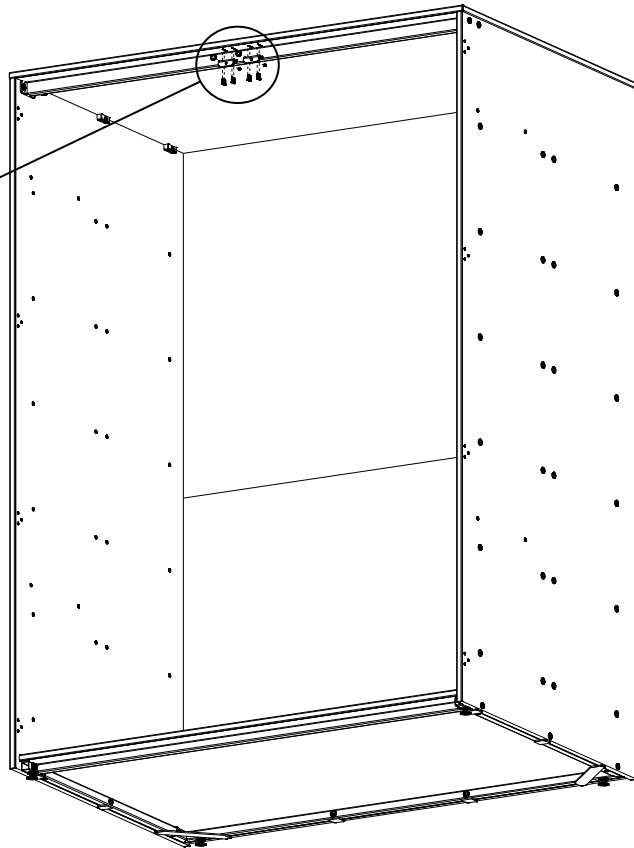
# Assembly Instructions

## BS171-3 60" String Cabinet

15

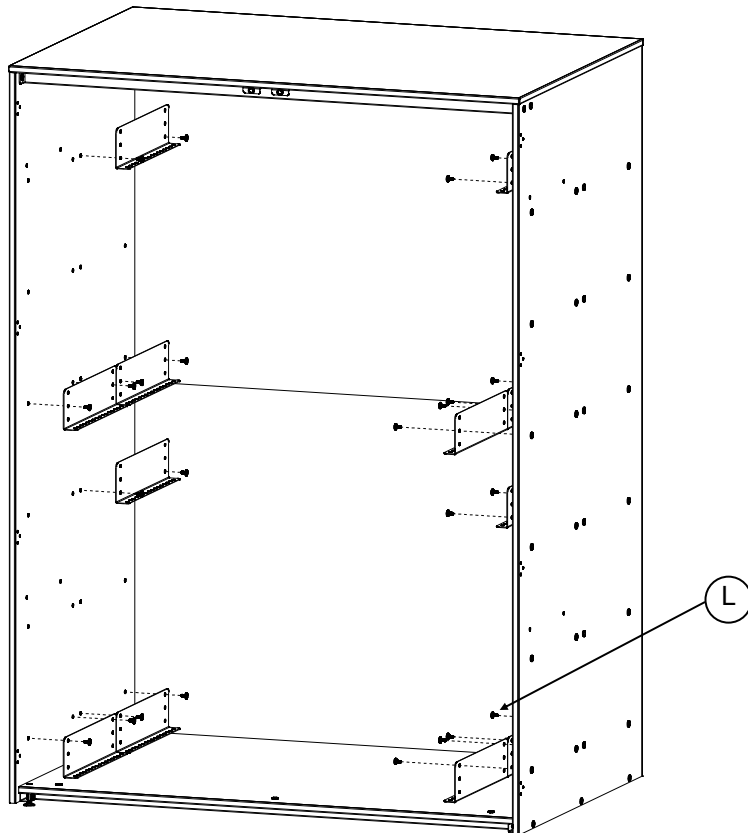


NOTE: Mount brackets (P) to the back set of holes.



16

NOTE: The interior instrument support structures can be installed in many configurations depending on the type of instrument to be stored. The brackets can be installed in an up or down orientation. The configuration represented in this manual is for 2 levels of standard guitars. Determine instruments to be stored and adjust accordingly. Each support bracket must have two bolts installed. Use two bolts (L) for each bracket.

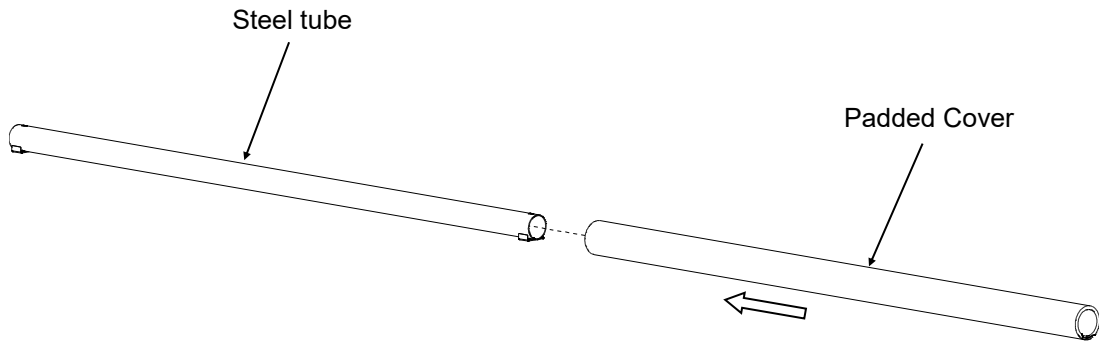




# Assembly Instructions

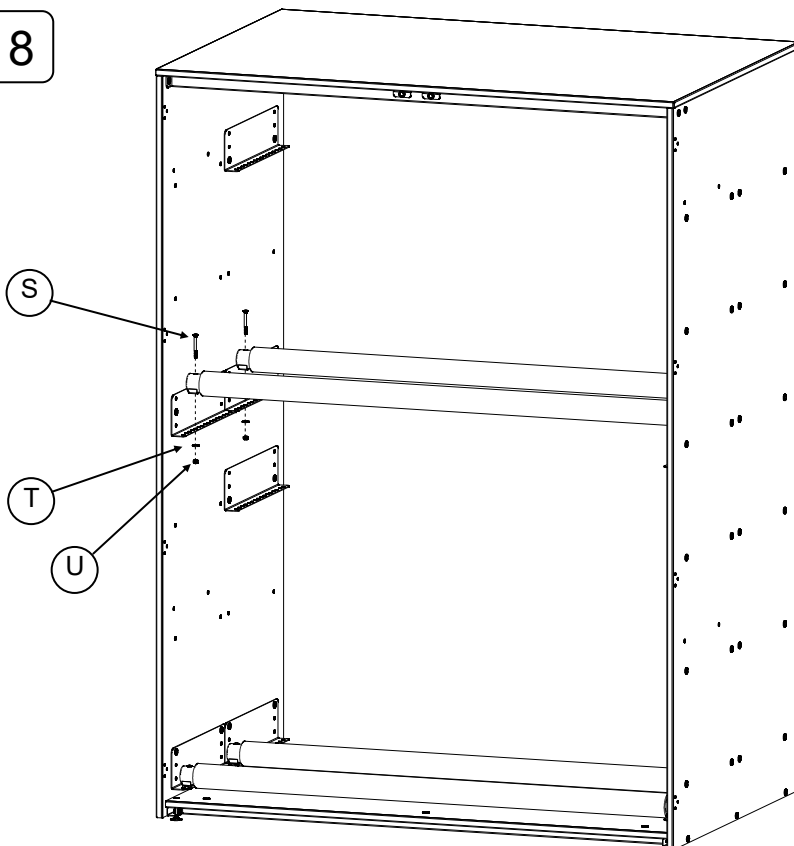
## BS171-3 60" String Cabinet

17



- Slide padded cover over steel support tube. Repeat for all tubes.

18



NOTE: The interior instrument support structures can be installed in many configurations depending on the type of instrument to be stored. The configuration represented in this manual is for 2 levels of standard guitars. Determine instruments to be stored and adjust accordingly. Install tubes with flat side down against bracket. Make sure padded cover is clear of the bracket. Use two bolts (S), two washers (T), and two lock-nuts (U) for each tube.

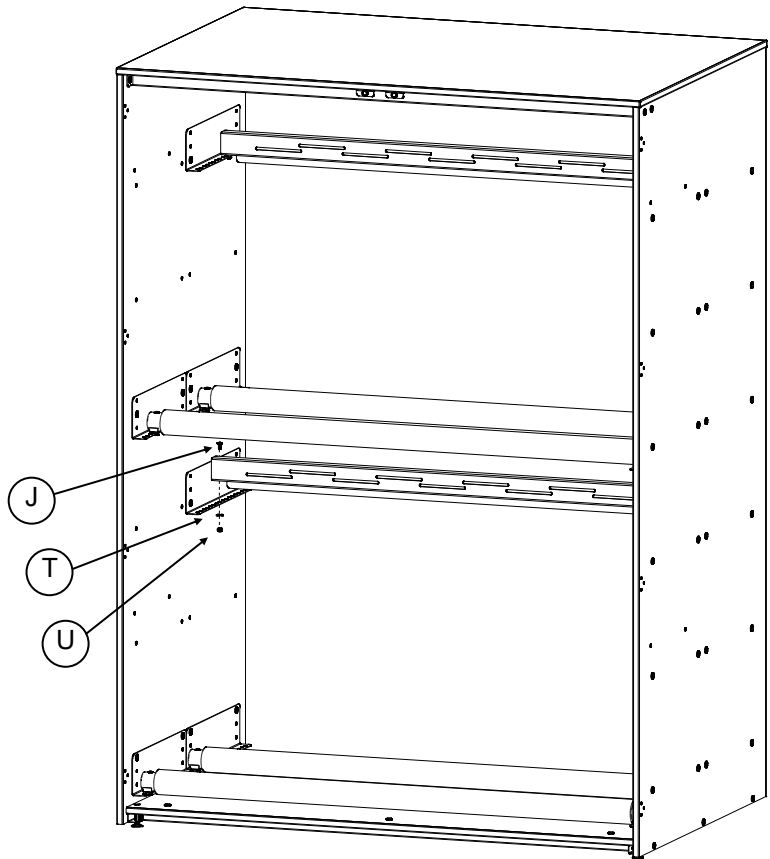


# Assembly Instructions

## BS171-3 60" String Cabinet

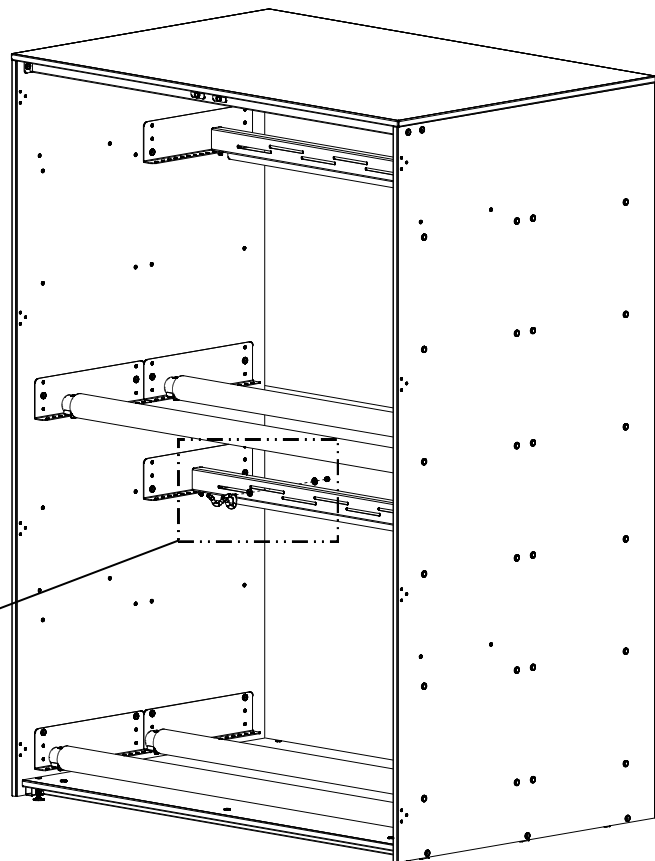
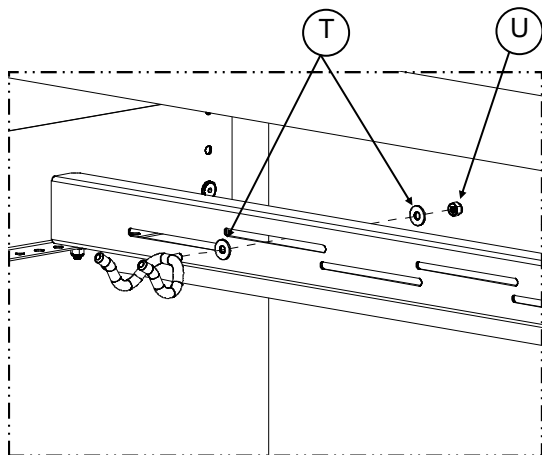
19

NOTE: The interior instrument support structures can be installed in many configurations depending on the type of instrument to be stored. The configuration represented in this manual is for 2 levels of standard guitars. Determine instruments to be stored and adjust accordingly. Position upper support rails to allow for instrument reclining angle of 30 to 45 degrees. Use two bolts (J), two washers (T), and two locknuts (U) for each support rail.



20

Optional neck yokes may be installed to secure the instruments in the cabinet. Different sizes are available depending on instrument type and size. Individual yokes may be installed in various positions along the upper support rail. Install using two flat washers (T), one on each side of slot in the rail, and one locknut (U) for each yoke.

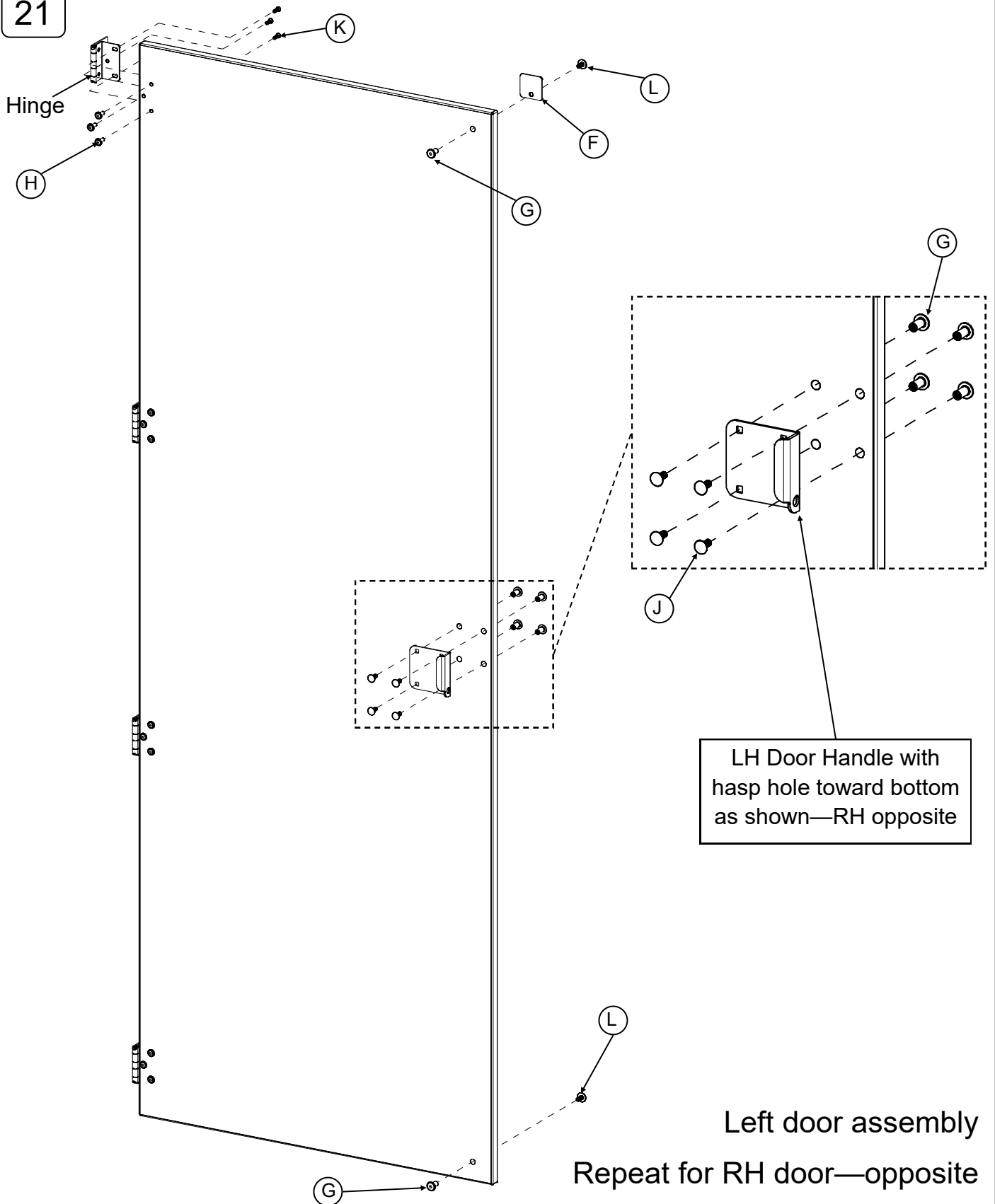




# Assembly Instructions

## BS171-3 60" String Cabinet

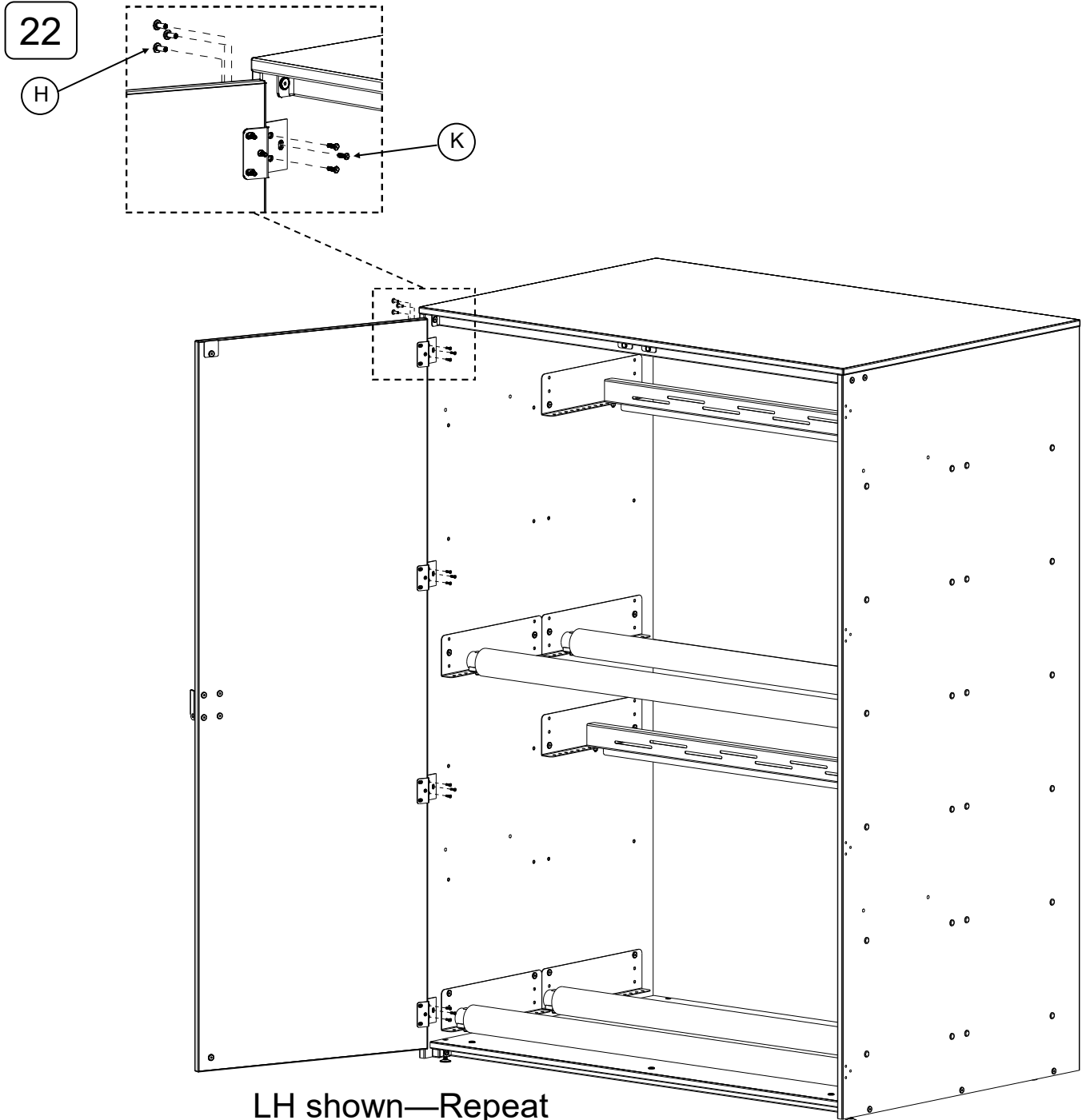
21





# Assembly Instructions

## BS171-3 60" String Cabinet



LH shown—Repeat  
for RH Door

After assembly and placed in desired location the cabinet should be checked for square and level using the 4 leveling feet. Cabinet may be attached to adjacent cabinets or be used freestanding. If freestanding, the cabinet should be anchored to the floor using suitable floor anchors (not included). Before anchoring make sure cabinet is square, level, and that doors open and close properly.