

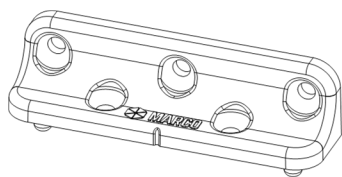
Tools needed for assembly:

- #2 Phillips Screwdriver
- 4mm Hex Key (Included)
- 3/16" Hex Key (Included)
- Tape Measure
- Level
- Rubber Mallet
- 7/16" Wrench

Fasteners and Hardware

(A) x 21

Fastener Block



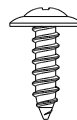
(B) x 105

Fastener Block Screw



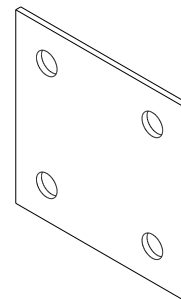
(D) x 8

#8 x 5/8" Truss Screw



(E) x 2

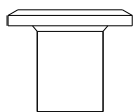
Joint Plate



(F) x 8

1/4"-20 x 12mm

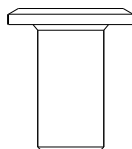
Cap Nut



(G) x 14

1/4"-20 x 17mm

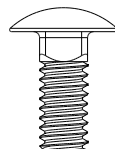
Cap Nut



(J) x 4

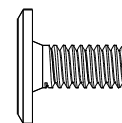
1/4"-20 x 5/8"

Carriage Bolt



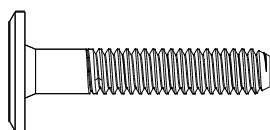
(L) x 30

1/4"-20 x 15mm Bolt



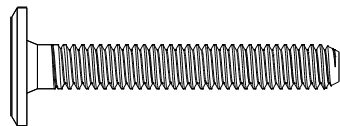
(M) x 11

1/4"-20 x 35mm Bolt



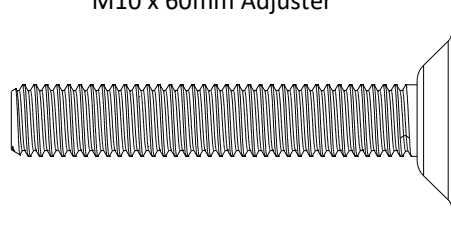
(N) x 2

1/4"-20 x 45mm Bolt



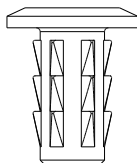
(O) x 4

M10 x 60mm Adjuster



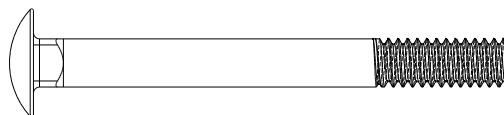
(R) x 48

1/4"-20 Cap Nut w/Barb



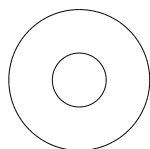
(S) x 8

1/4"-20 x 2-1/2" Carriage Bolt



(T) x 40

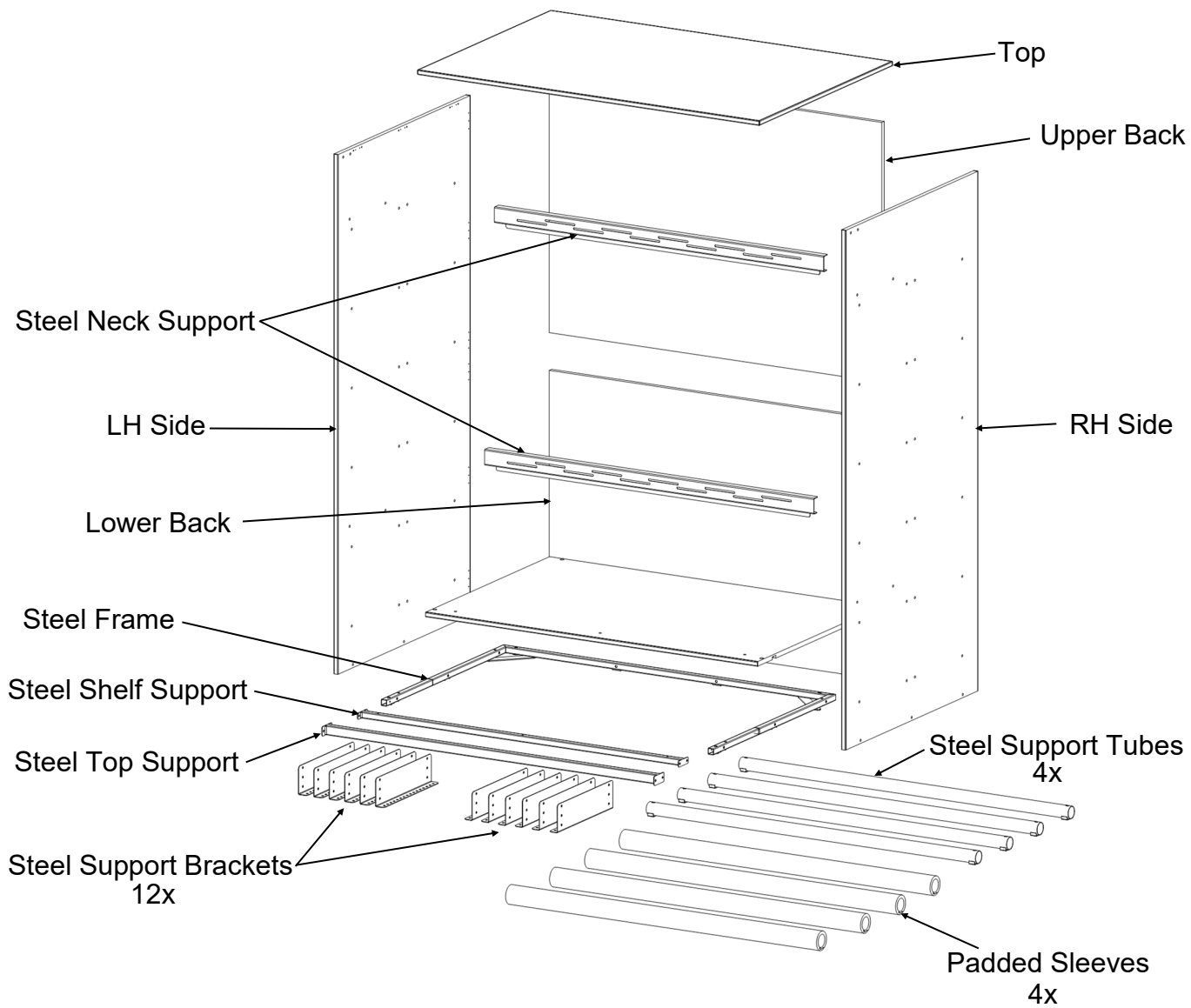
1/4" Flat Washer



(U) x 26

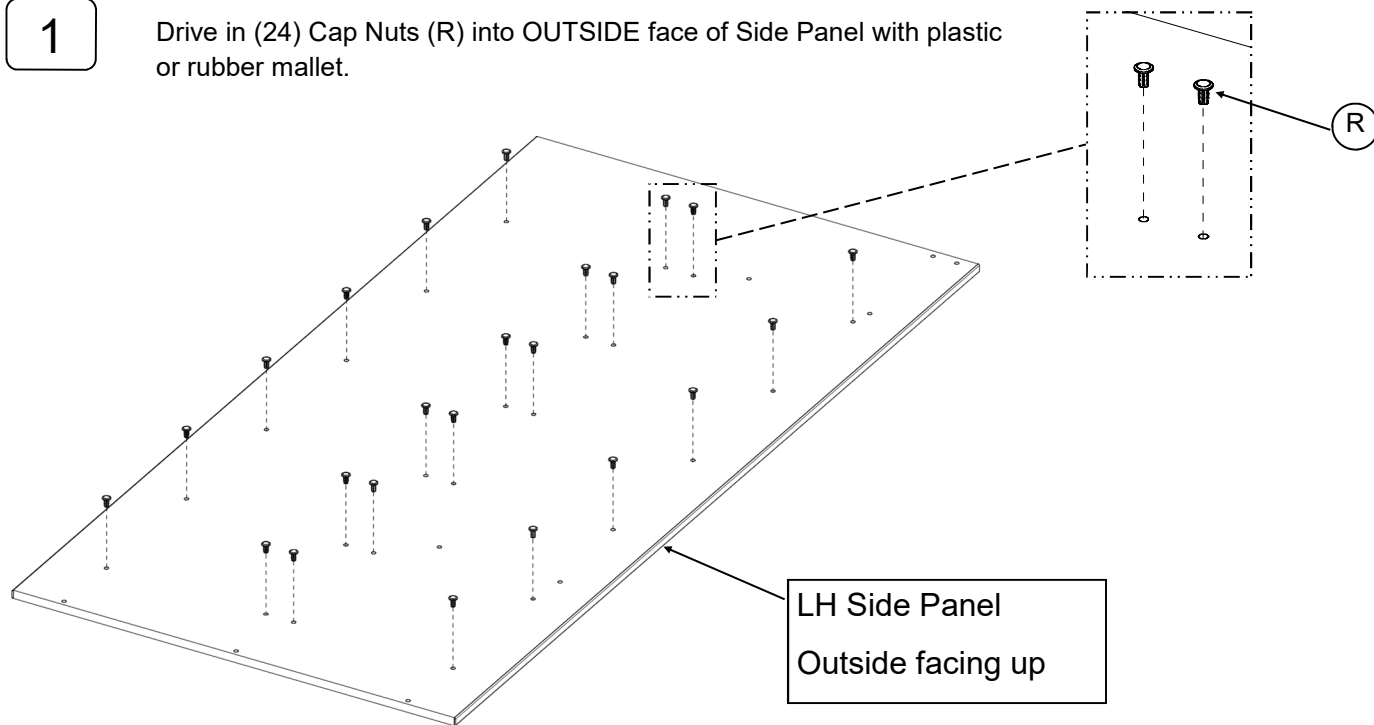
1/4" Nylock Nut



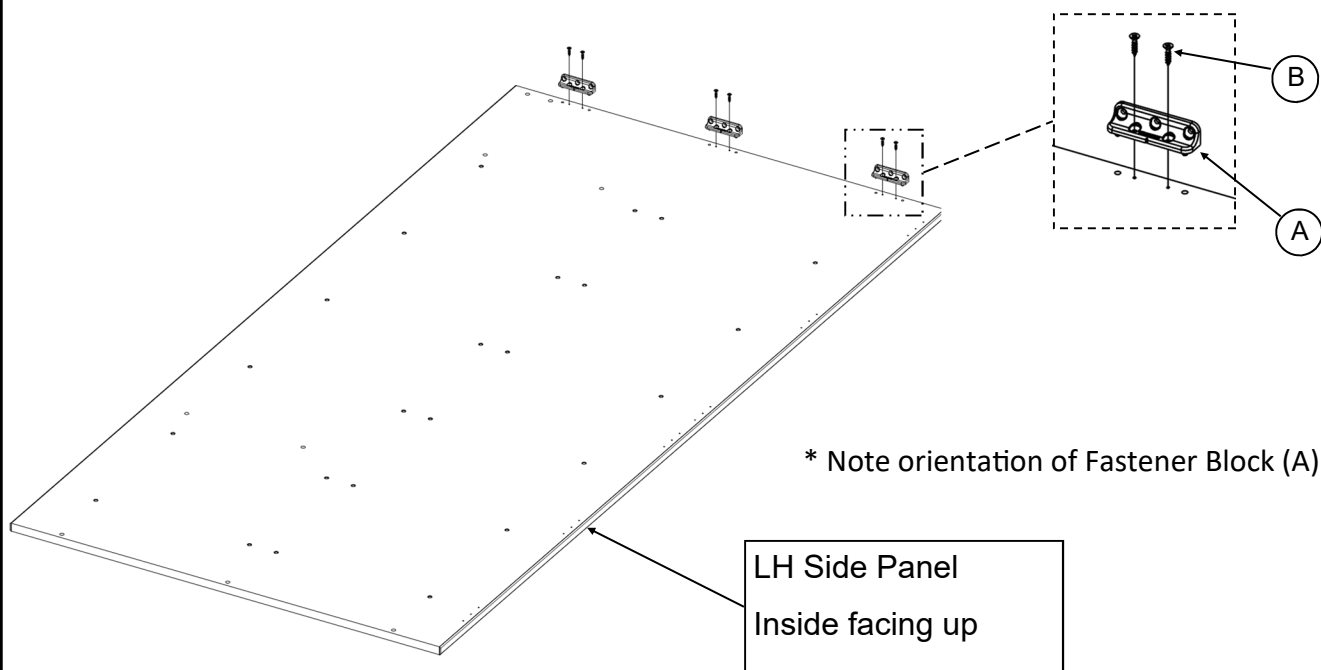


1

Drive in (24) Cap Nuts (R) into OUTSIDE face of Side Panel with plastic or rubber mallet.



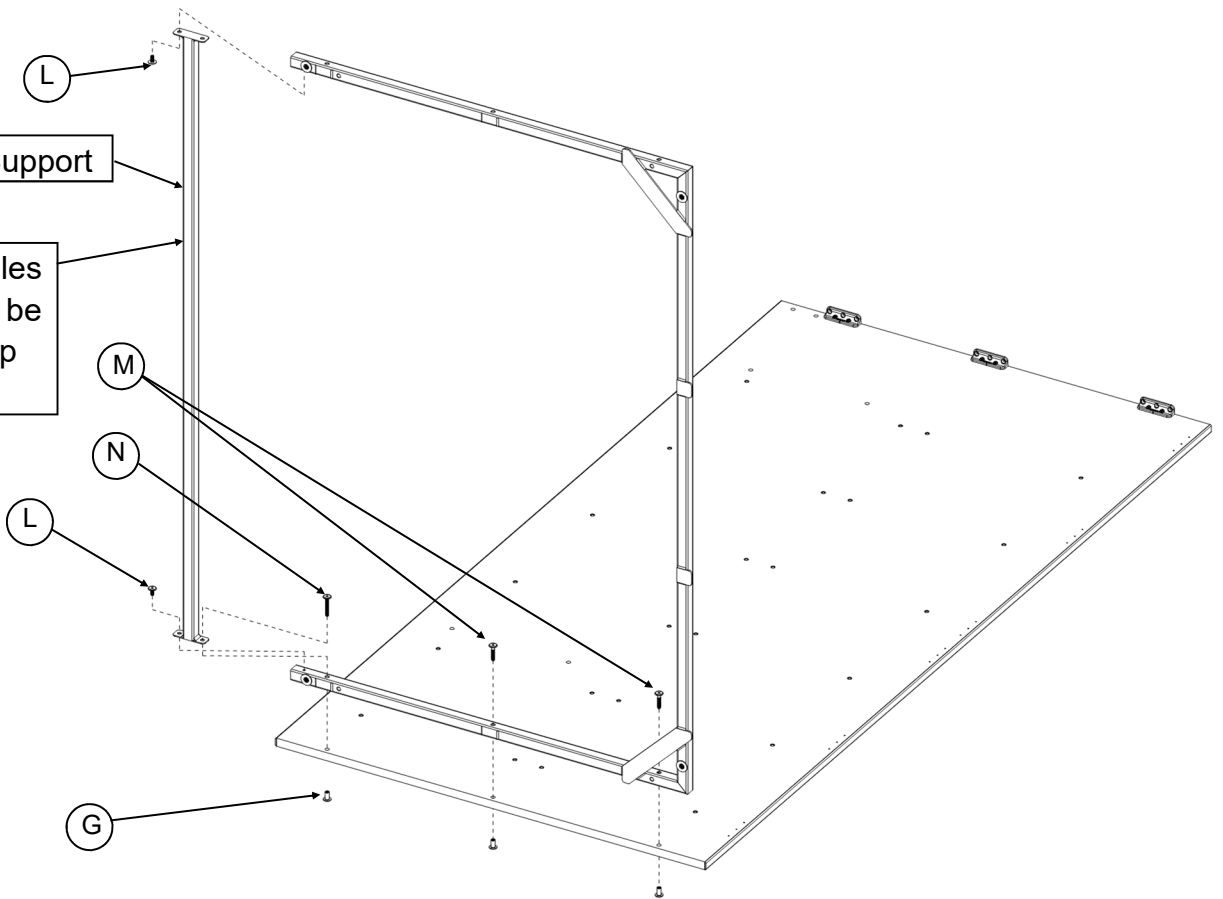
2



3

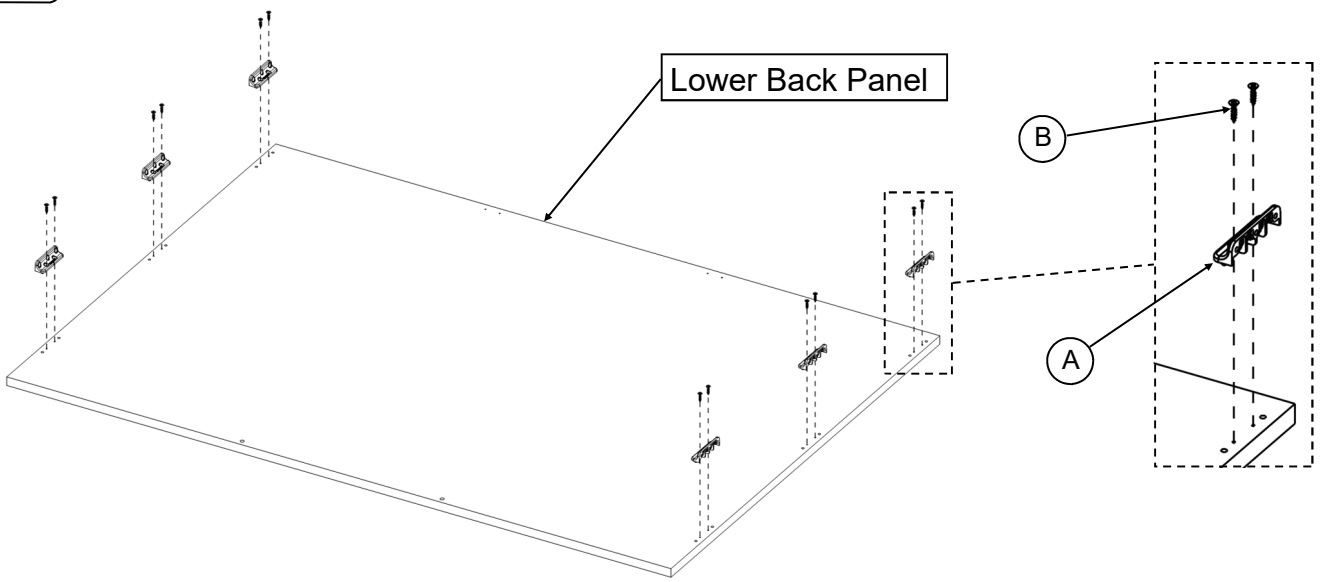
Steel Shelf Support

3 tapped holes on rail must be oriented up



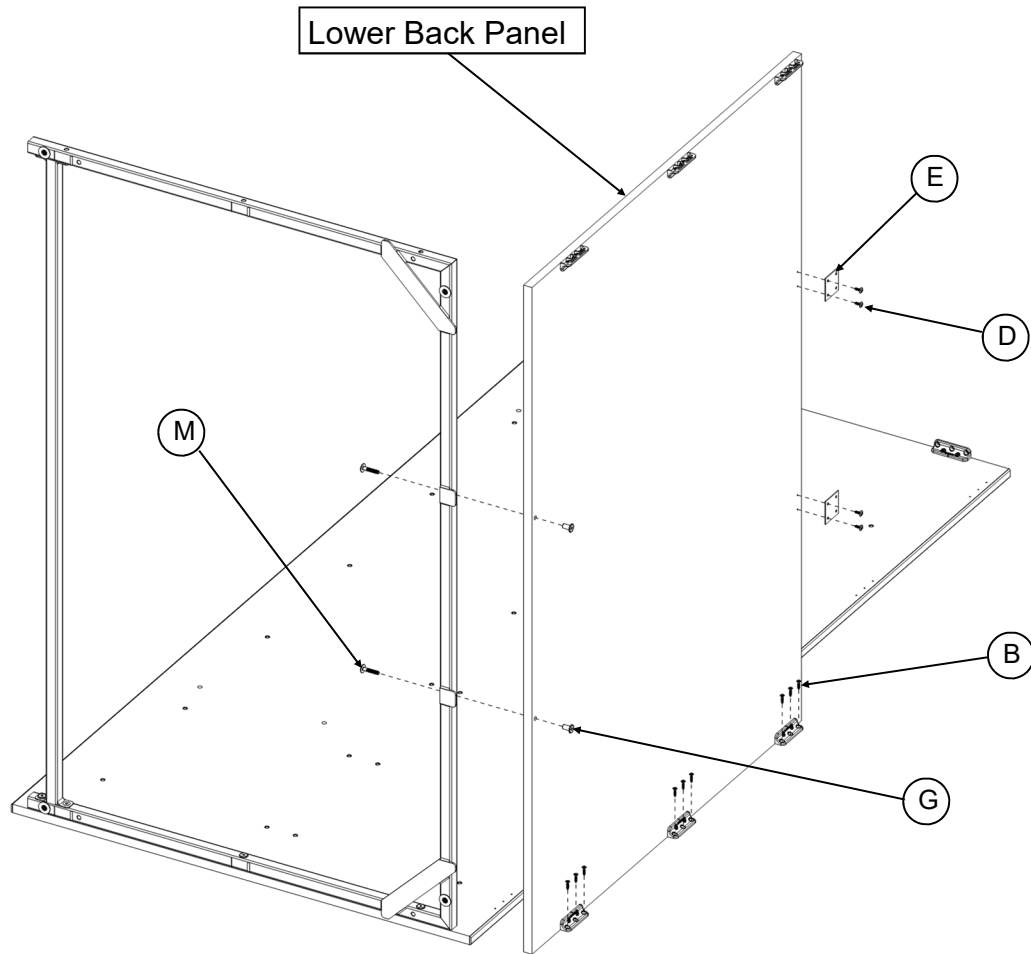
4

Lower Back Panel

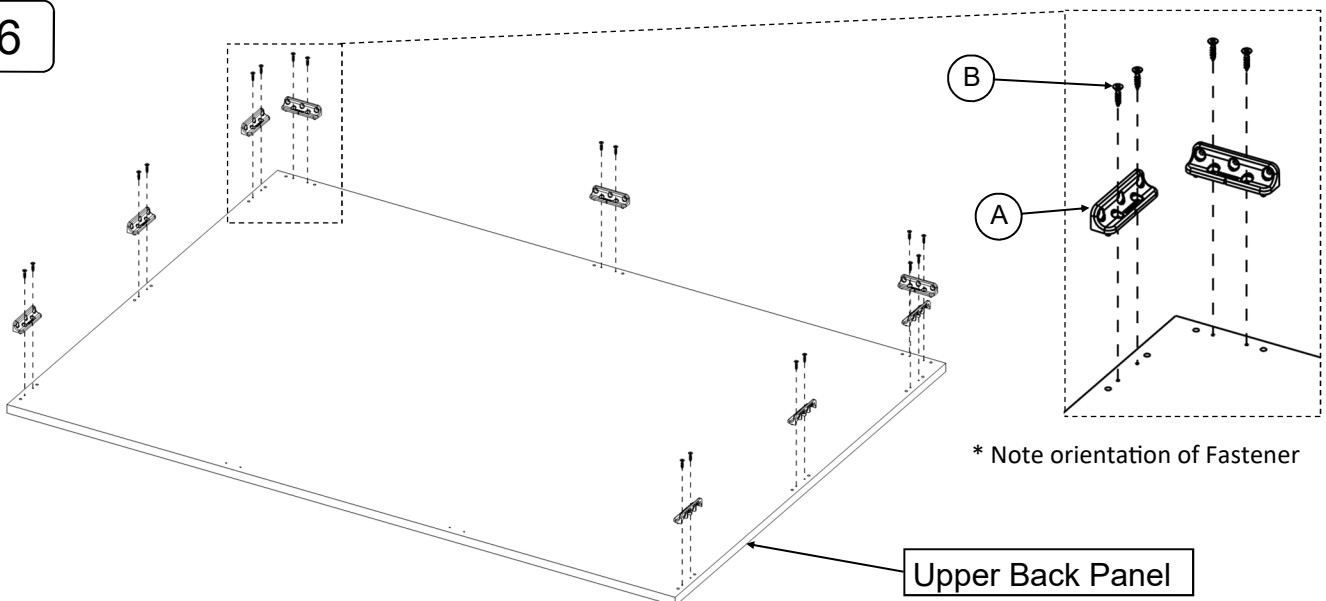


* Note orientation of Fastener Block (A)

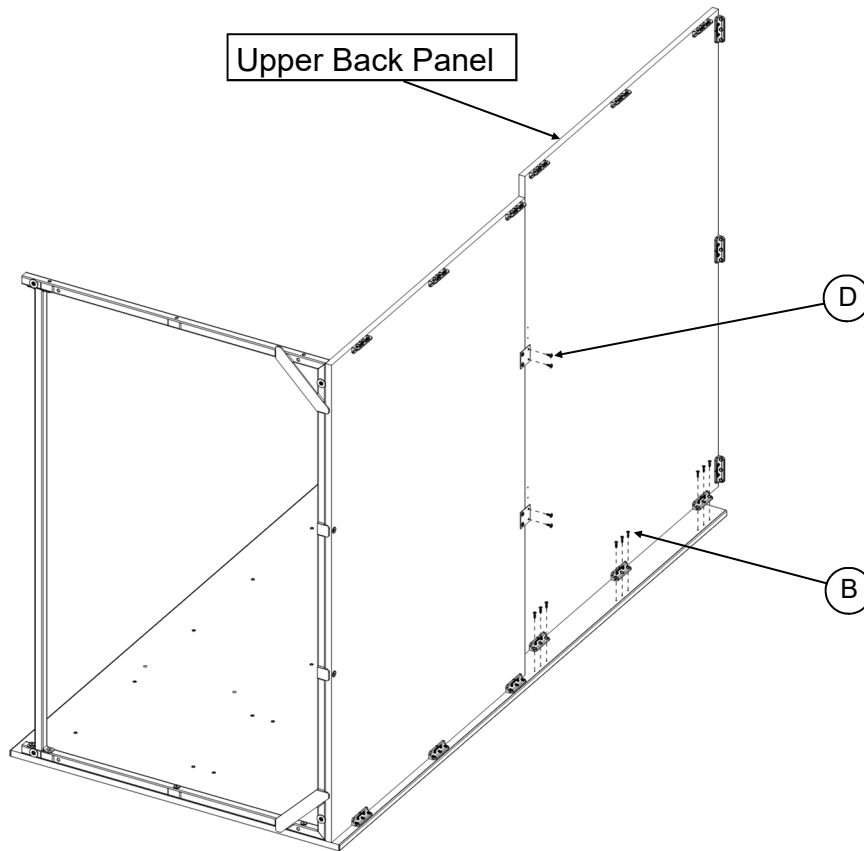
5



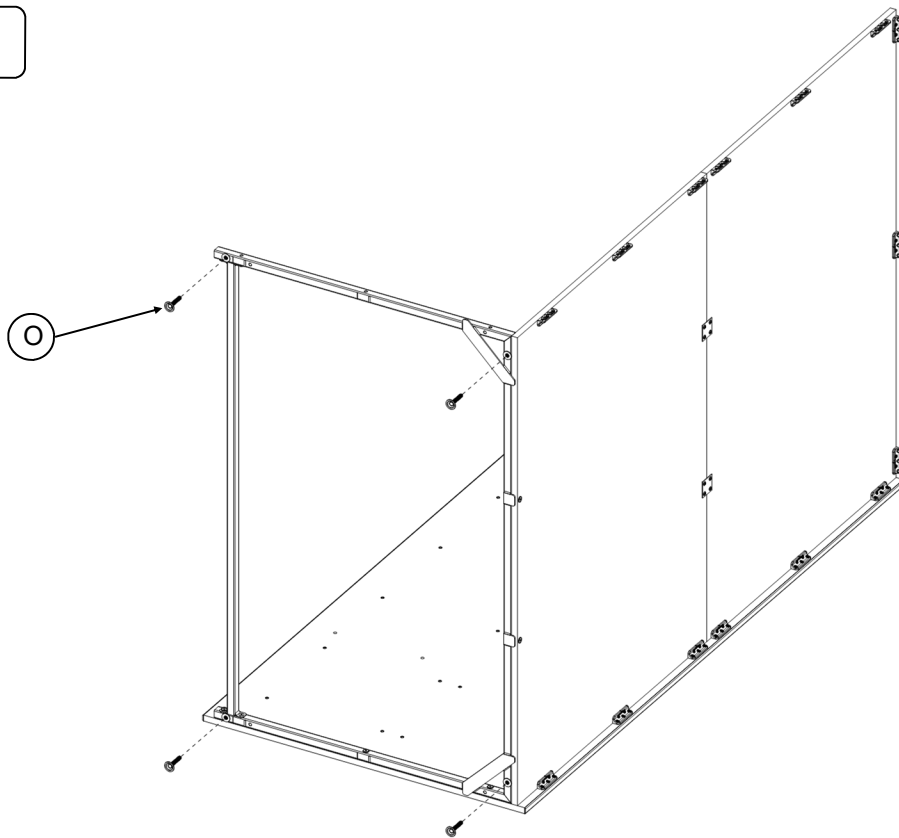
6

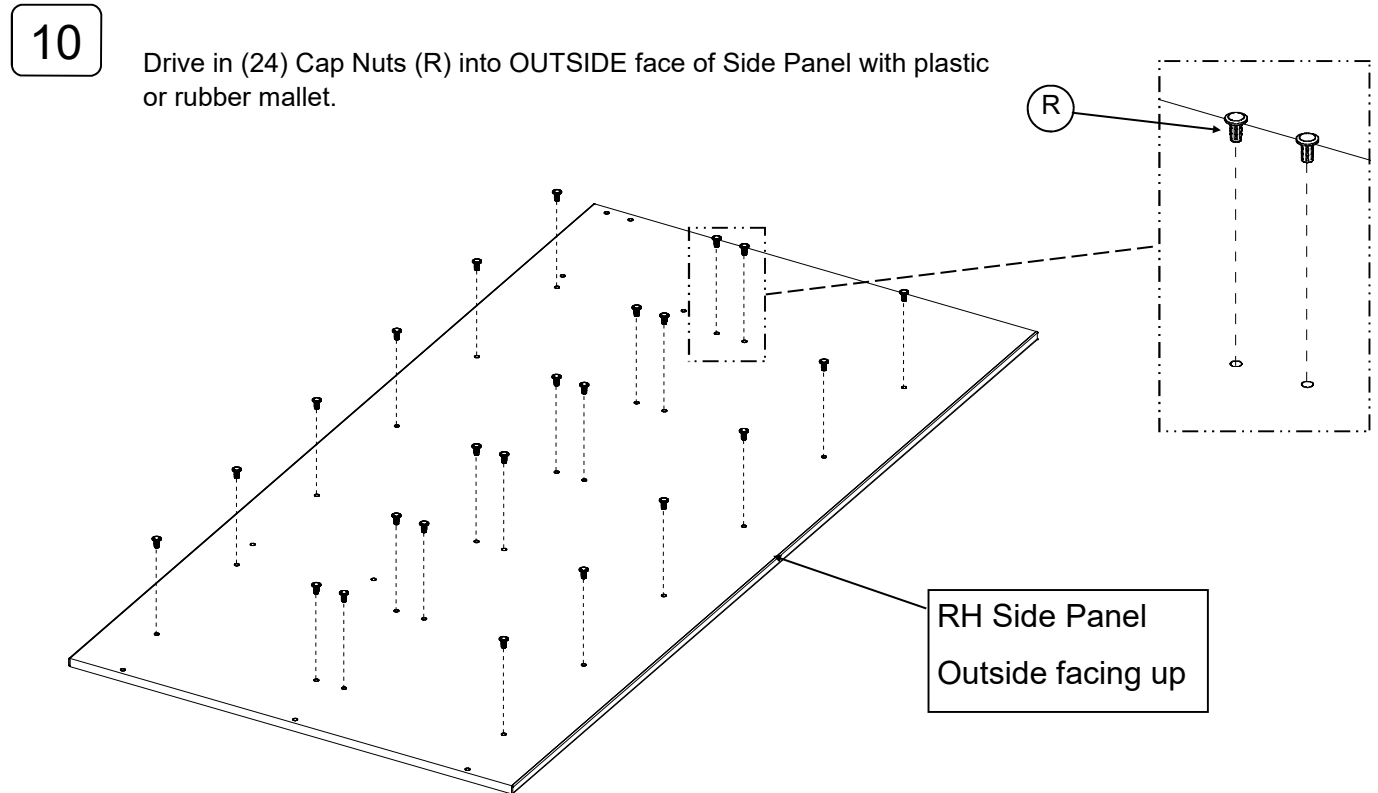
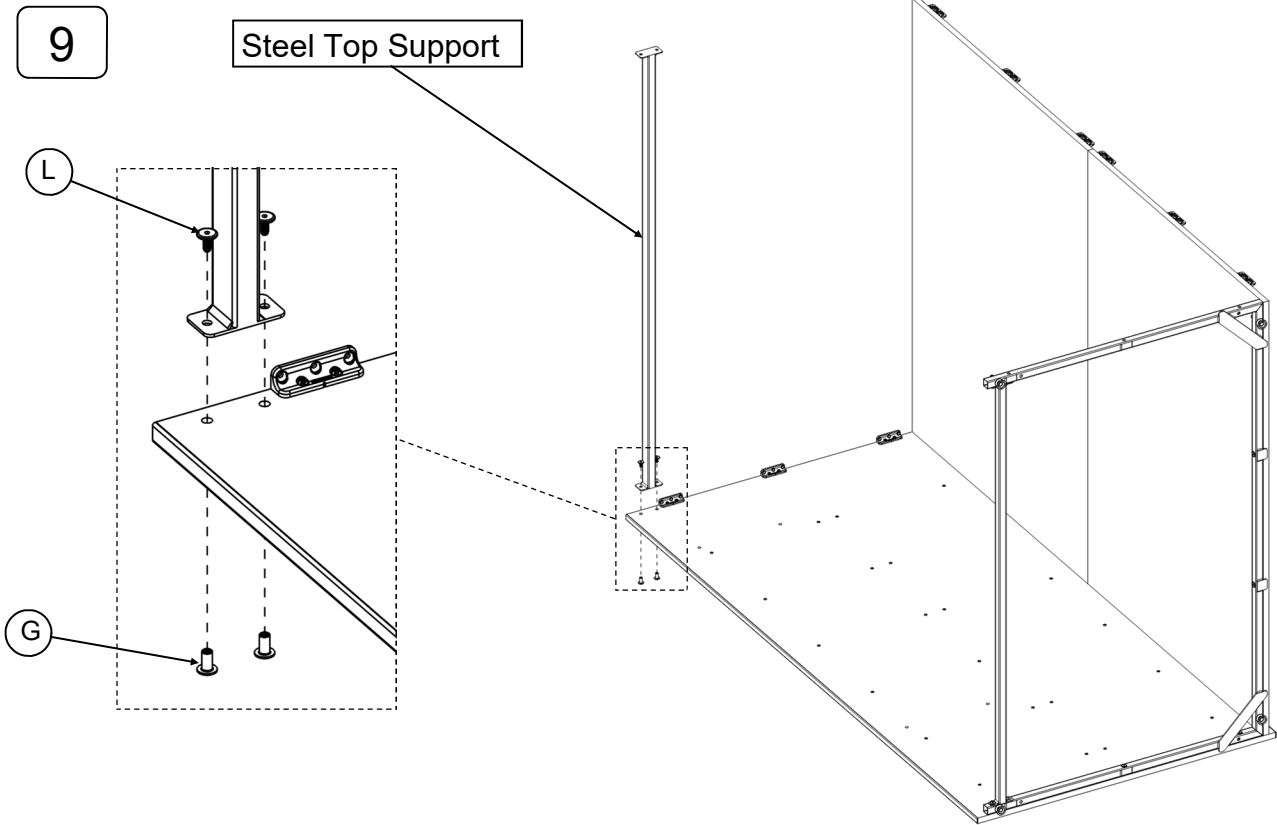


7

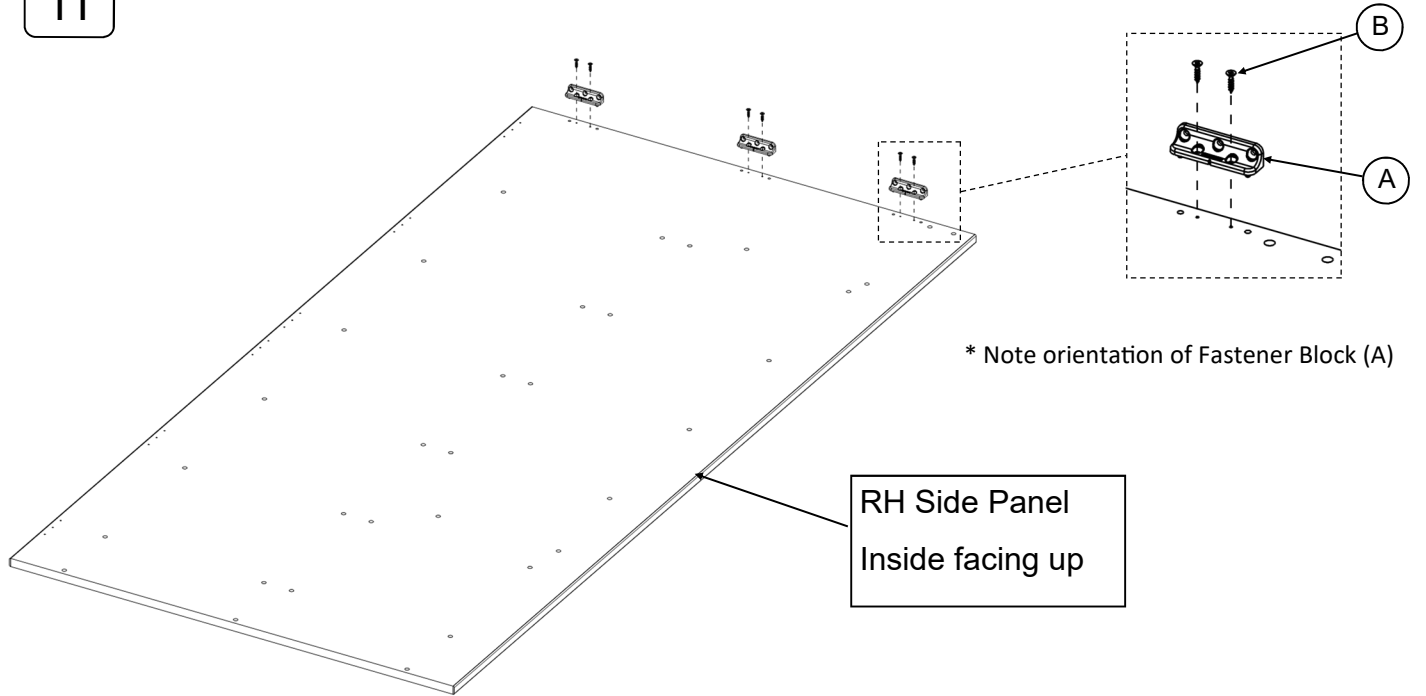


8

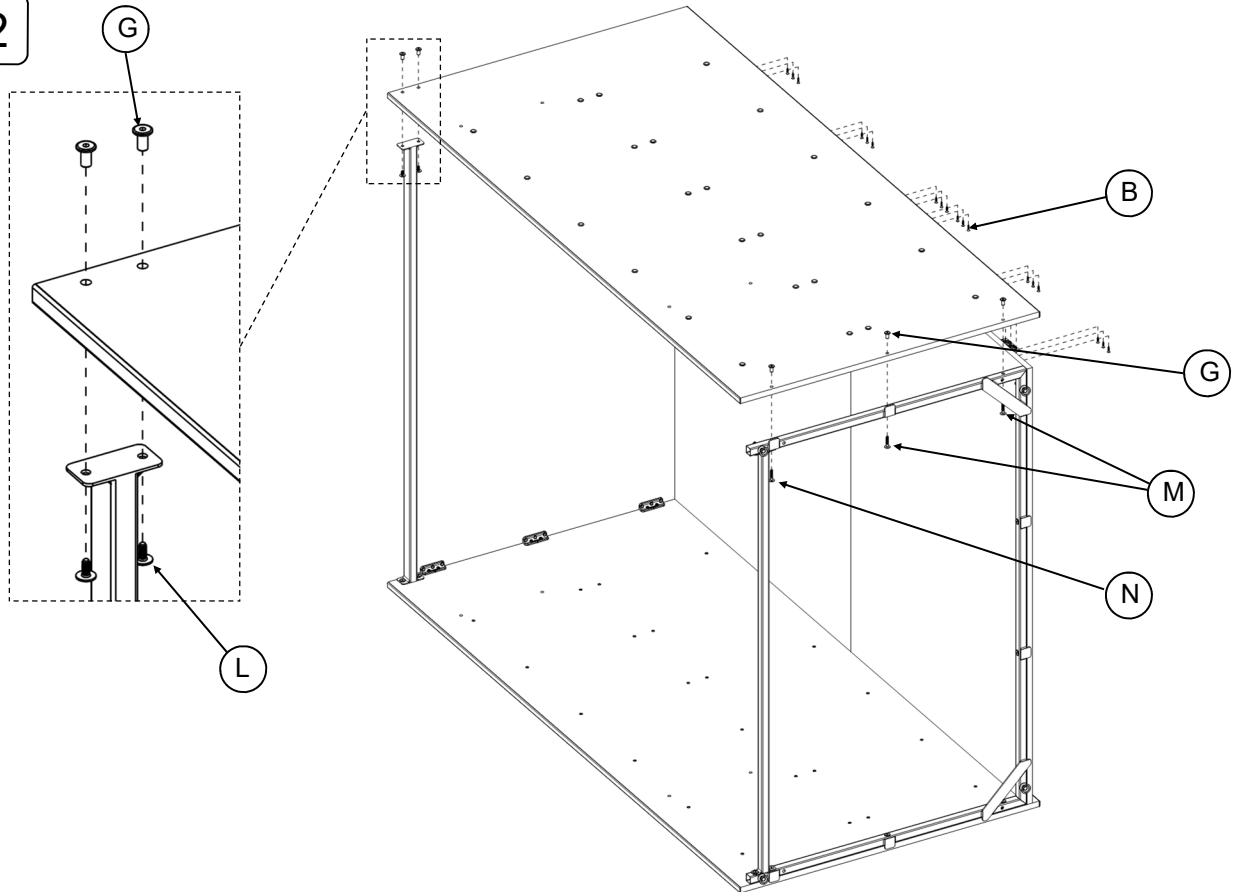




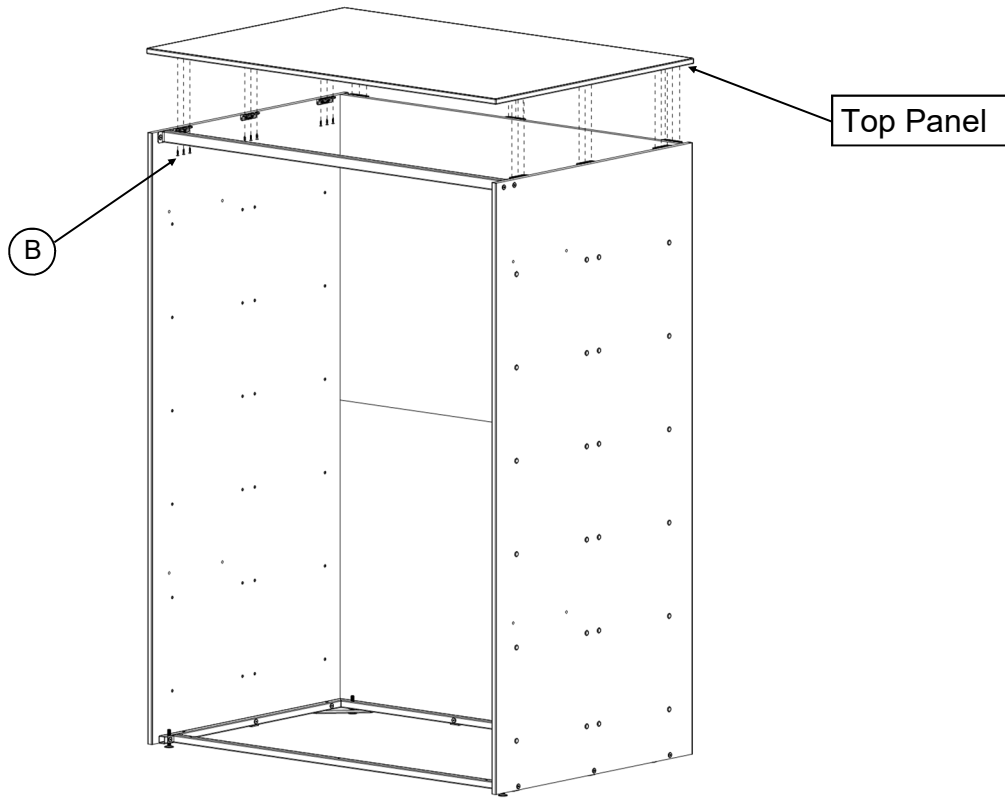
11



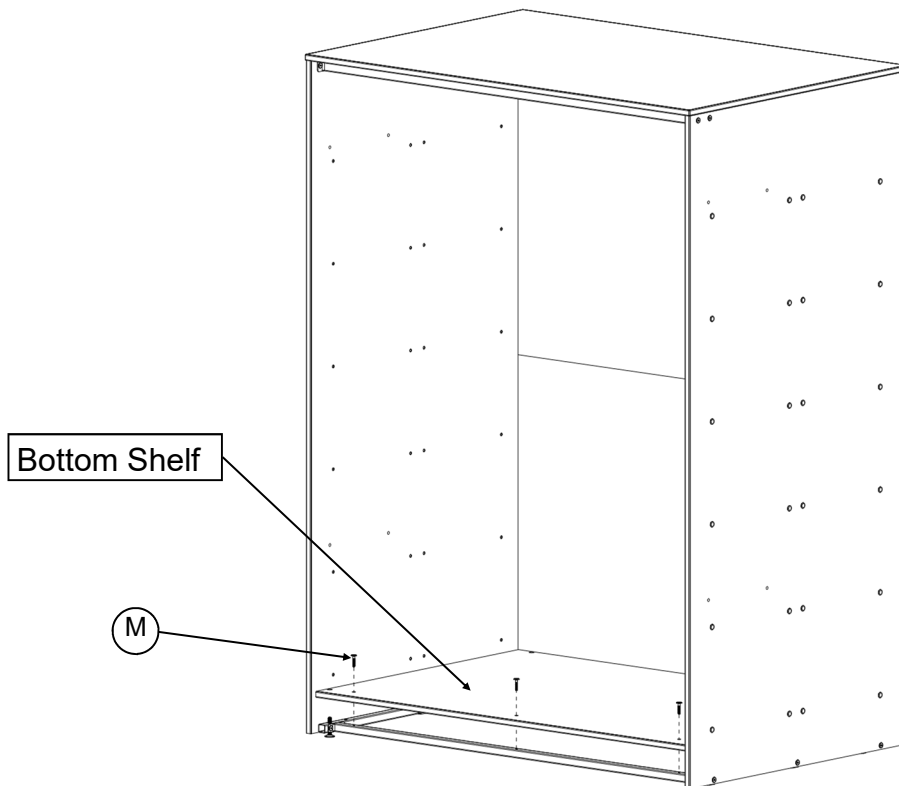
12



13



14

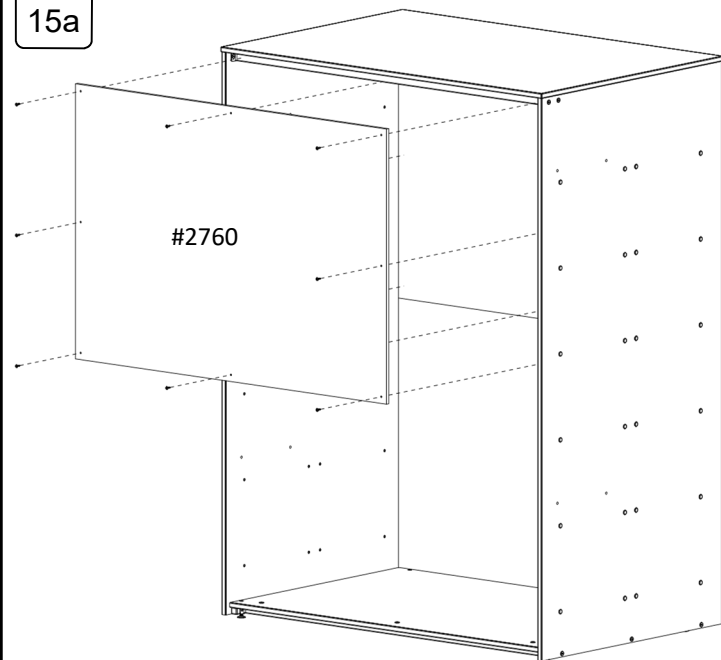


15

Skip this step if optional acoustic felt panels not ordered.

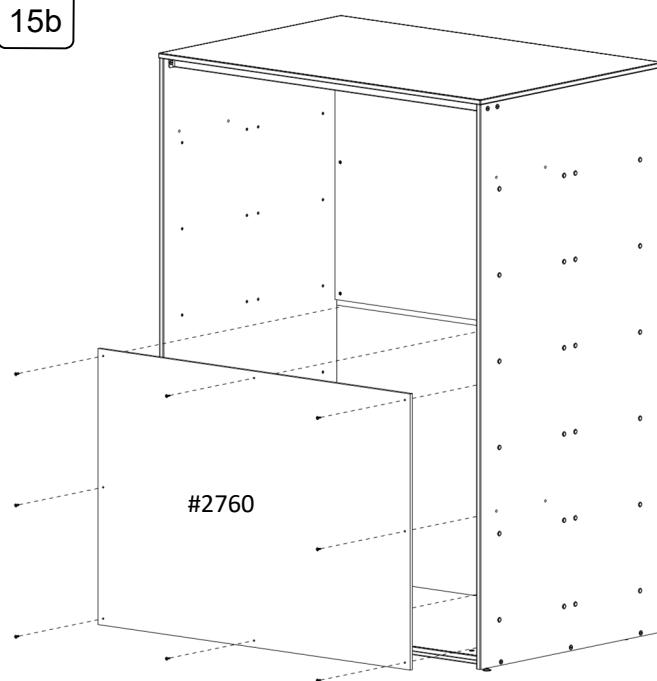
Panels must be installed prior to shelf installation in the following steps.

15a



Place acoustic panel against back wall and up against top panel. Attach with (8) #8x3/4 truss screws.

15b



Place acoustic panel against back wall and up against previous panel. Attach with (8) #8x3/4 truss screws.

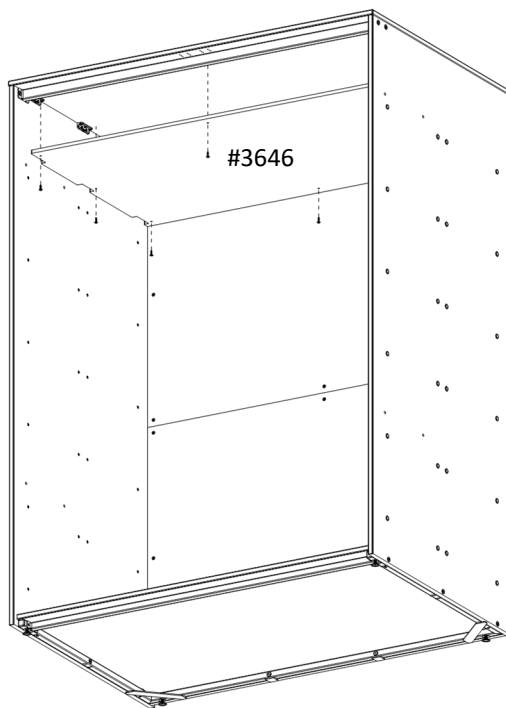
DO NOT OVERTIGHTEN SCREWS. Only tighten until screw head contacts acoustic panel.

15c

Place top acoustic panel up against top panel.
Attach with (8) #8x3/4 truss screws.

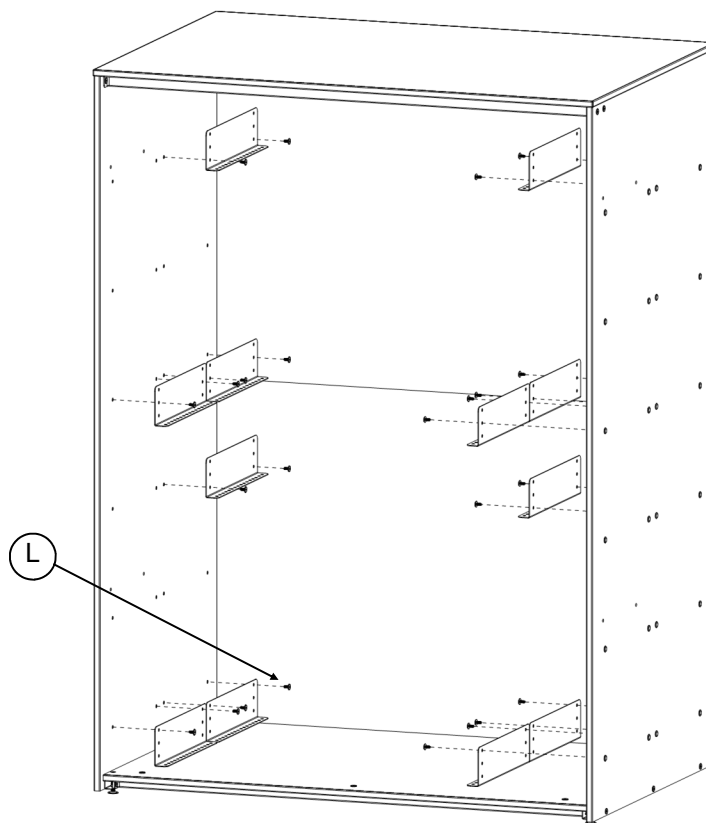


#8x3/4 Truss Screw

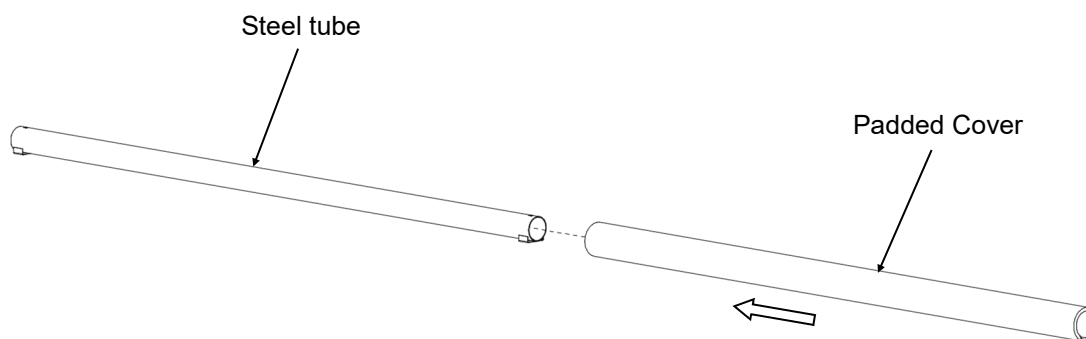


16

NOTE: The interior instrument support structures can be installed in many configurations depending on the type of instrument to be stored. The brackets can be installed in an up or down orientation. The configuration represented in this manual is for 2 levels of standard guitars. Determine instruments to be stored and adjust accordingly. Each support bracket must have two bolts installed. Use two bolts (L) for each bracket.

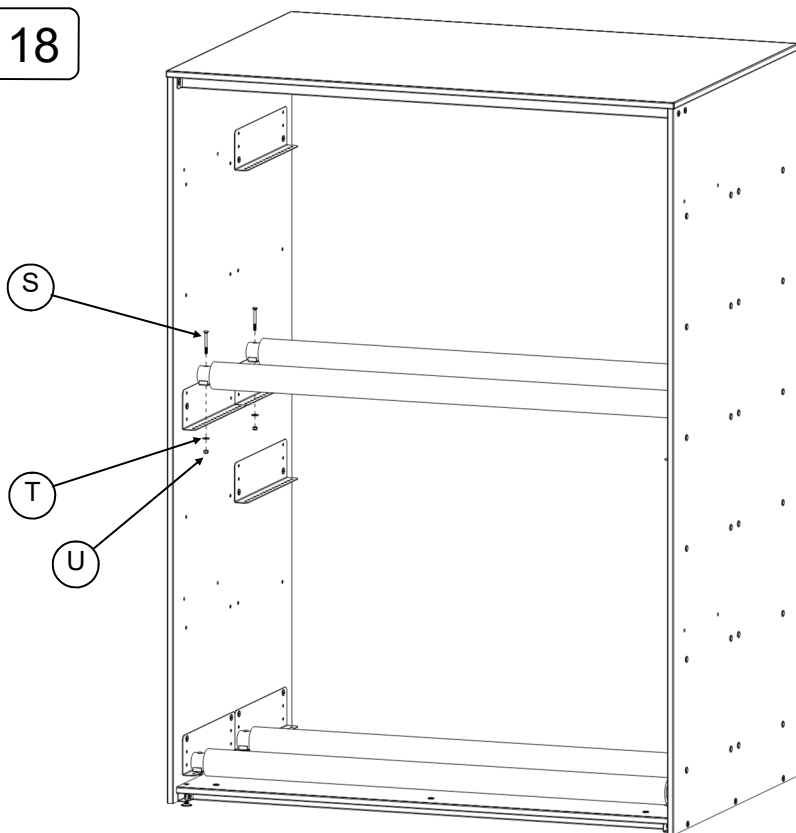


17



- Slide padded cover over steel support tube. Repeat for all tubes.

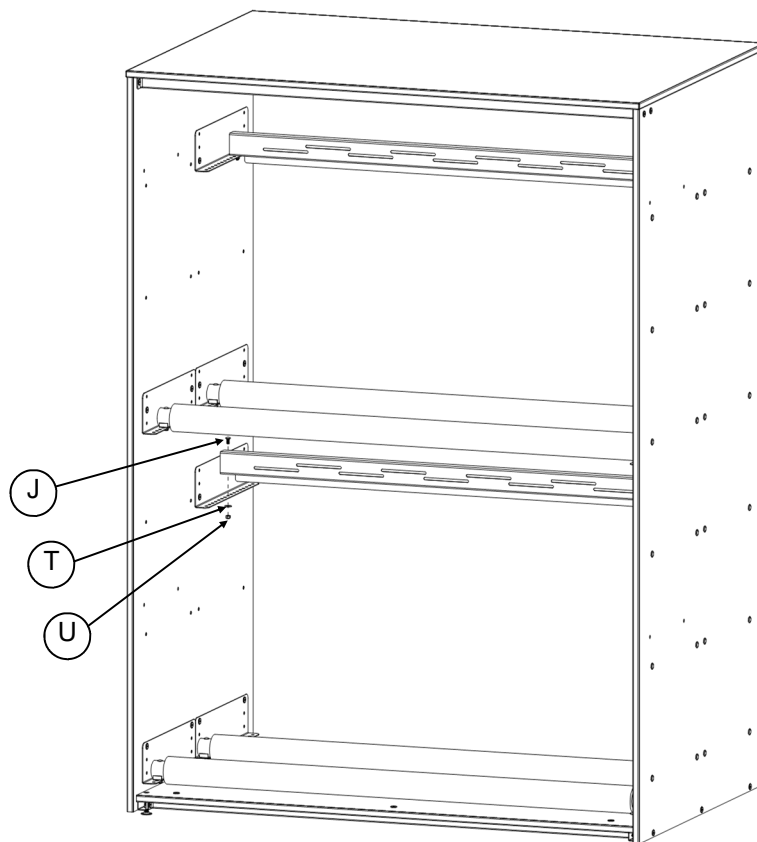
18



NOTE: The interior instrument support structures can be installed in many configurations depending on the type of instrument to be stored. The configuration represented in this manual is for 2 levels of standard guitars. Determine instruments to be stored and adjust accordingly. Install tubes with flat side down against bracket. Make sure padded cover is clear of the bracket. Use two bolts (S), two washers (T), and two locknuts (U) for each tube.

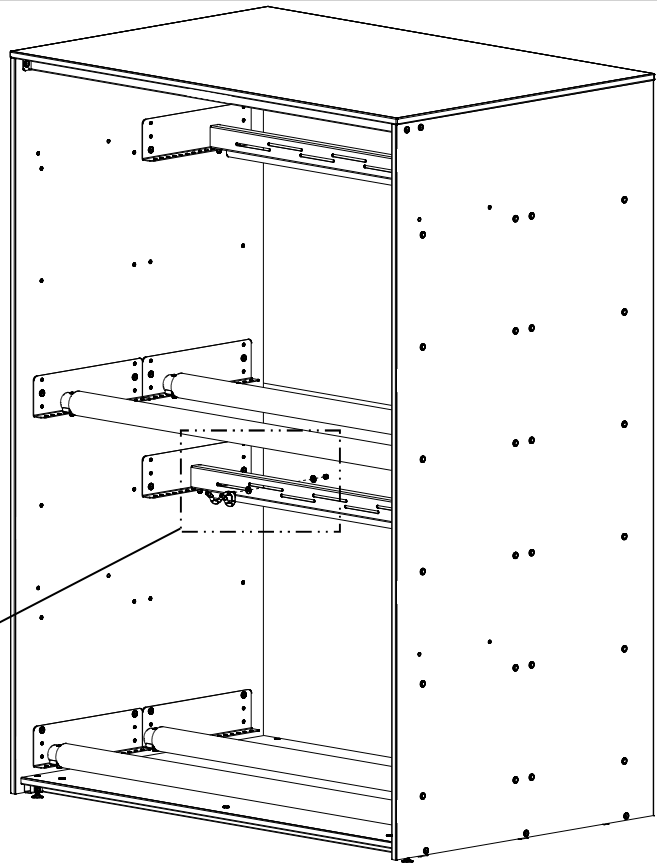
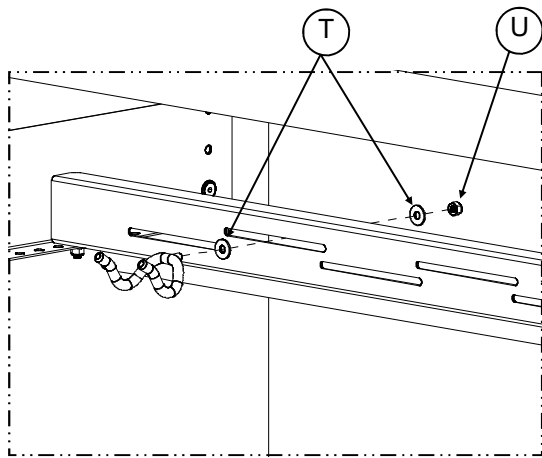
19

NOTE: The interior instrument support structures can be installed in many configurations depending on the type of instrument to be stored. The configuration represented in this manual is for 2 levels of standard guitars. Determine instruments to be stored and adjust accordingly. Position upper support rails to allow for instrument reclining angle of 30 to 45 degrees. Use two bolts (J), two washers (T), and two locknuts (U) for each support rail.



20

Optional neck yokes may be installed to secure the instruments in the cabinet. Different sizes are available depending on instrument type and size. Individual yokes may be installed in various positions along the upper support rail. Install using two flat washers (T), one on each side of slot in the rail, and one locknut (U) for each yoke.



After assembly and placed in desired location the cabinet should be checked for square and level using the 4 leveling feet. Cabinet may be attached to adjacent cabinets or be used freestanding. If freestanding, the cabinet should be anchored to the floor using suitable floor anchors (not included). Before anchoring make sure cabinet is square, level, and that doors open and close properly.