



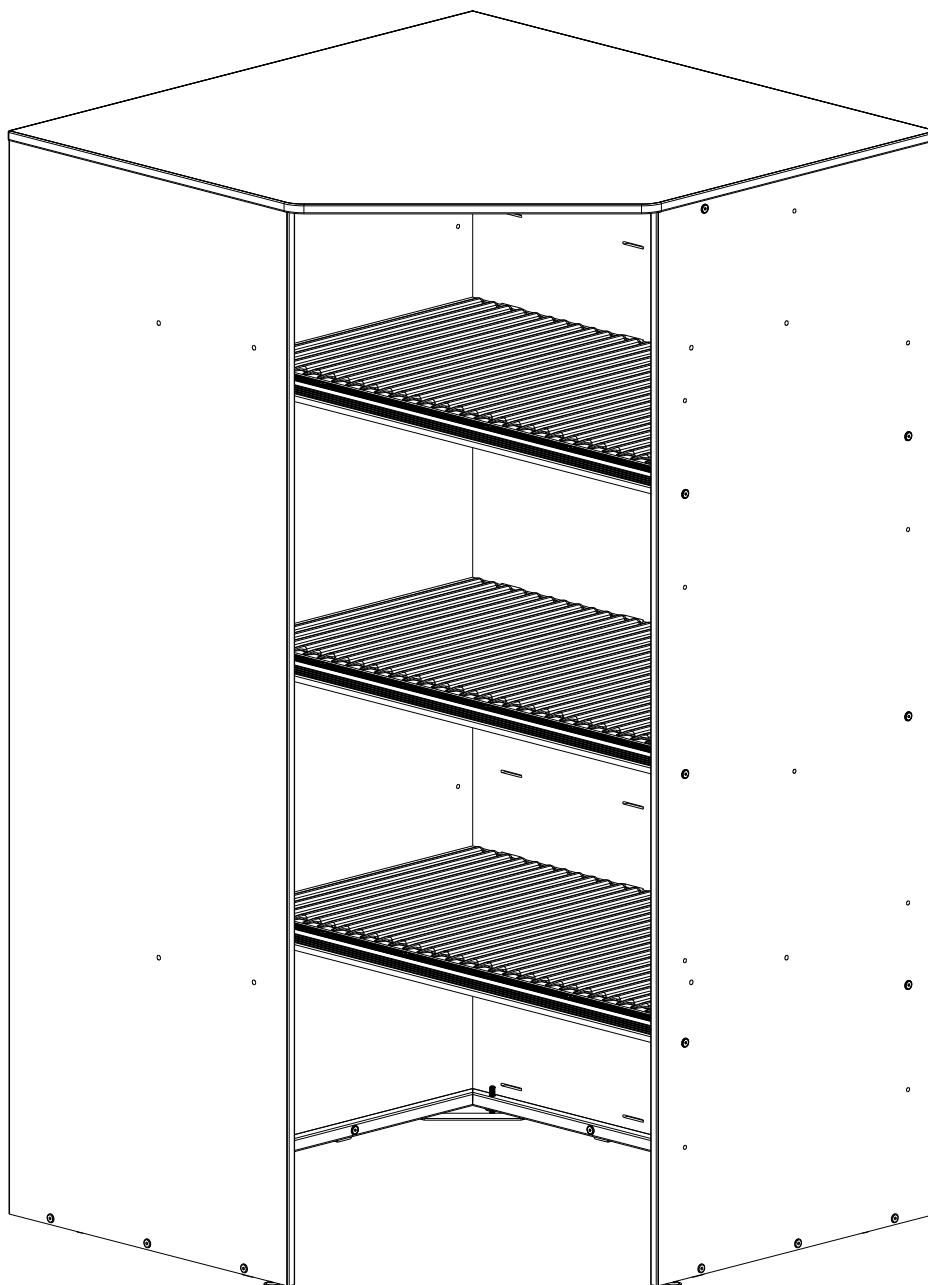
Complete
Band Storage
Solutions

Assembly Instructions

BS190-0 48" Corner Cabinet w/ 3 Shelves

#85283

Revised 01/22/18



Tools needed for assembly:

- #2 Phillips Screwdriver
- 4mm Hex Key (Included)
- 3/16" Hex Key (Included)
- Tape Measure
- Level
- Rubber Mallet (Optional)



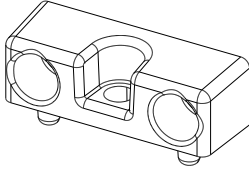
Assembly Instructions

BS190-0 48" Corner Cabinet w/ 3 Shelves

Fasteners and Hardware

(A) x 26

Fastener Block



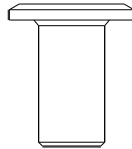
(B) x 78

Fastener Block Screw



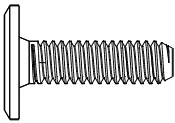
(F) x 30

1/4"-20 x 17mm Cap Nut



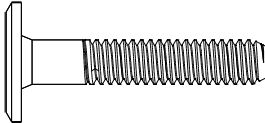
(J) x 18

1/4"-20 x 23mm Bolt



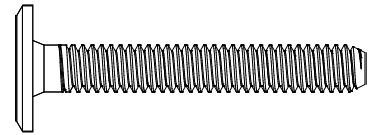
(K) x 12

1/4"-20 x 35mm Bolt



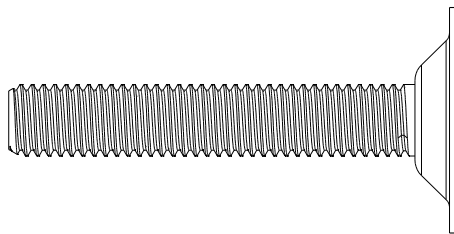
(L) x 14

1/4"-20 x 45mm Bolt



(N) x 5

M10 x 60mm Adjuster





Complete
Band Storage
Solutions

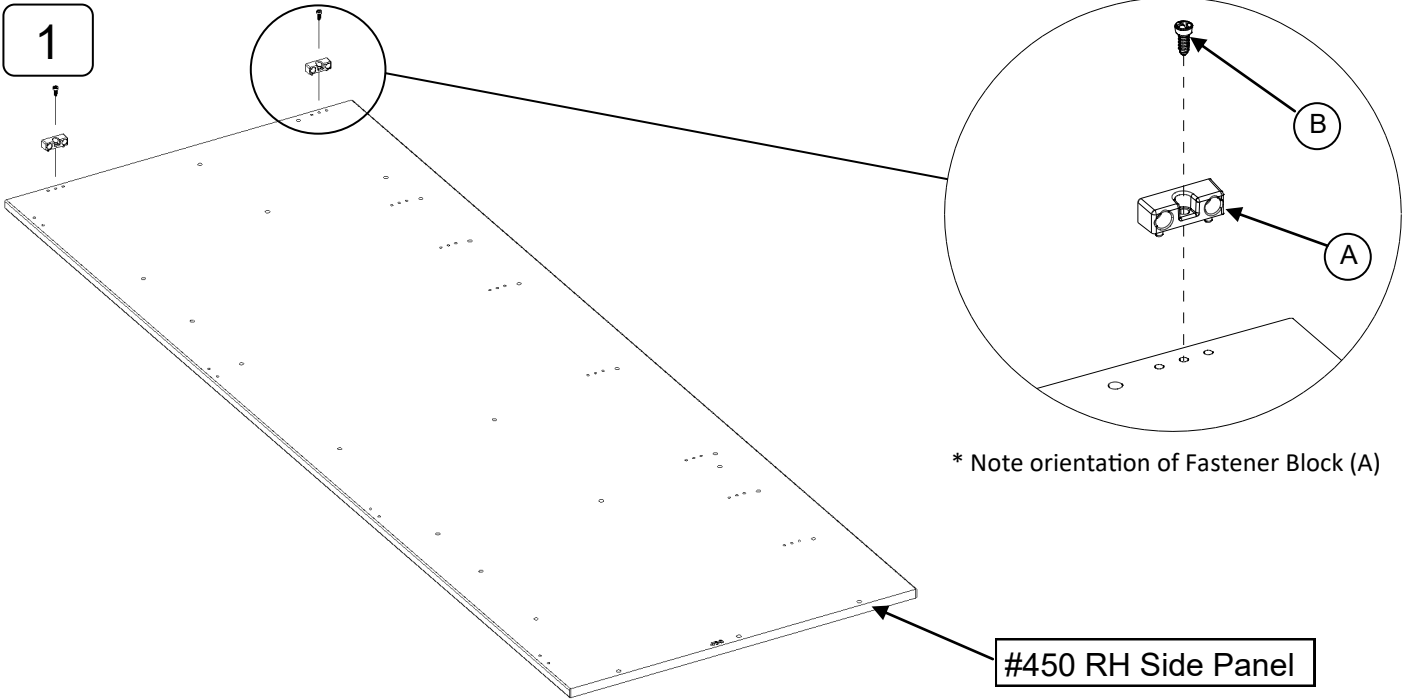
Assembly Instructions

BS190-0 48" Corner Cabinet w/ 3 Shelves

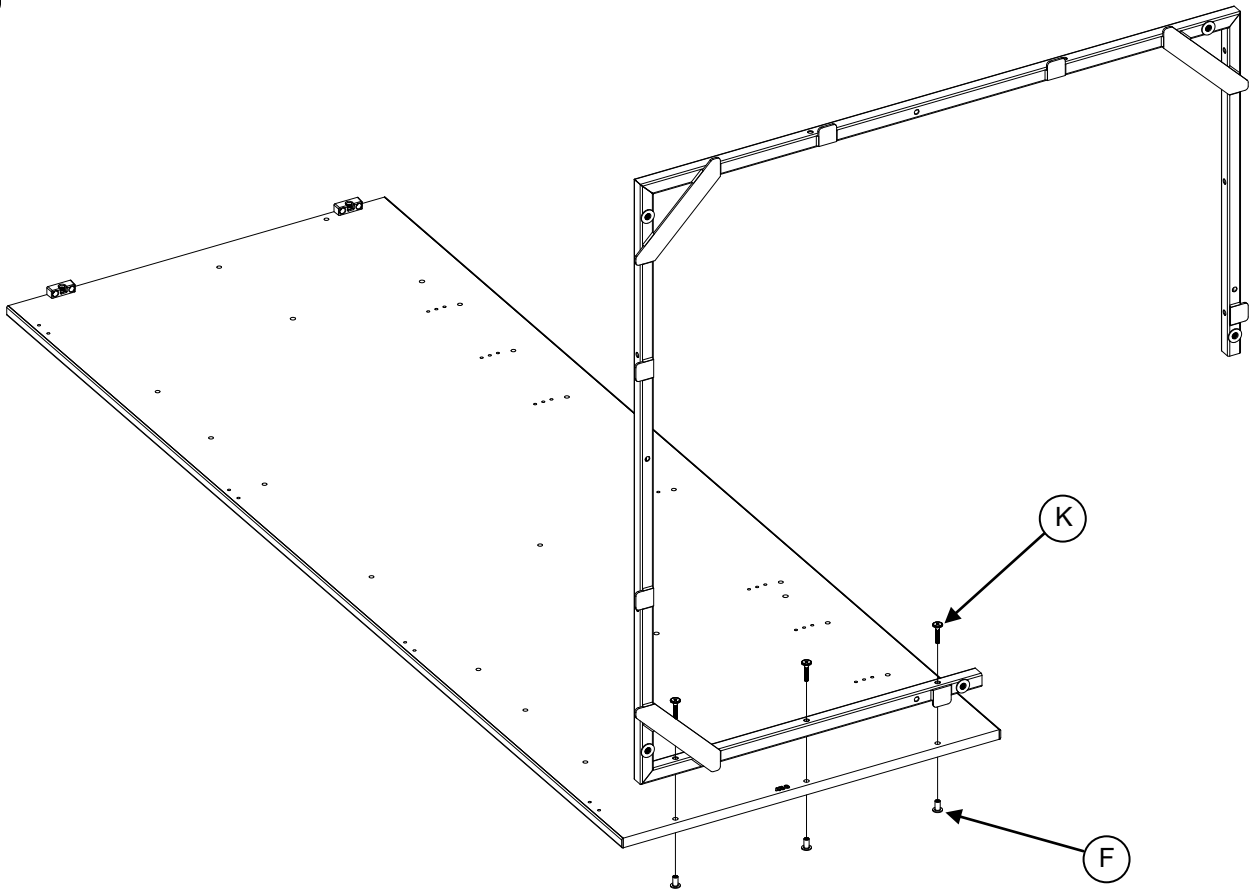
#85283

Revised 01/22/18

1



2





Complete
Band Storage
Solutions

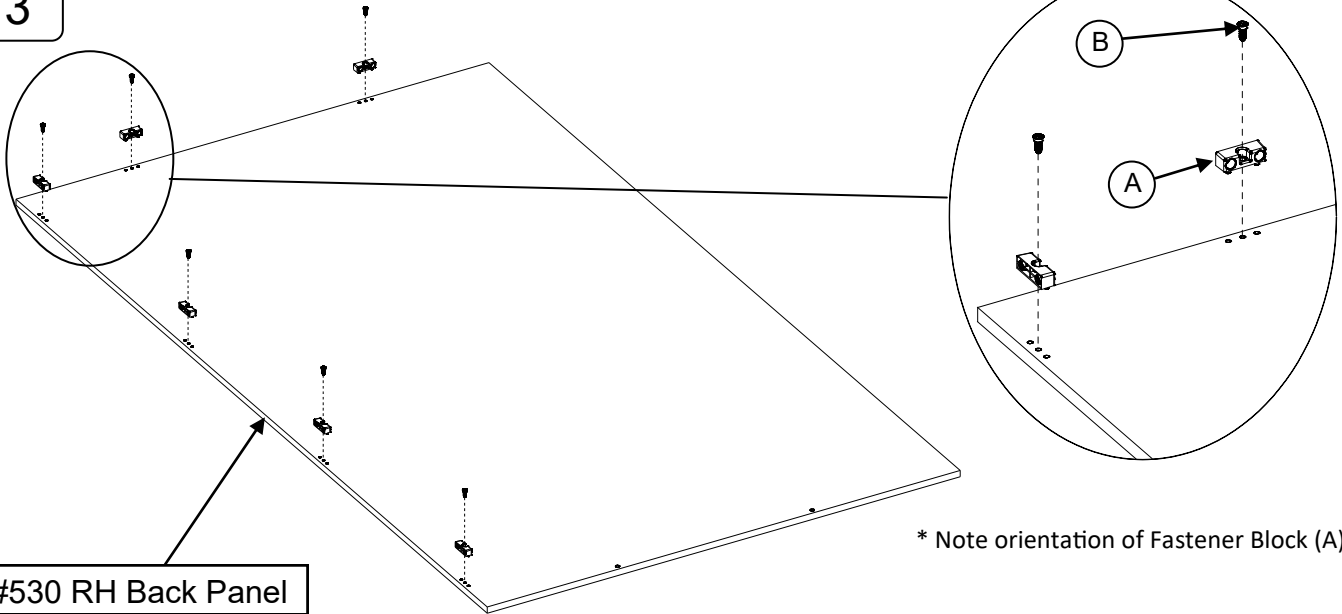
Assembly Instructions

BS190-0 48" Corner Cabinet w/ 3 Shelves

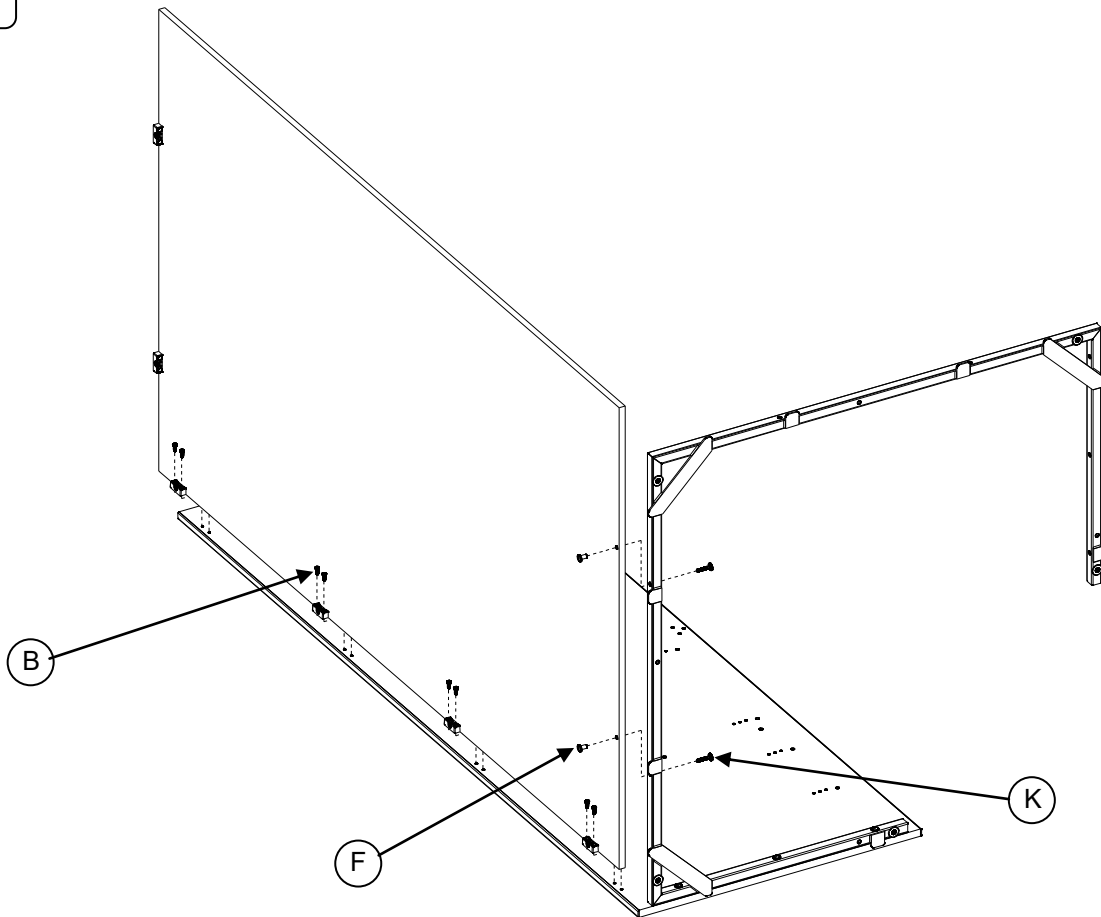
#85283

Revised 01/22/18

3



4





Complete
Band Storage
Solutions

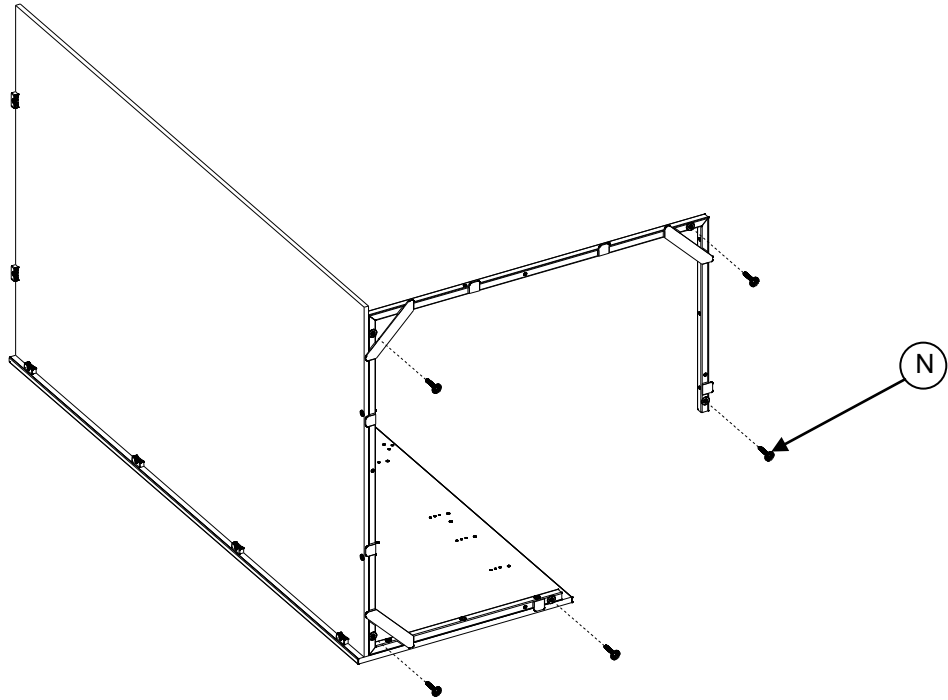
Assembly Instructions

BS190-0 48" Corner Cabinet w/ 3 Shelves

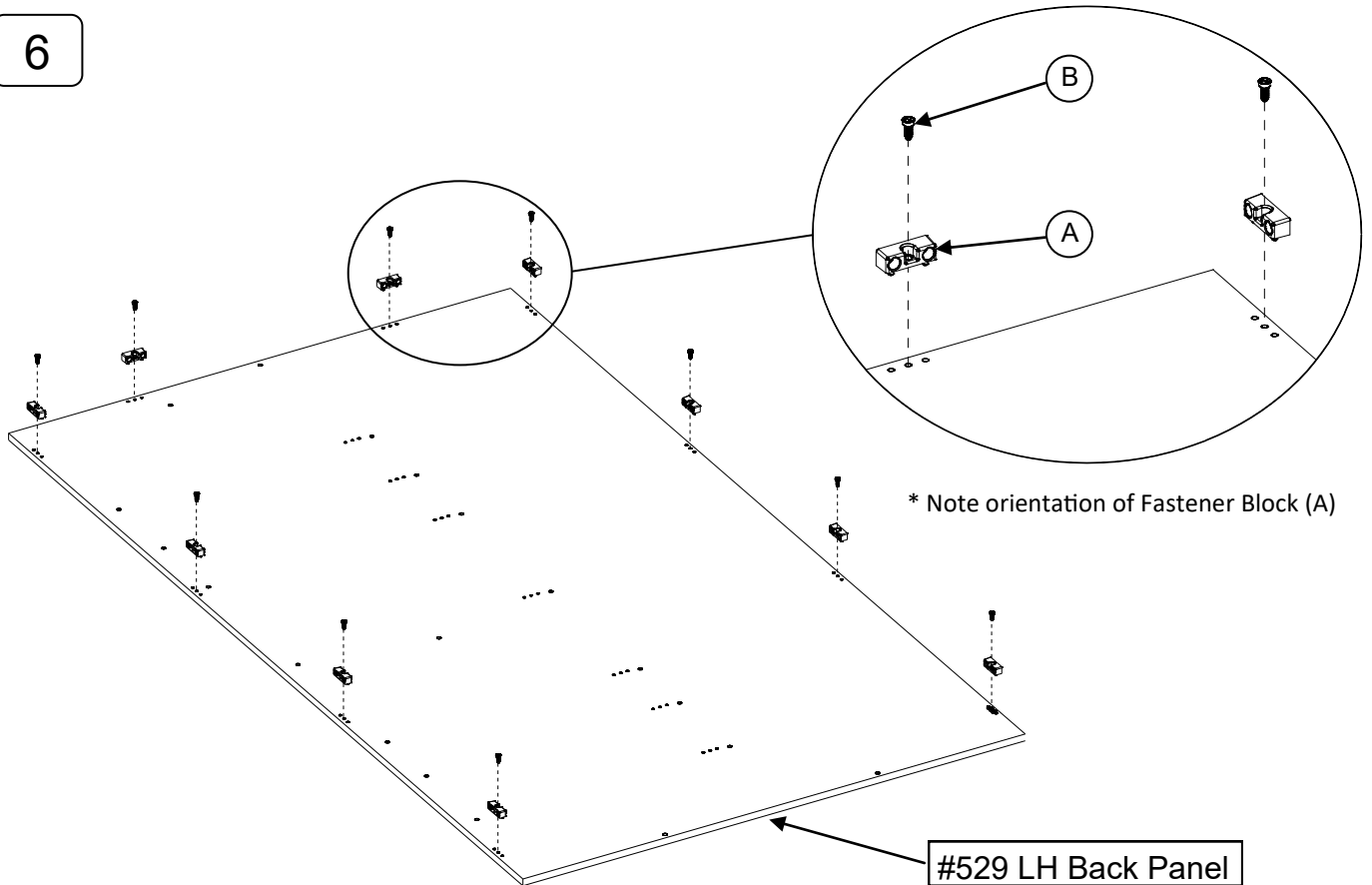
#85283

Revised 01/22/18

5



6





Complete
Band Storage
Solutions

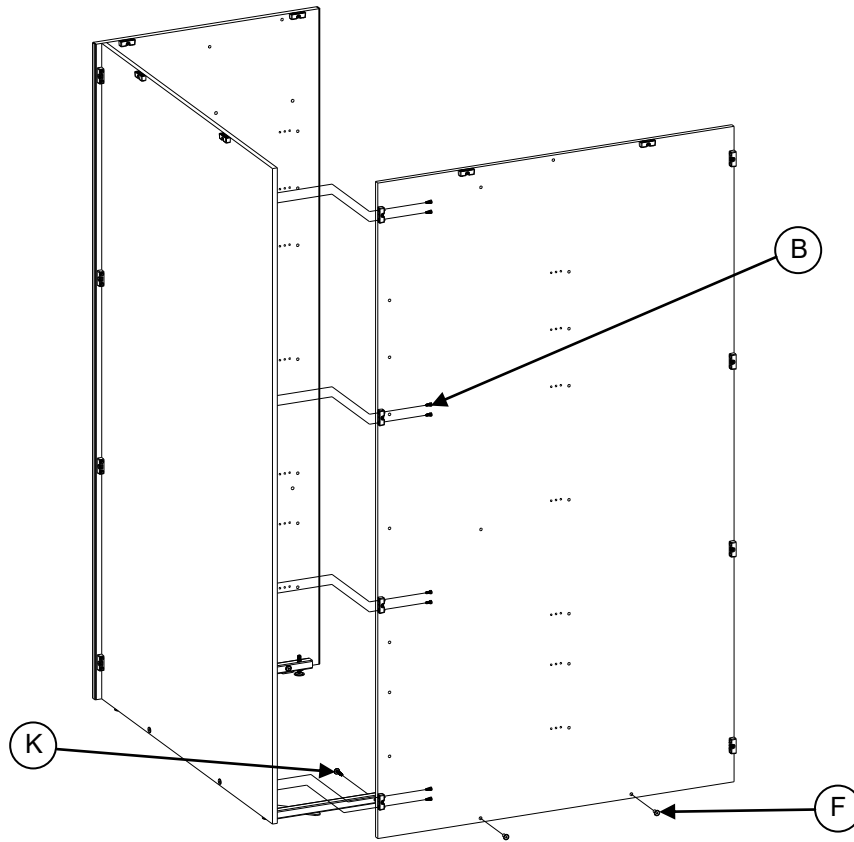
Assembly Instructions

BS190-0 48" Corner Cabinet w/ 3 Shelves

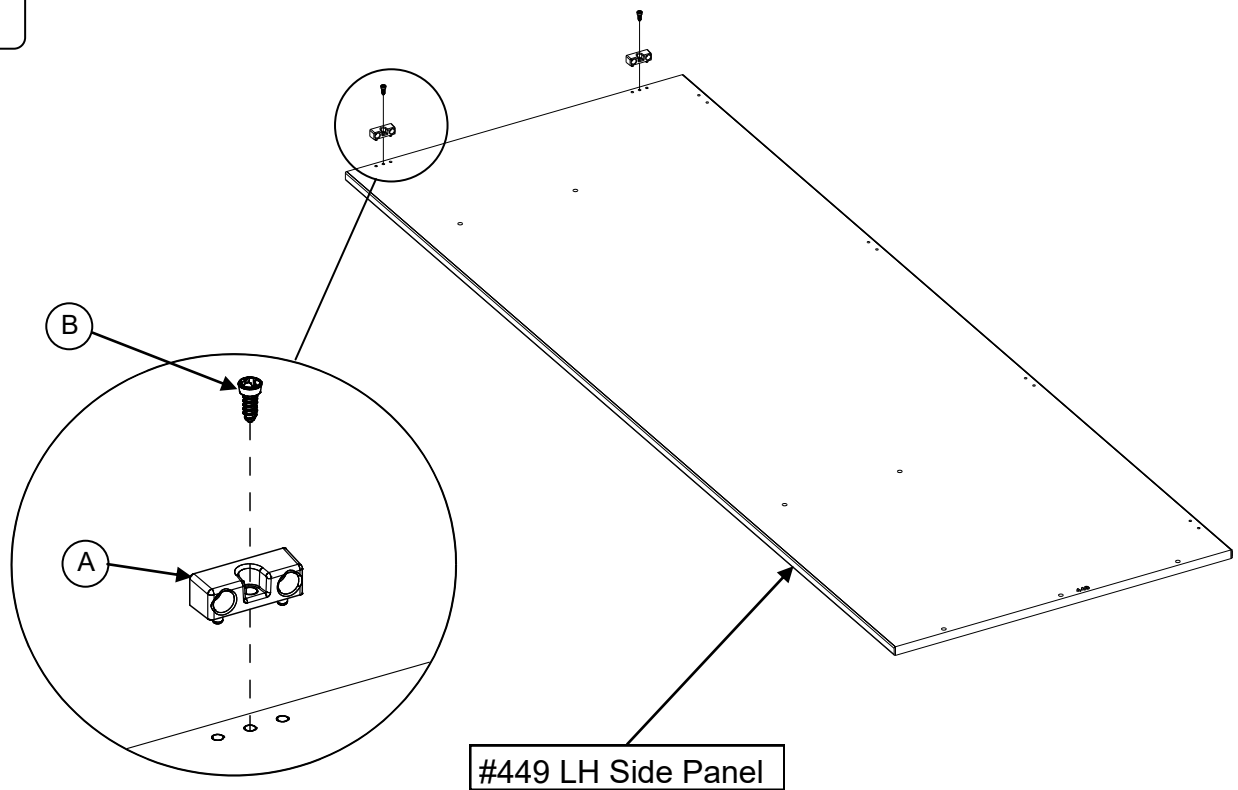
#85283

Revised 01/22/18

7



8





Complete
Band Storage
Solutions

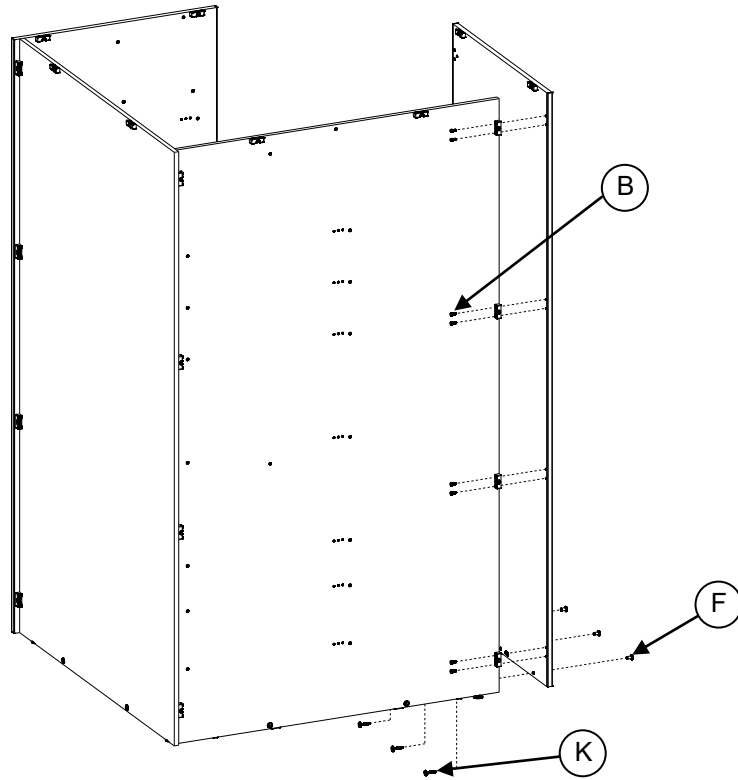
Assembly Instructions

BS190-0 48" Corner Cabinet w/ 3 Shelves

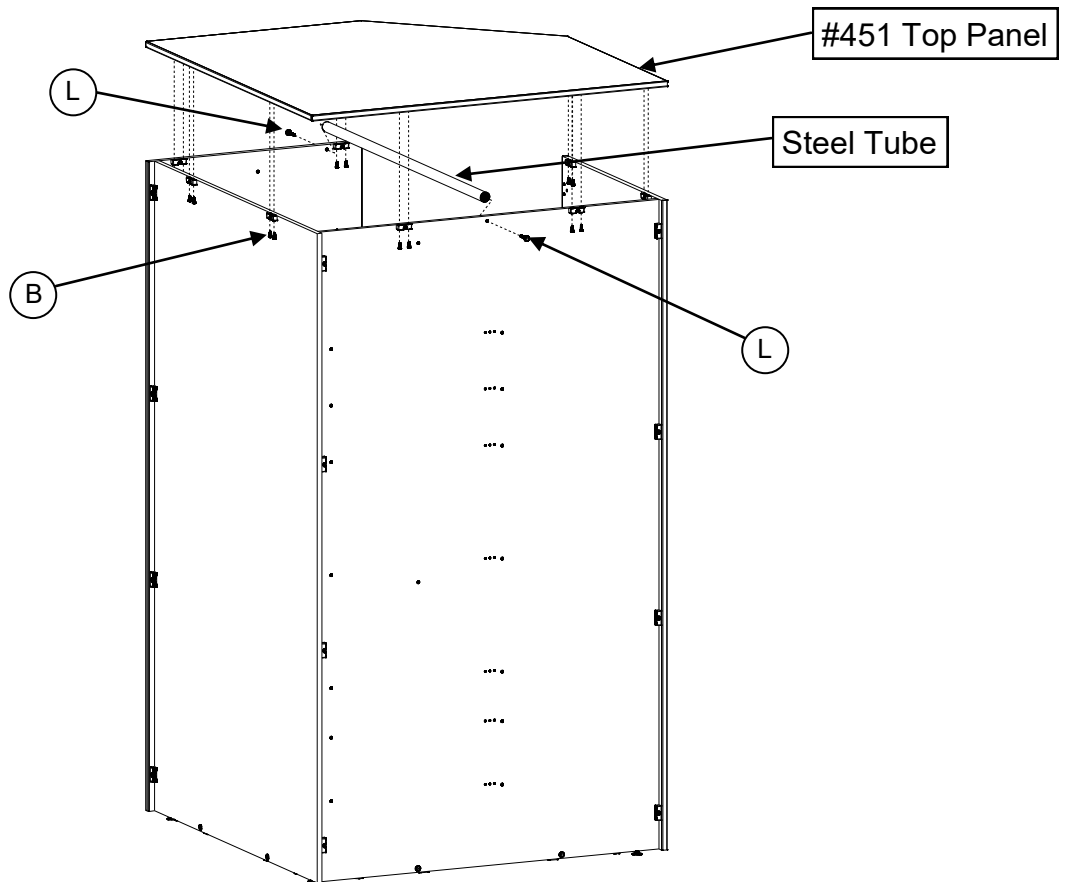
#85283

Revised 01/22/18

9



10





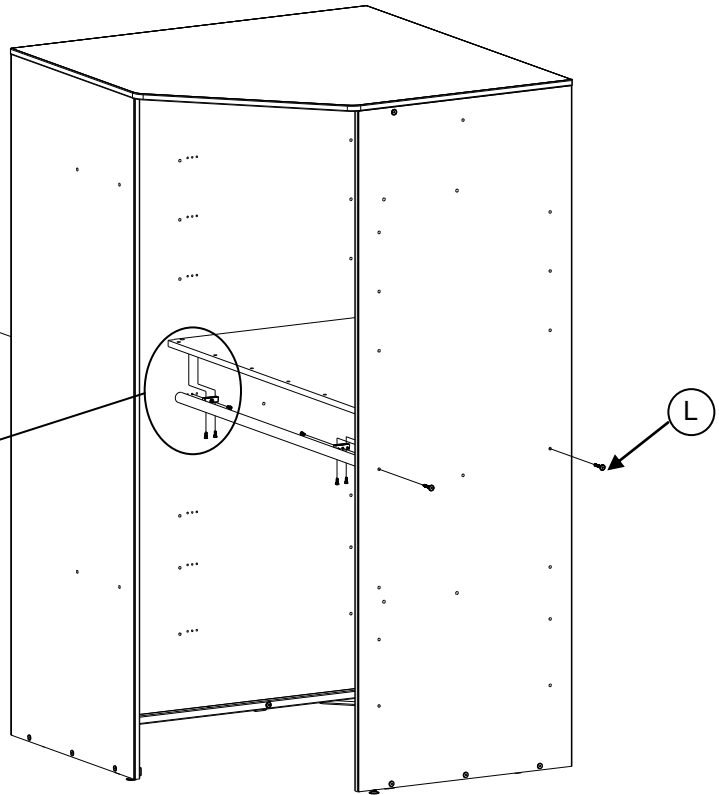
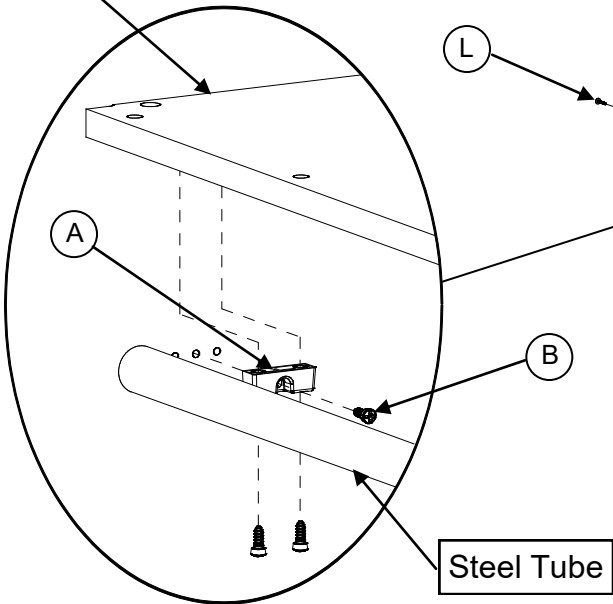
Assembly Instructions

BS190-0 48" Corner Cabinet w/ 3 Shelves

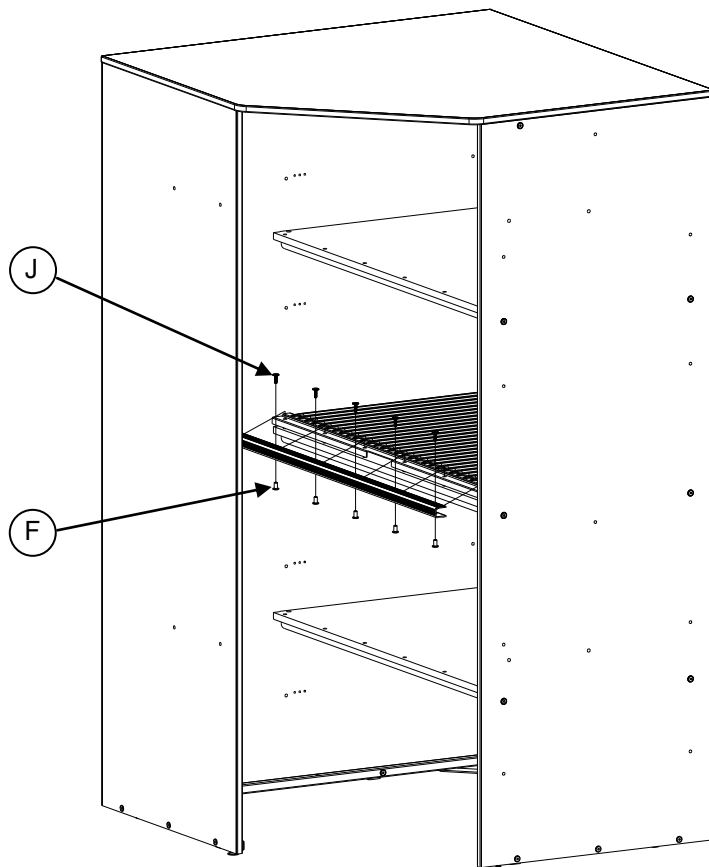
11

Install shelves as shown.
There are 7 possible height
locations available.

#531 Shelf



12





Complete
Band Storage
Solutions

Assembly Instructions

BS190-0 48" Corner Cabinet w/ 3 Shelves

#85283

Revised 01/22/18

13

After assembly and placed in desired location the cabinet should be checked for square and level. Adjustments can be made using the 5 leveling feet. Cabinet may be attached to adjacent cabinets or be used freestanding. If freestanding, the cabinet should be anchored to the floor using suitable floor anchors (not included).