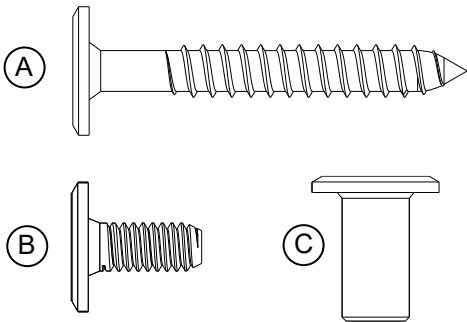
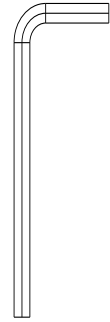


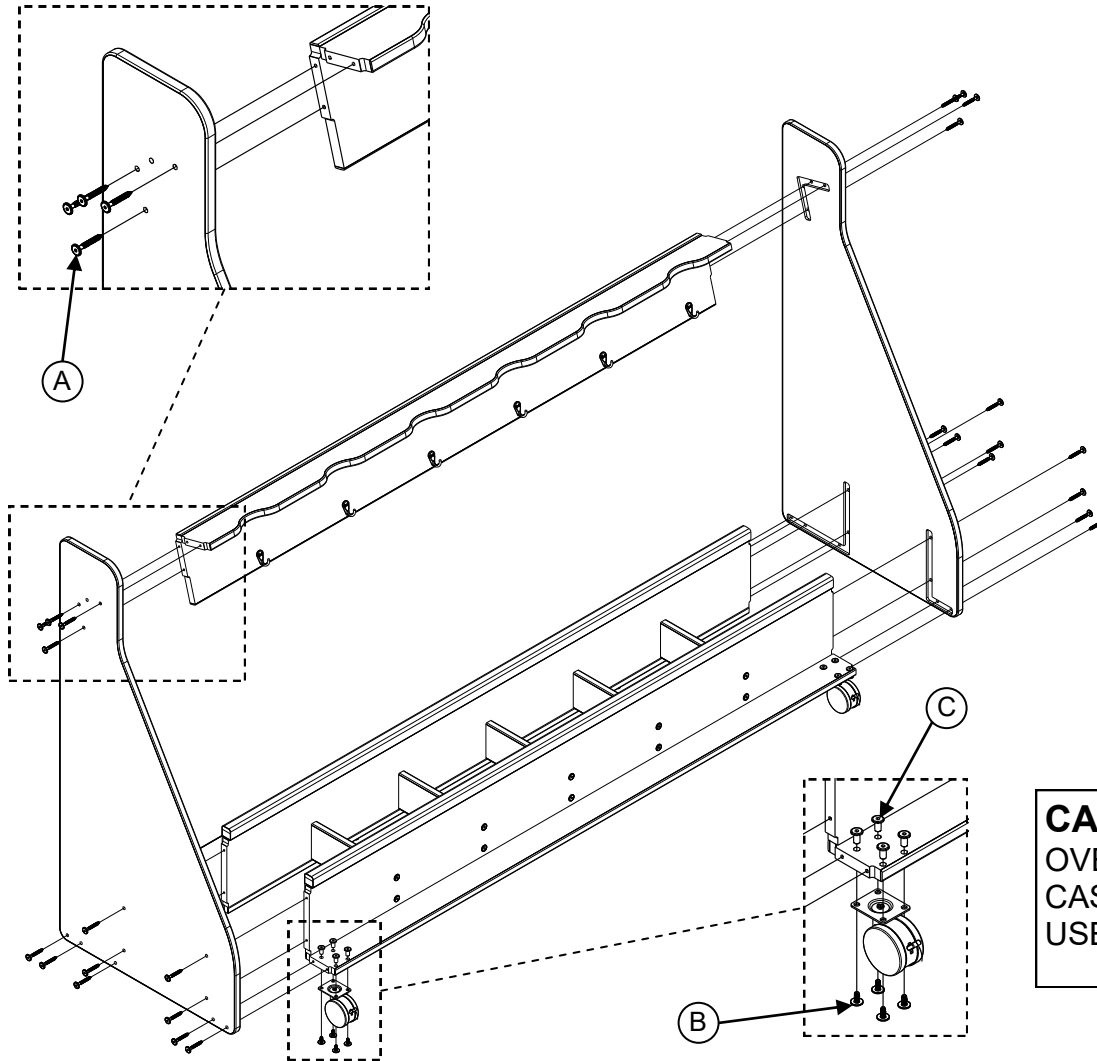
Hardware (Included)



Hex key (Included)



- Attach left and right side uprights to pre-assembled instrument supports using bolt (A) as shown. Leave bolts loose while adjusting each support until all supports are in the dados of left and right side uprights. Tighten all bolts with hex key starting with the bottom supports and work your way up.
- Once assembled add casters as shown. Push t-nuts (C) into caster mount holes. Lay unit back to attach casters with bolts (B) only finger tight with hex key.



CAUTION, DO NOT OVER TIGHTEN CASTER BOLTS OR USE POWER TOOLS

Marco Group, Inc.
 5400 Doniphan Dr.
 Neosho, MO 64850
www.marcogroupinc.com

Customer Service Hours:
 Monday-Friday 8:30am to 4:30pm CST
 (Except holidays)
 Toll-Free 888-627-2601
CustomerService@marcogroupinc.com

417-455-9663 - Phone
 417-455-0057 - Fax