



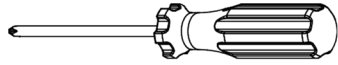
# Assembly Instructions

#85326

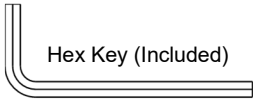
## GRAVIT8 Table

Rev. 12-18-25

### Tools required

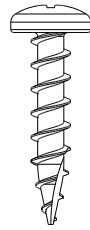


#2 Phillips Screwdriver



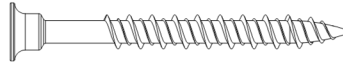
Hex Key (Included)

### Hardware (Included)

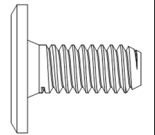


A x32

B x3



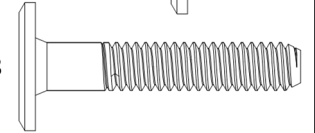
D x16



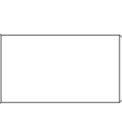
C x4



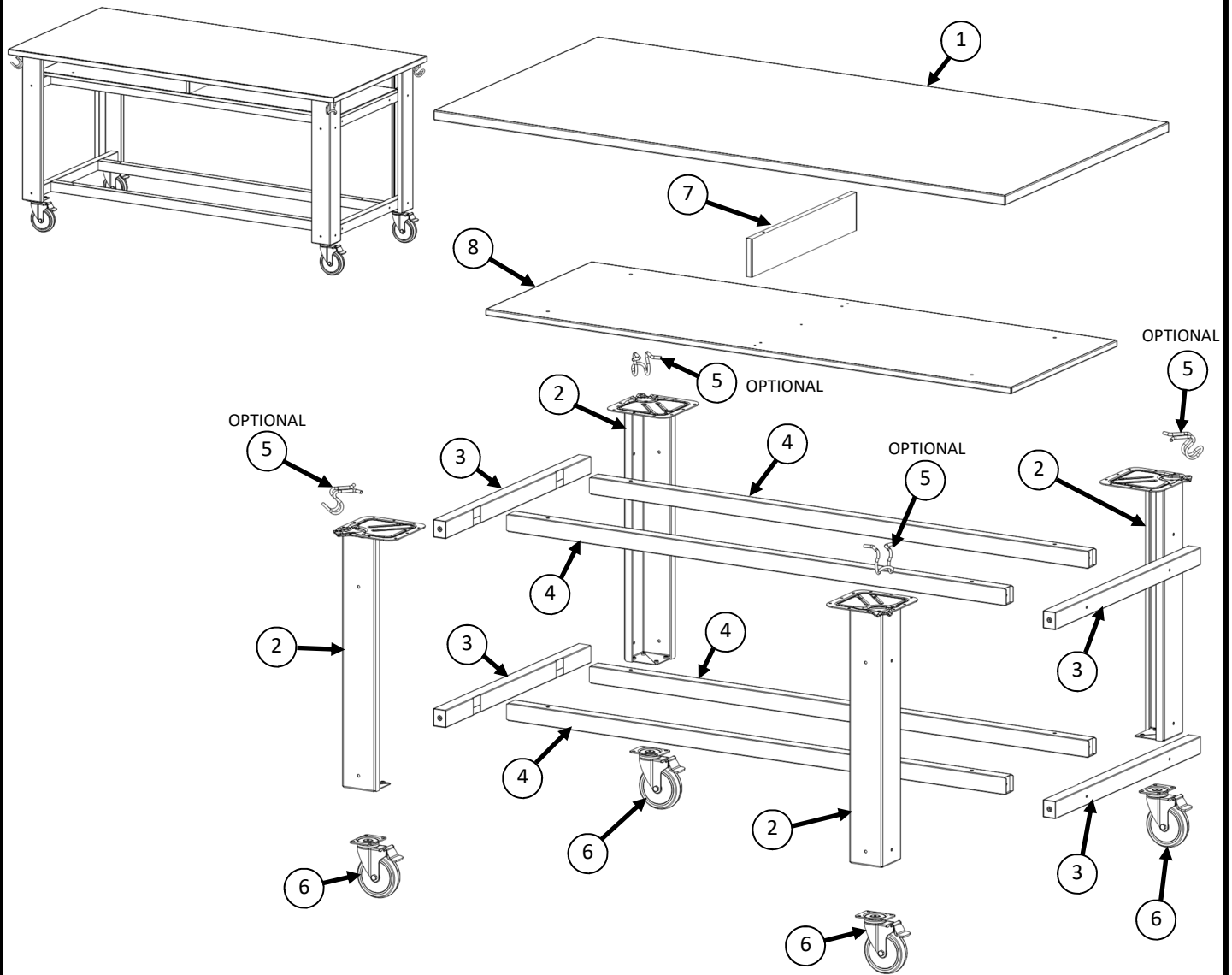
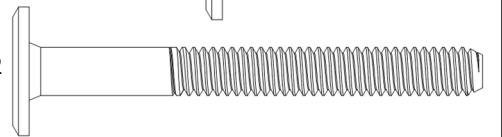
E x8



G x4



F x12



Marco Group, Inc.  
 5400 Doniphan Dr.  
 Neosho, MO 64850  
[www.madebymarco.net](http://www.madebymarco.net)

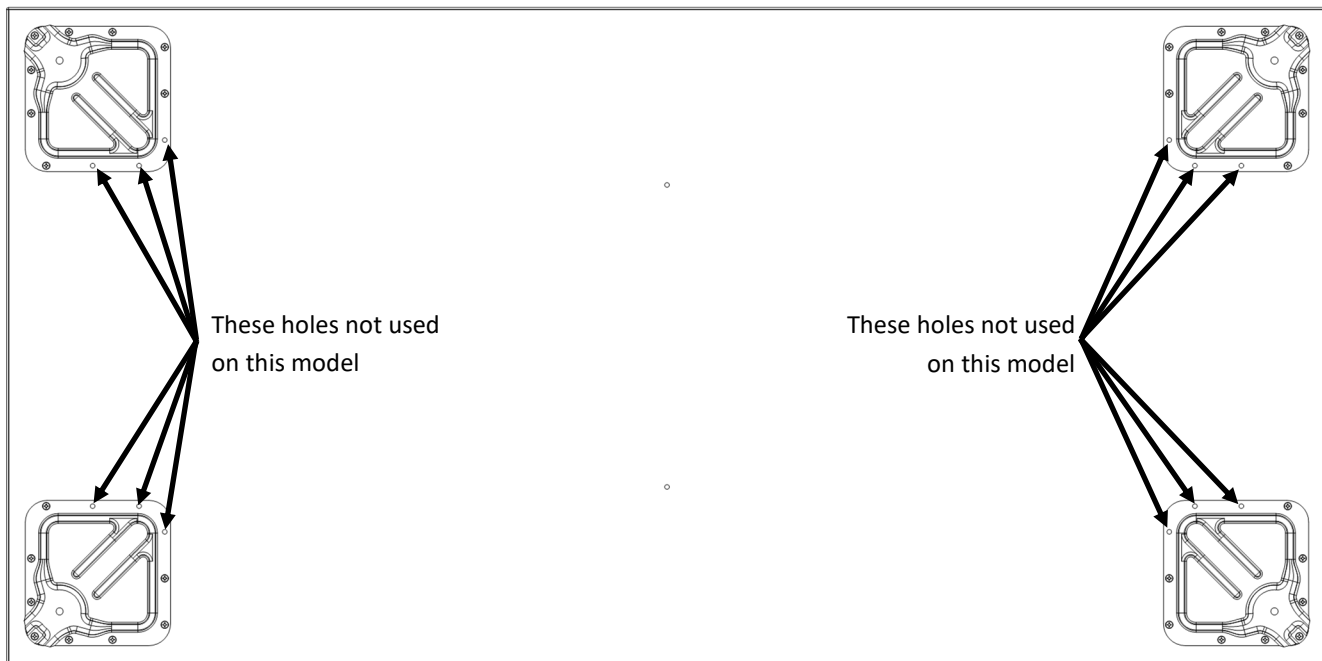
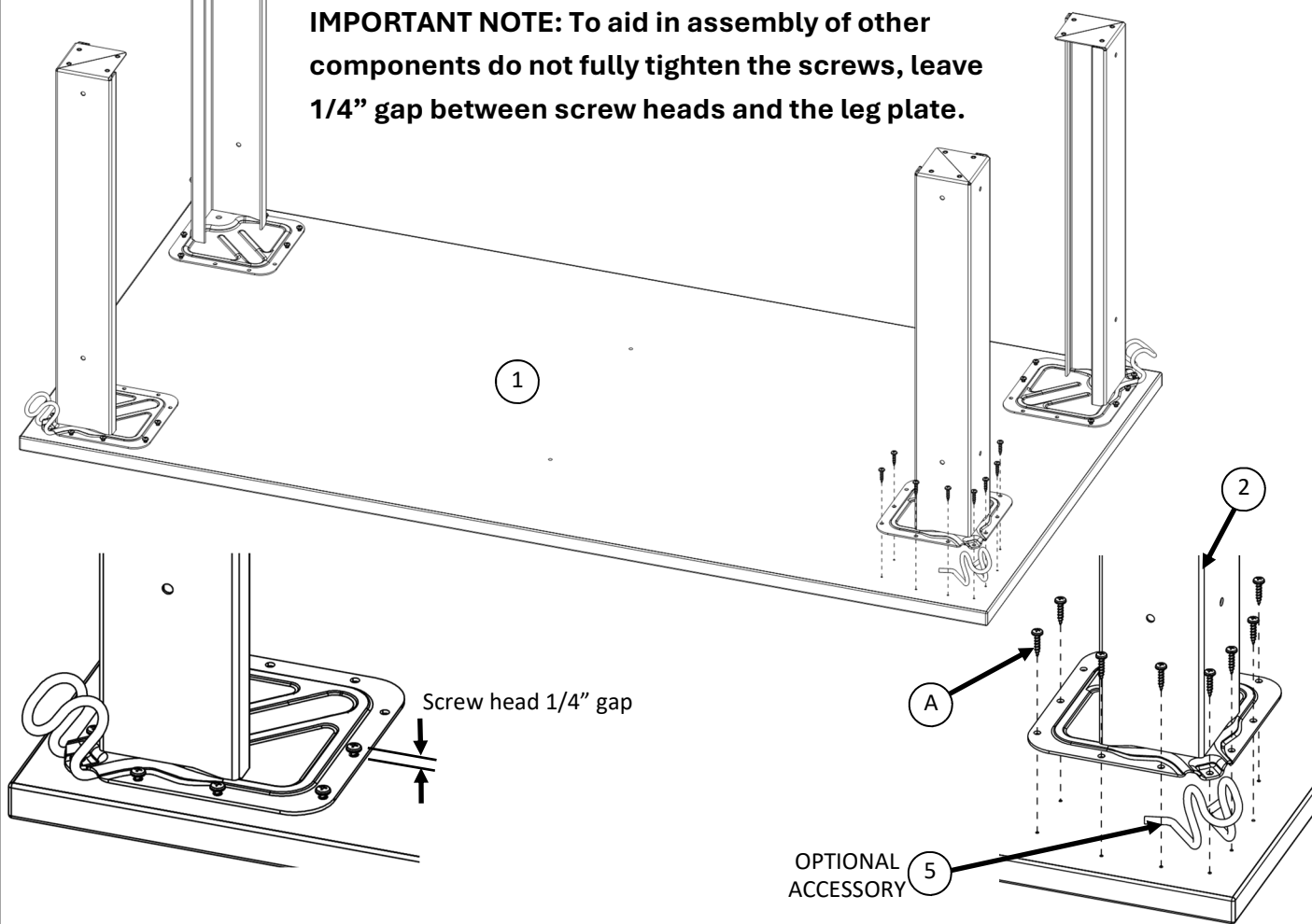
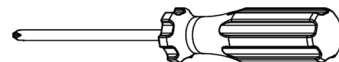
Customer Service Hours:  
 Monday-Friday 8:30am to 4:30pm CST  
 (Except holidays)  
 Toll-Free 888-627-2601  
[CustomerService@marcogroupinc.com](mailto:CustomerService@marcogroupinc.com)

417-455-9663 - Phone  
 417-455-0057 - Fax

1

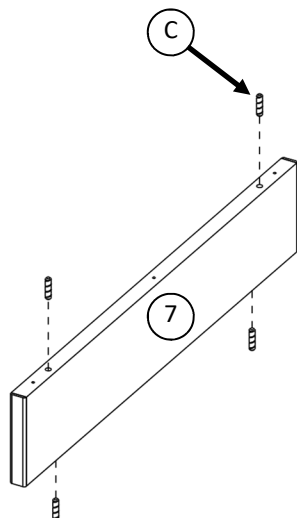
Position optional backpack hook "5" under leg "2" mounting plate. Attach legs to top "1" using (8) screws "A" per leg.

**IMPORTANT NOTE: To aid in assembly of other components do not fully tighten the screws, leave 1/4" gap between screw heads and the leg plate.**



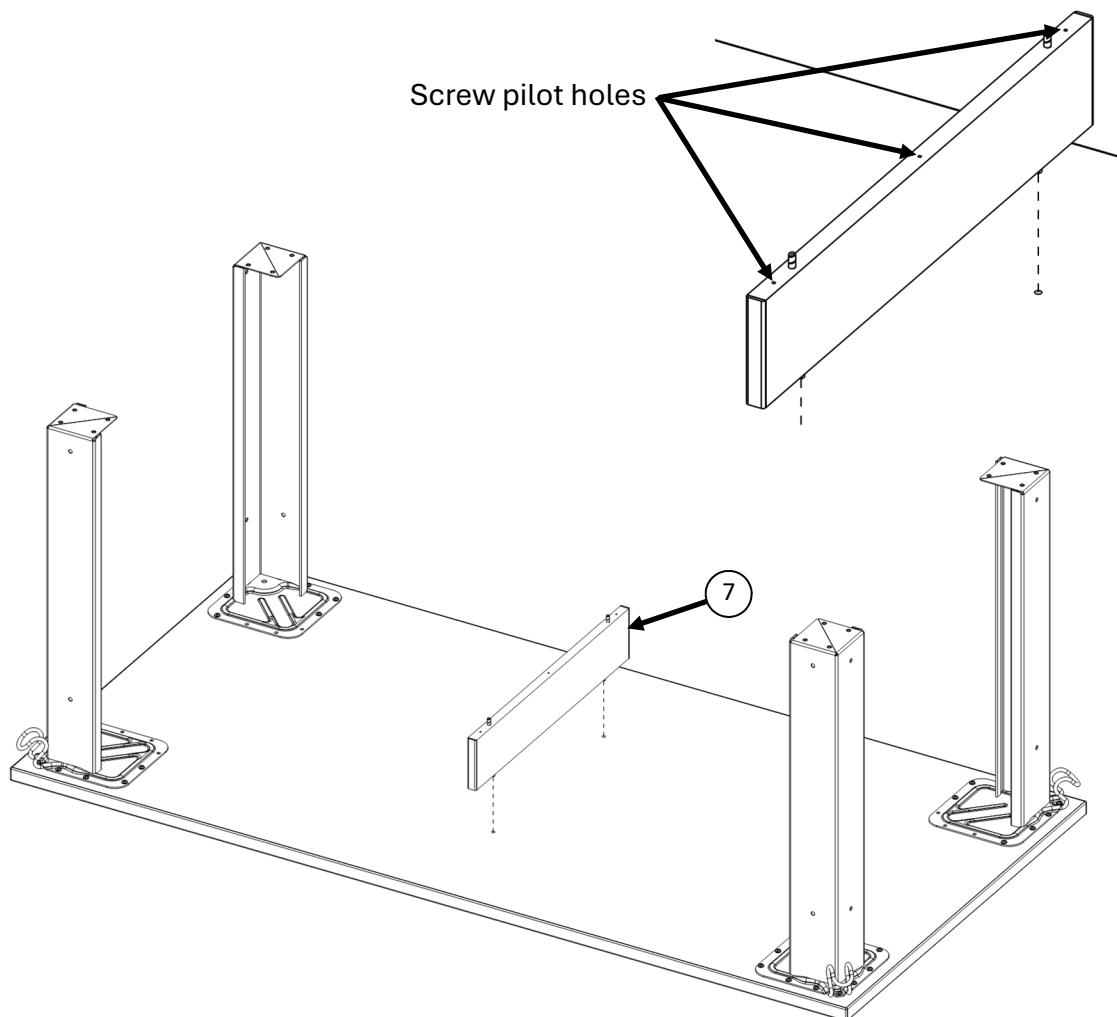
2

Insert (4) dowels "C" into holes on divider "7".



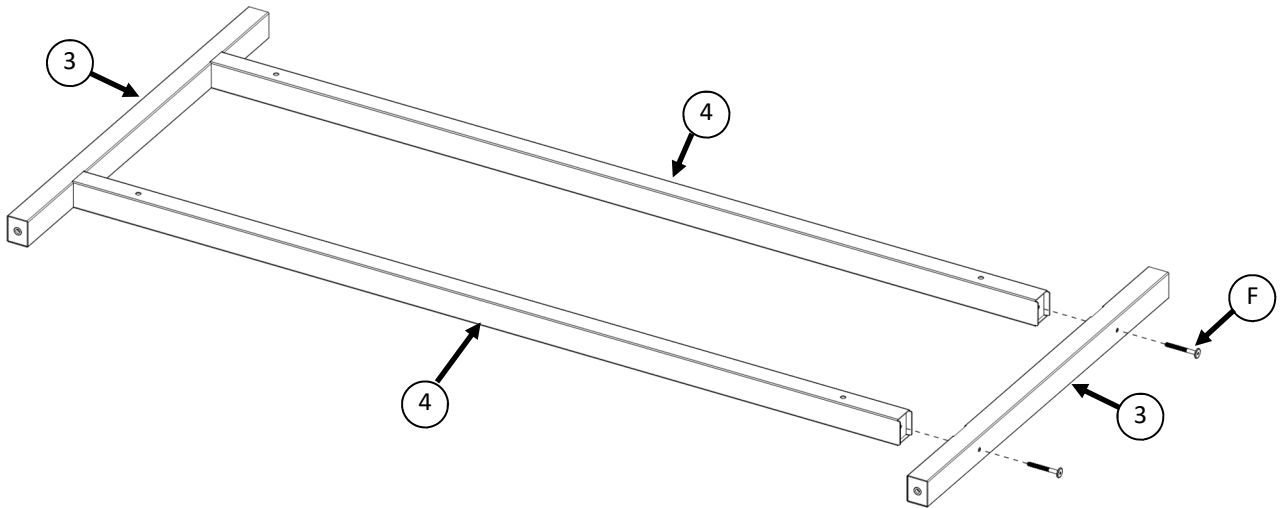
3

Attach divider "7" with dowels to top by aligning dowels with holes in top. Note orientation of the divider with the three screw pilot holes facing away from the table top.



4

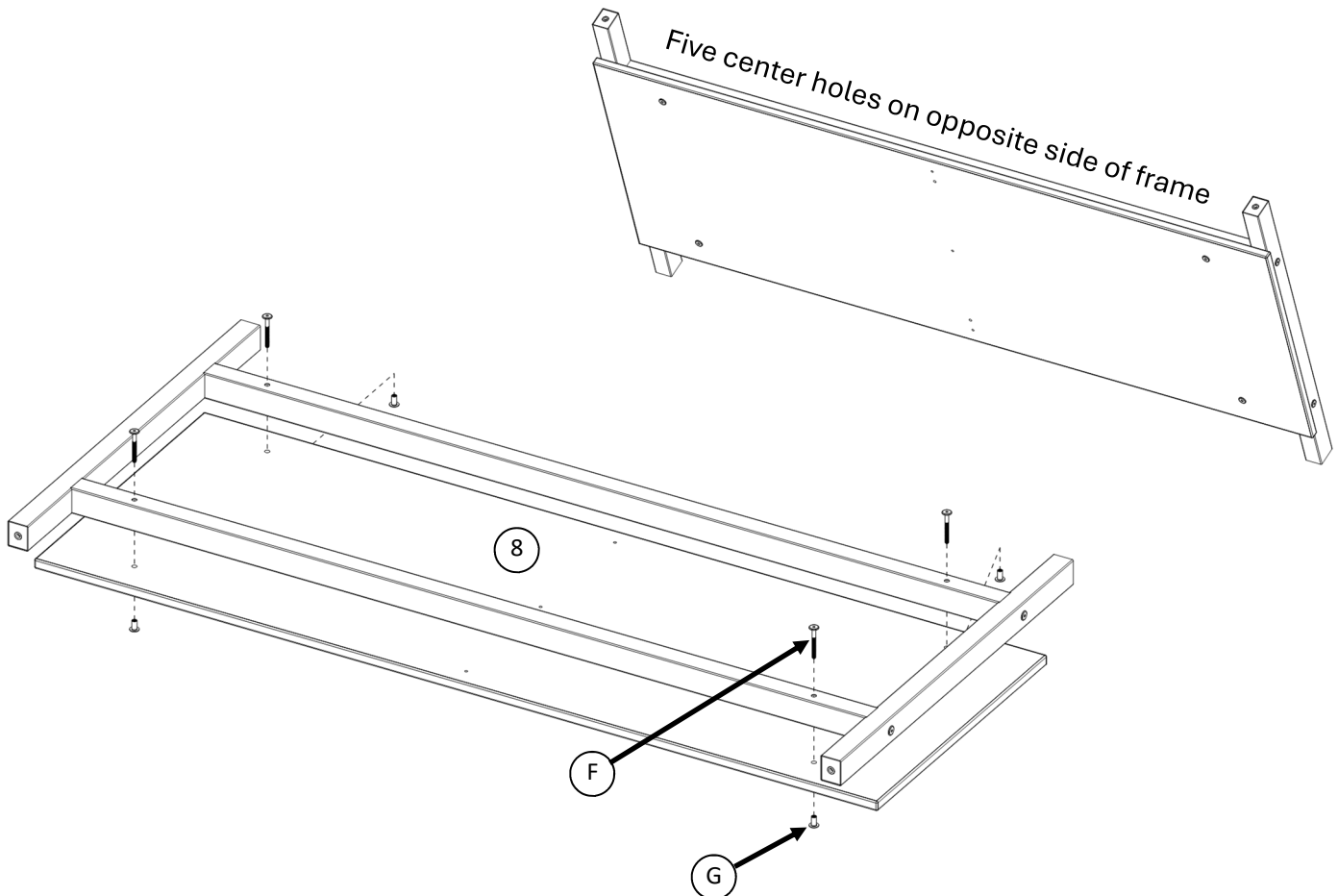
Attach short end rails "3" to long rails "4" using bolt "F". Repeat for second frame assembly.



**2X**

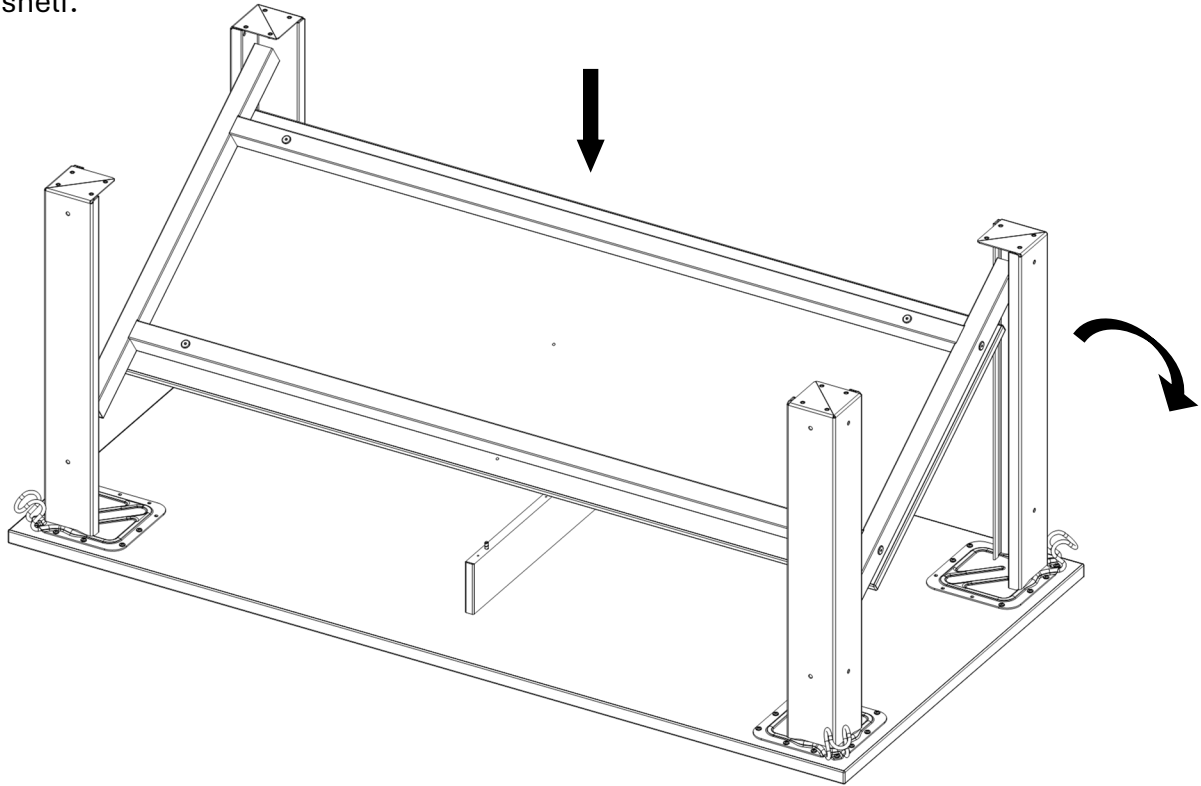
5

Attach shelf "8" to one frame using bolt "F" and cap nut "G". Orient shelf so that the five holes at the shelf center are facing down away from the frame and three holes are facing up toward the frame.



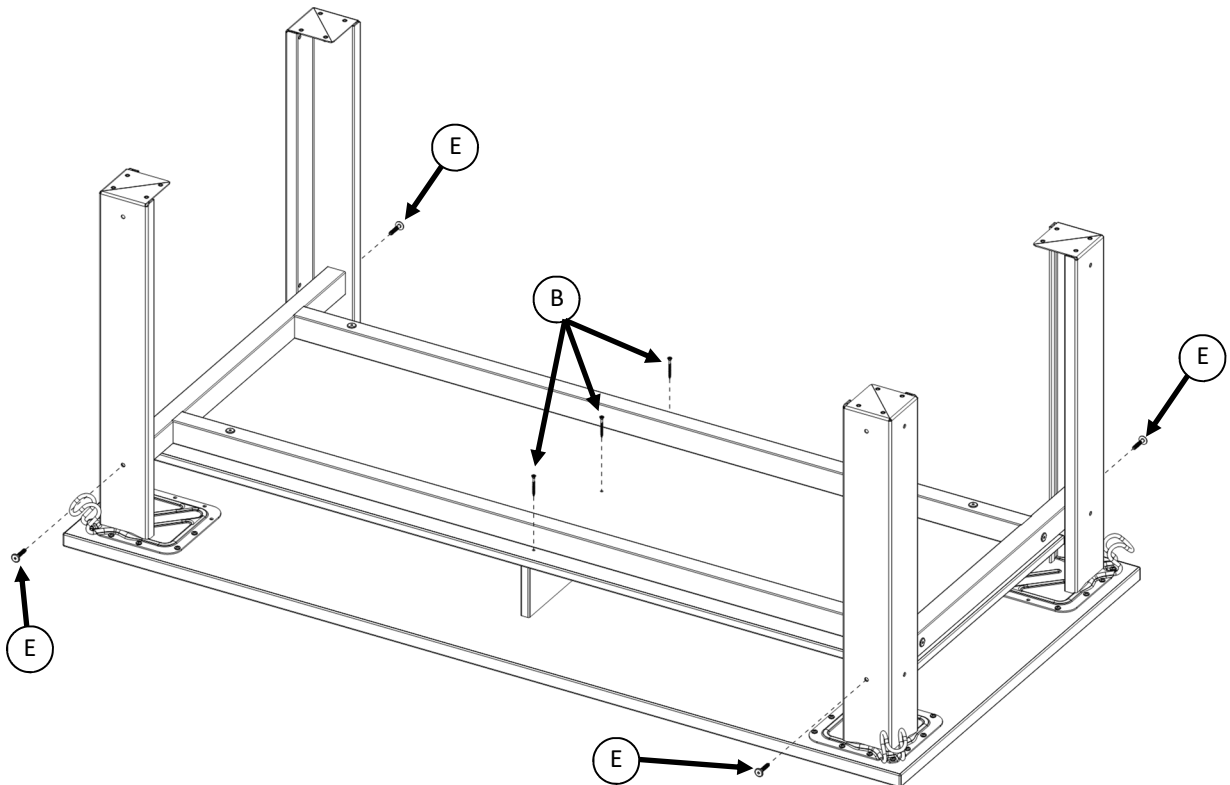
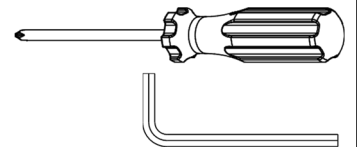
6

Position shelf assembly from prior step inside of the legs and set on top of the divider. Align dowels on divider with holes in the shelf.



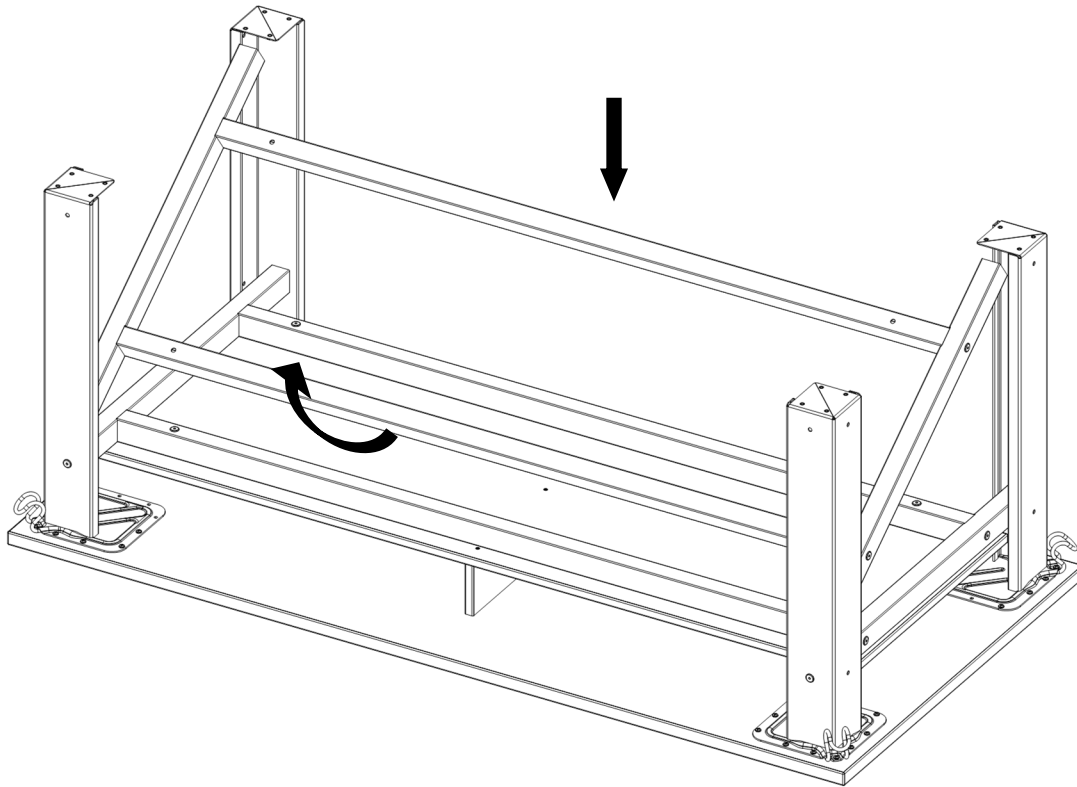
7

Attach shelf frame to legs using bolt "E". **DO NOT FULLY TIGHTEN.** Leave a 1/4" gap between bolt head and leg. Attach shelf to divider using three screws "B". These can be fully tightened.



8

Insert remaining frame assembly between legs and rotate into place near the top of legs as shown in the next step.

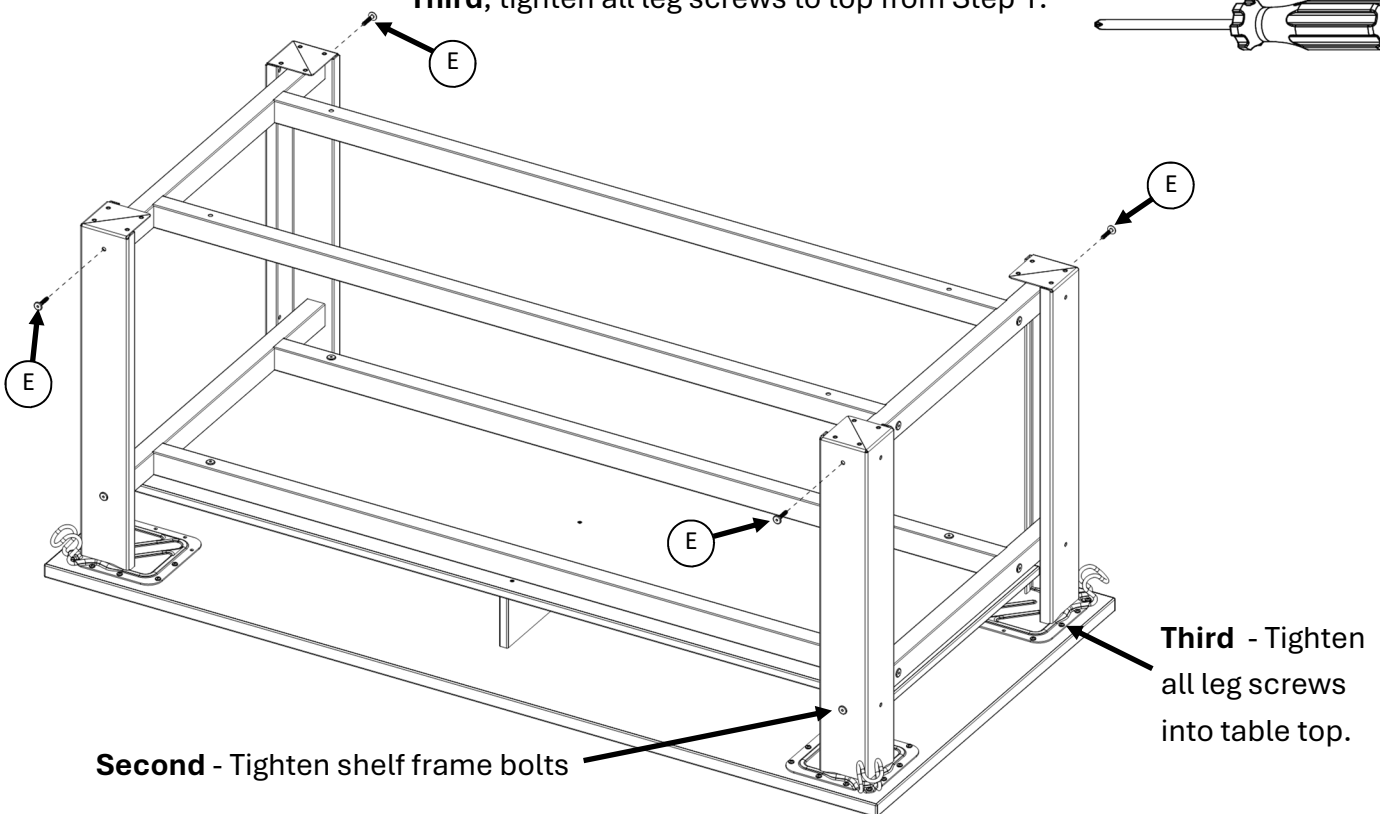
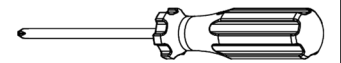


9

**First**, fasten frame assembly to the legs using four bolts "E" and fully tighten.

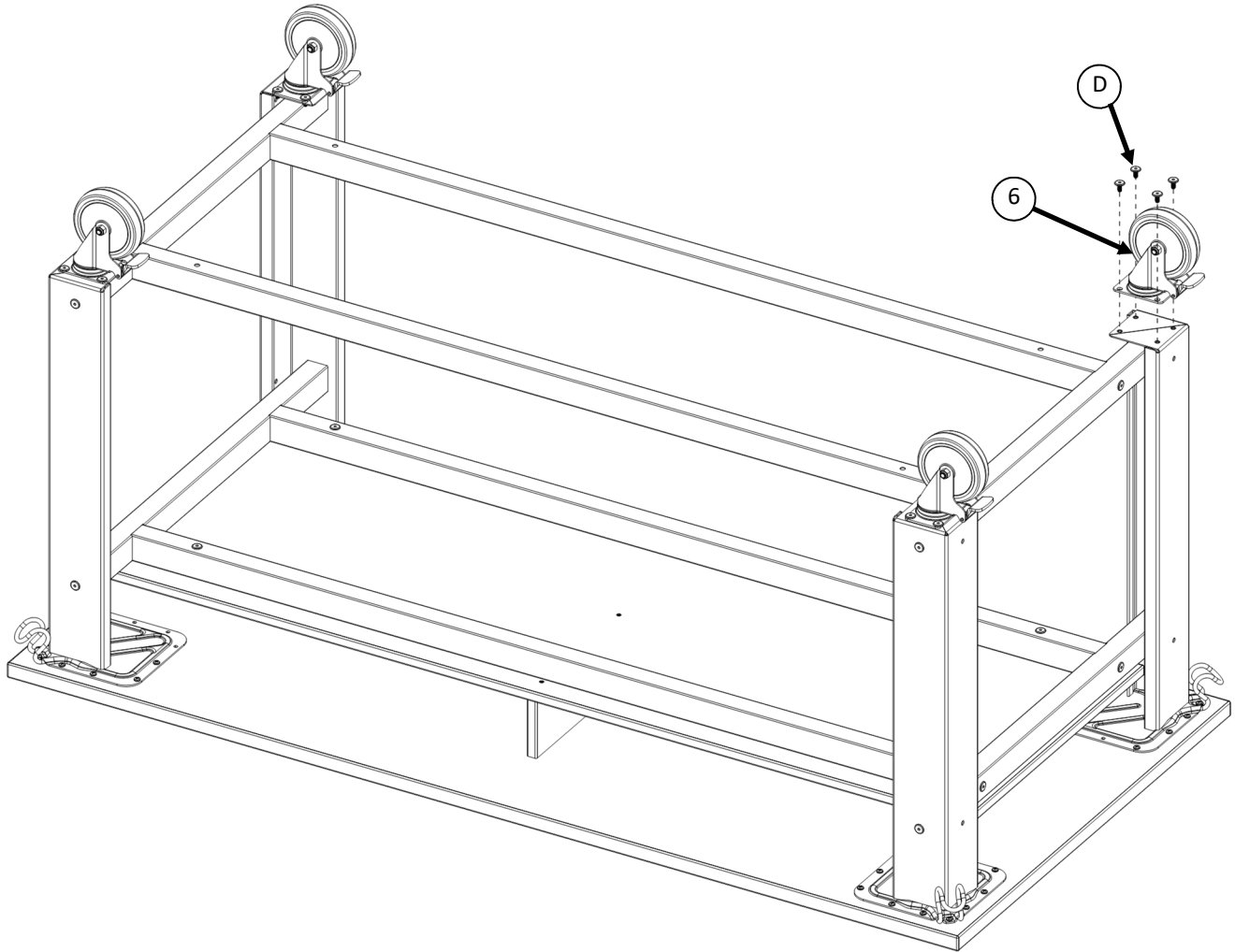
**Second**, tighten four bolts on shelf frame from Step 7.

**Third**, tighten all leg screws to top from Step 1.



10

Attach caster "6" to each leg using bolt "D"



- Verify all bolts and screws are tight.
- Assembly complete

