



MARCO™

Assembly Instructions

M001 - Classroom Divider

85315

6/26/24

Tools Required



Hex Keys (Included)



Wrench

DO NOT USE POWER TOOLS

Hardware (Include)

AA bolt set (x6 sets)



BB bolt set (x4 sets)



Marco Group Inc.
5400 Doniphan Dr.
Neosho, MO 64850

www.madebymarco.net

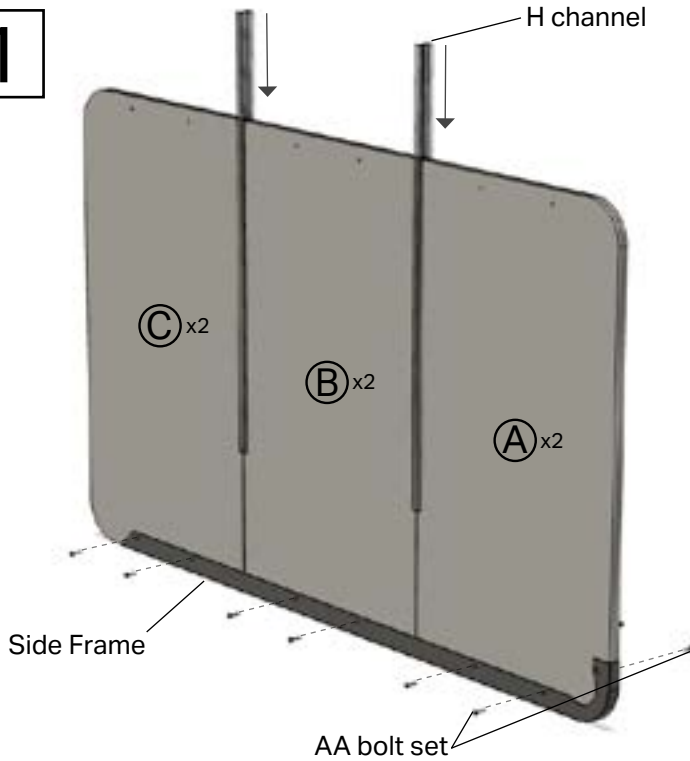
Customer Service Hours:
M-F 8:30am to 4:30pm CST
(Except Holidays)

Toll-Free 888-627-2601

417-455-9663 - Phone
417-455-0057 - Fax



1

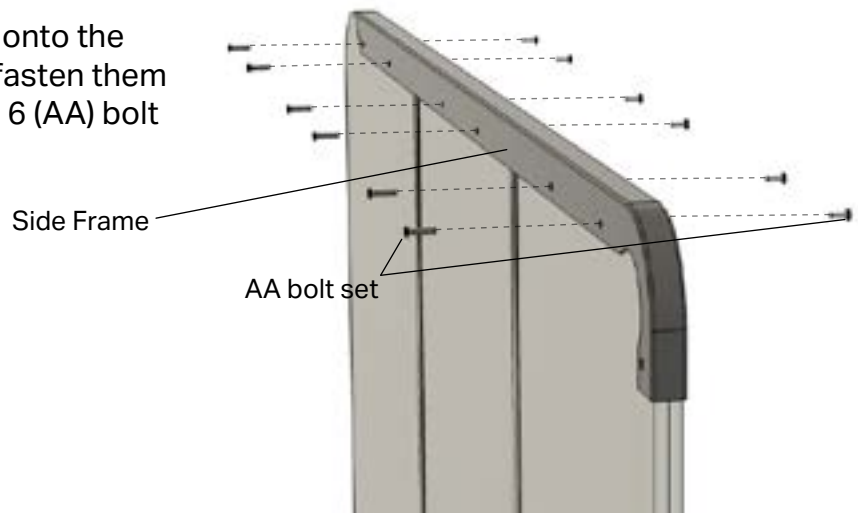


Place and fasten the A,B, and C panels in to the side frame using 6 of the (AA) bolt sets. Start by sliding both the A panels (A panels should have 6 total holes, 2 on 3 of the sides) and then tightening the two (AA) bolts. Repeat this two more times for the B and C panels. Once the panels are in place, slide the (2) clear plastic H channels in between the A and B, as well as the B and C panels.

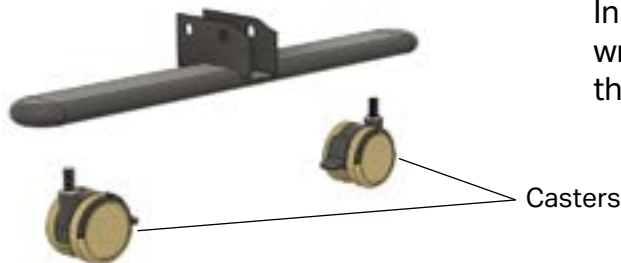
A - Has (6) holes and rounded corners.
 B - Has (4) holes and square corners.
 C - Has (4) holes and rounded corners.

2

Slide the remaing side frame onto the other side of the panels and fasten them together using the remaining 6 (AA) bolt sets.



3

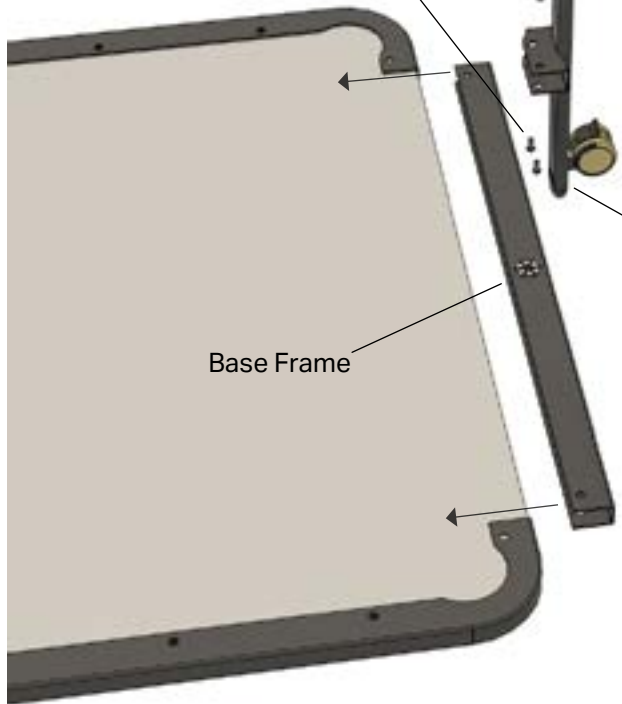


In prep for the final steps. Use the provided wrench to fasten two casters to each of the (2) base legs.



4

BB bolt set



Base Frame

Slide the base frame on to the panels and then slide the base legs over the frame. (There is a right and left leg so double check that the pieces are aligning correctly before fastening them together.)

Base Legs



Align the holes on the frame and leg pieces and fasten them together using the (BB) bolt sets.

Before use, check that all bolts are tight and secure. (If panels seem loose, re-check the tightness of each bolt set)





MARCO

Assembly Instructions
M001 - Classroom Divider

85315

6/26/24

