



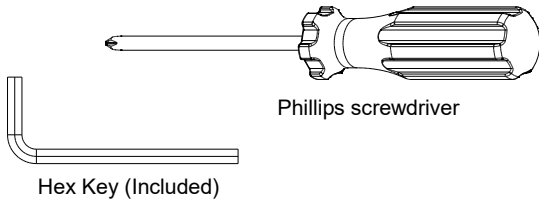
Assembly Instructions

37-1304L/R-31 Desk

85300

Rev 05/18/22

Tools required

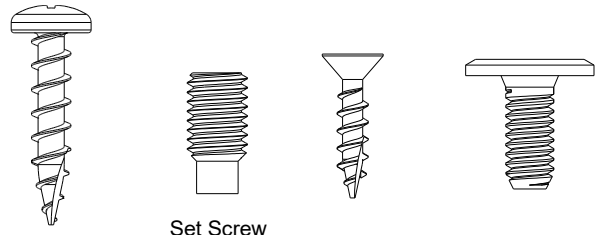


Phillips screwdriver

Hex Key (Included)

DO NOT USE POWER TOOLS

Hardware (Included)



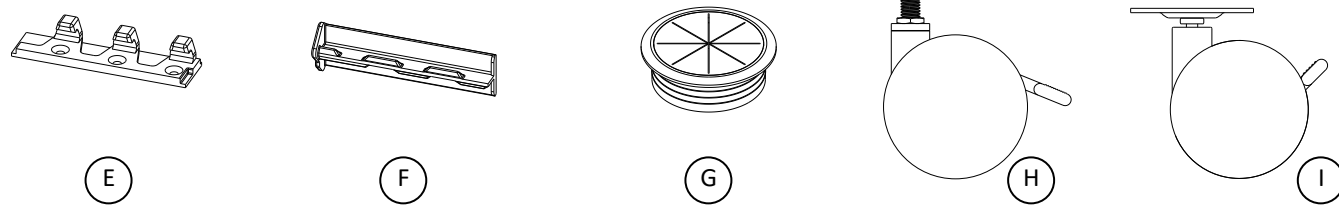
(A)

Set Screw

(B)

(C)

(D)



(E)

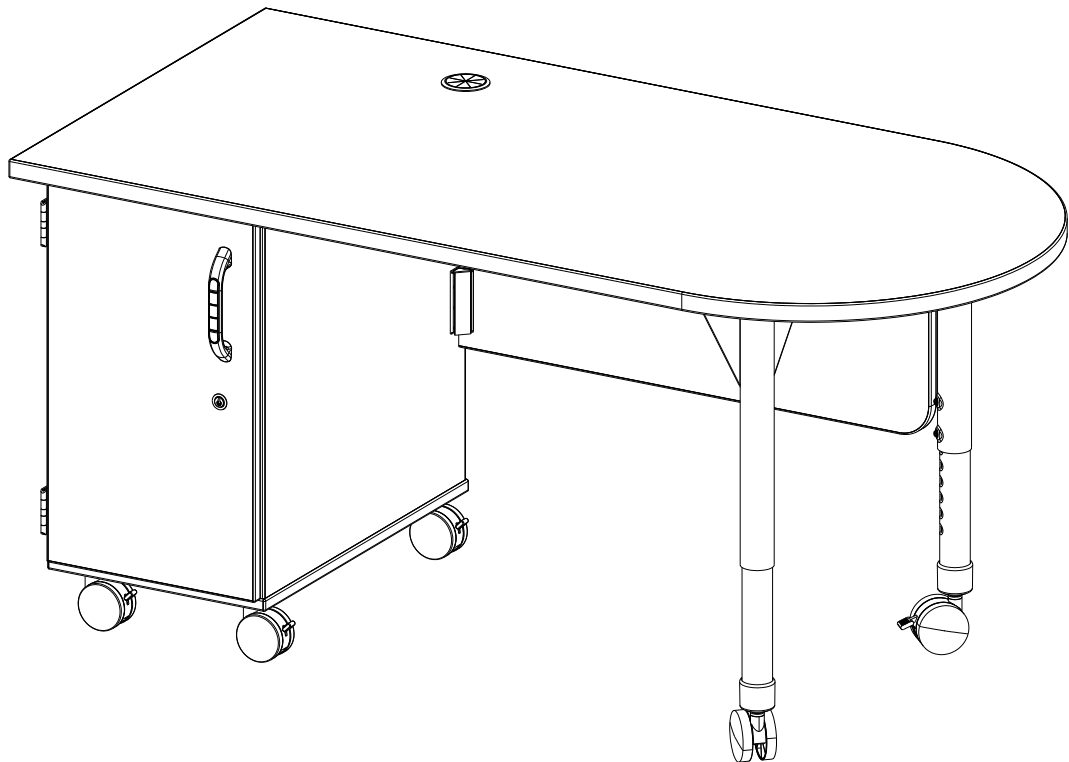
(F)

(G)

(H)

(I)

**LEFT SIDE CABINET MODEL SHOWN IN THIS MANUAL
BUILD RIGHT SIDE CABINET MODEL OPPOSITE**



Marco Group, Inc.
5400 Doniphan Dr.
Neosho, MO 64850
www.marcogroupinc.com

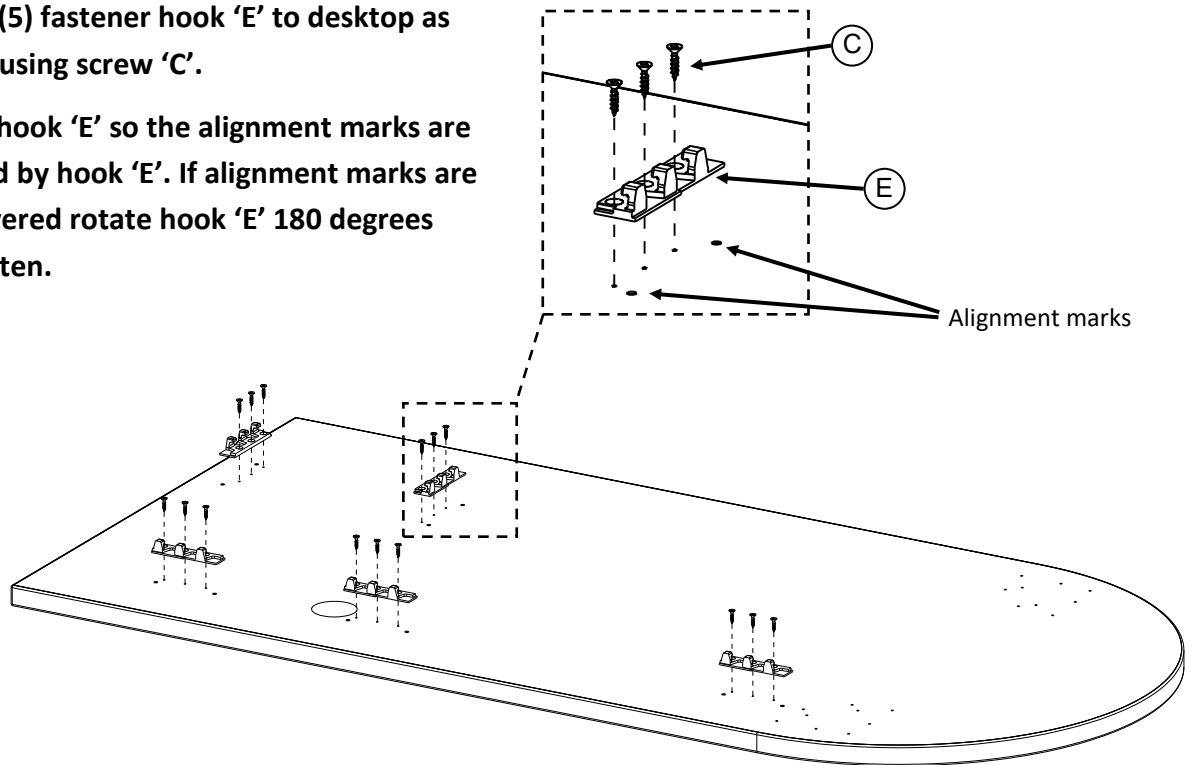
Customer Service Hours:
Monday-Friday 8:30am to 4:30pm CST
(Except holidays)
Toll-Free 888-627-2601
CustomerService@marcogroupinc.com

417-455-9663 - Phone
417-455-0057 - Fax

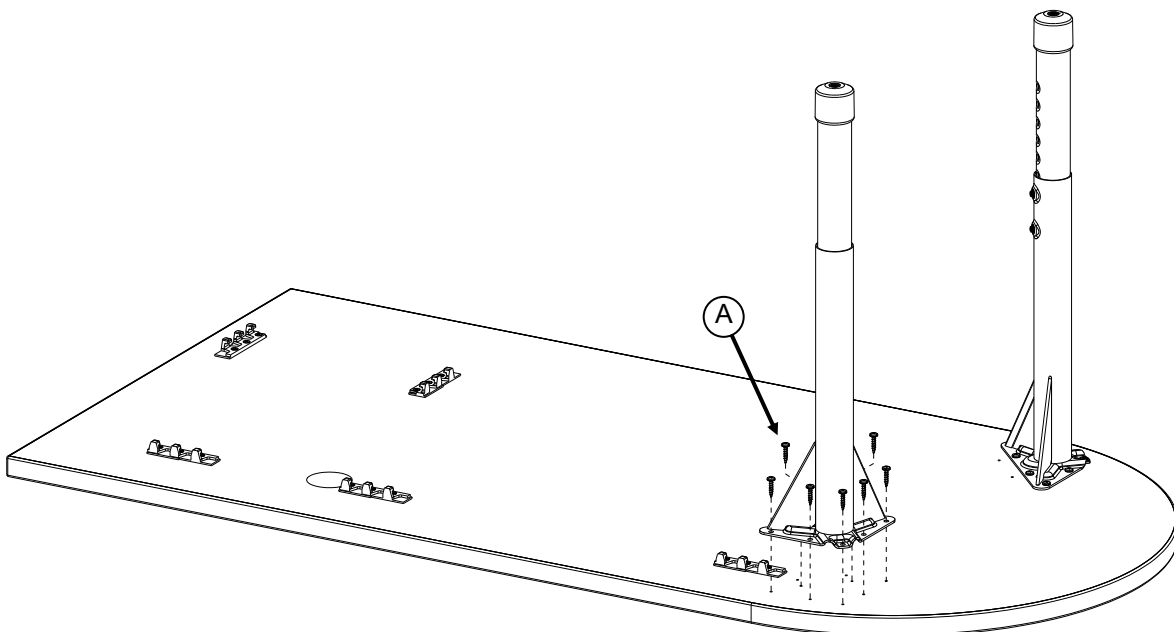
1

Attach (5) fastener hook 'E' to desktop as shown using screw 'C'.

Orient hook 'E' so the alignment marks are covered by hook 'E'. If alignment marks are not covered rotate hook 'E' 180 degrees and fasten.

**2**

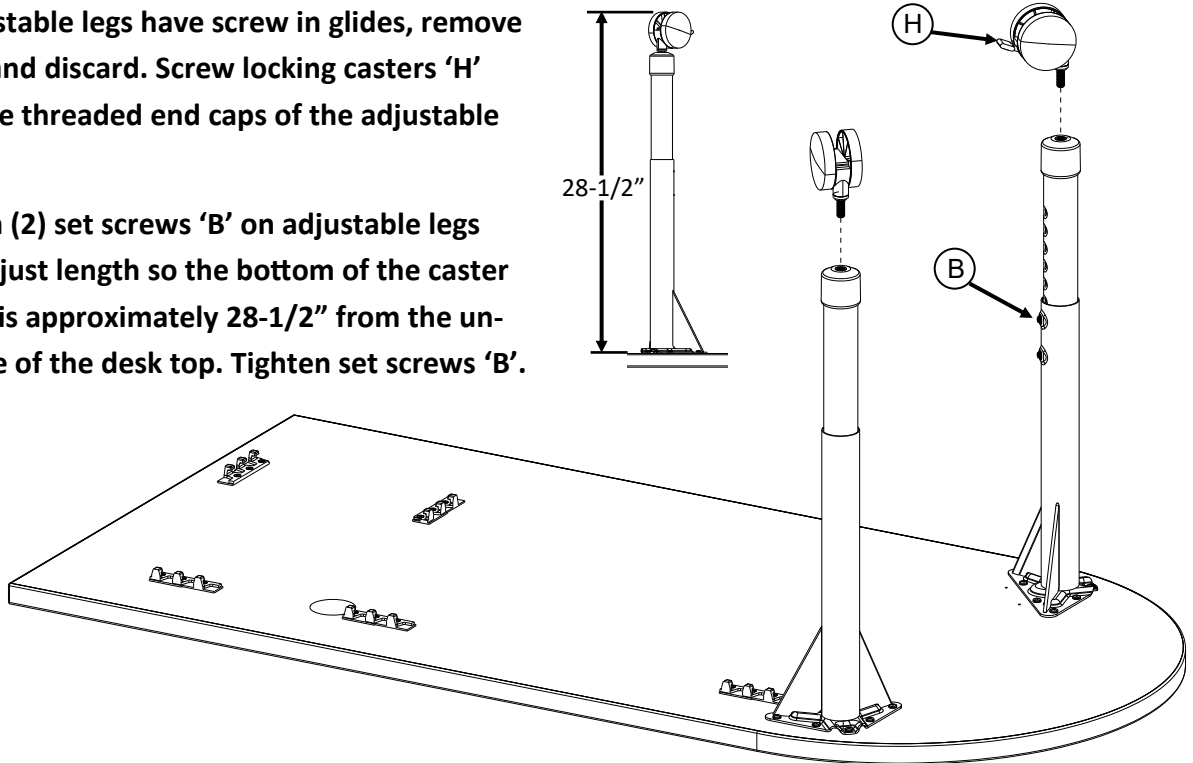
Attach two legs to desktop using screw 'A'.



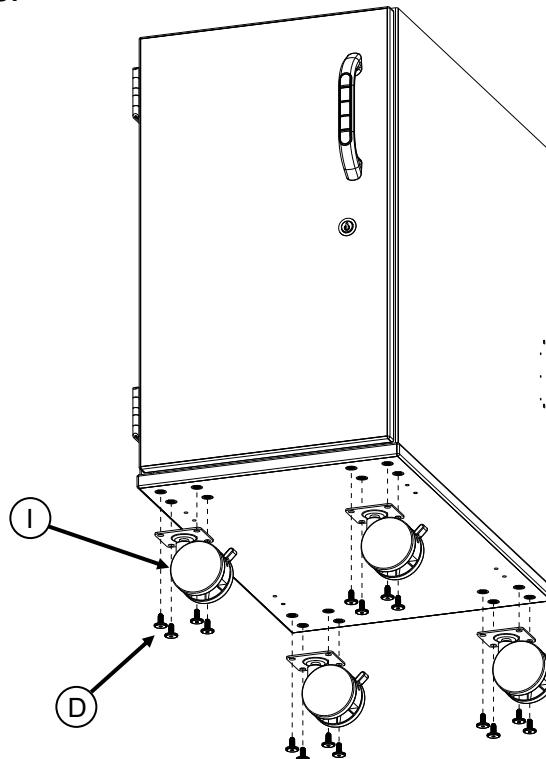
3

If adjustable legs have screw in glides, remove them and discard. Screw locking casters 'H' into the threaded end caps of the adjustable legs.

Loosen (2) set screws 'B' on adjustable legs and adjust length so the bottom of the caster wheel is approximately 28-1/2" from the underside of the desk top. Tighten set screws 'B'.

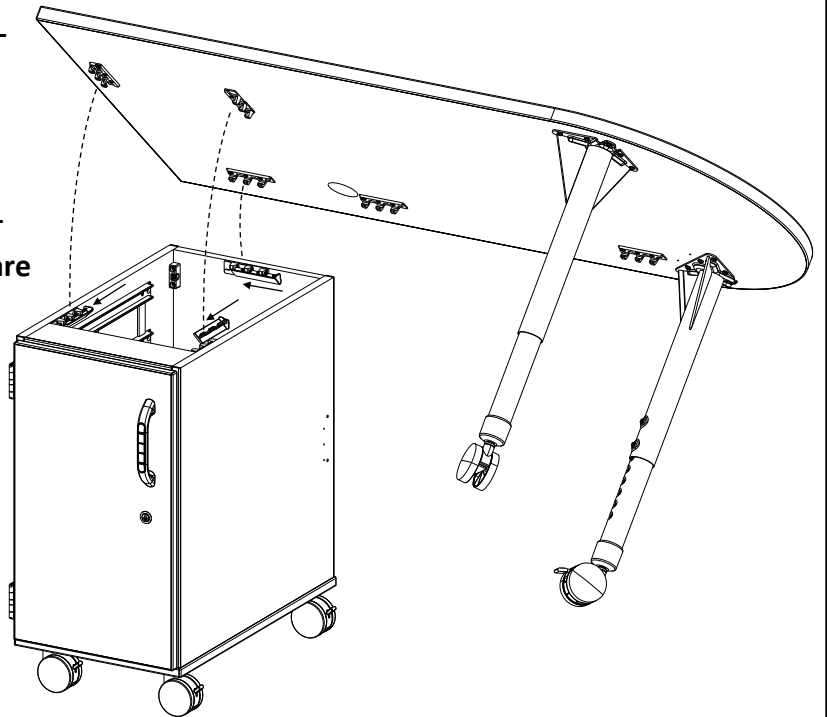
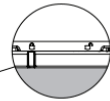
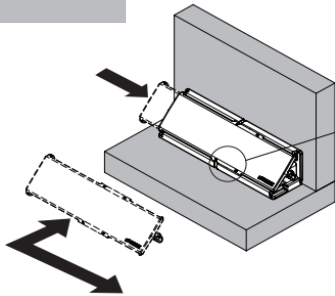
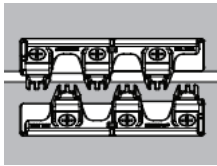
**4**

Attach (4) locking casters 'I' to bottom of cabinet using (4) bolts 'D'.



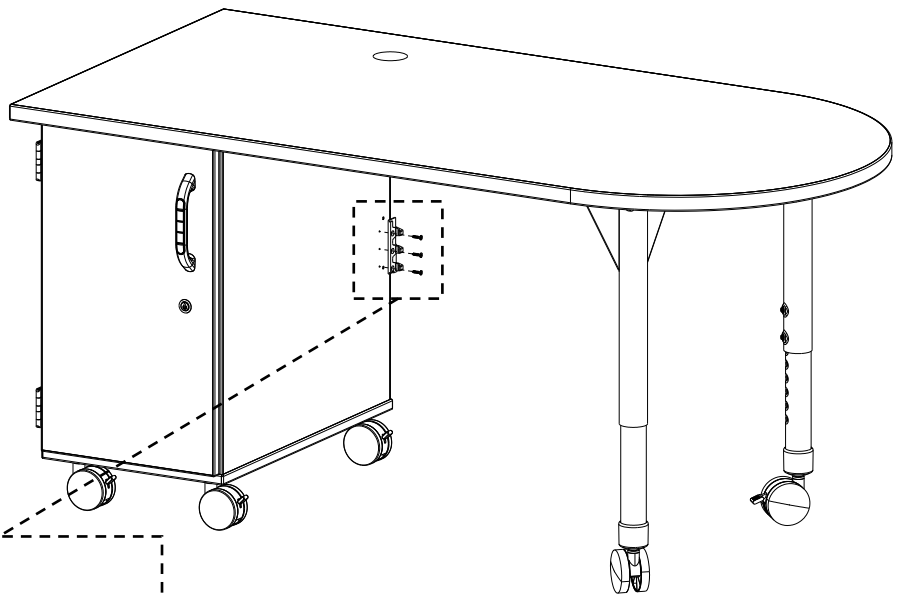
5

Attach desktop to side cabinet. Interlace fastener hooks 'E' and lock with fastener key 'F'. Seat key 'F' onto hooks 'E' and slide key until it locks together (approximately 1" of movement) and marks on key and hooks are aligned.


6

Attach fastener hook 'E' to cabinet side as shown using screw 'C'.

Orient hook 'E' so the alignment marks are covered by hook 'E'. If alignment marks are not covered rotate hook 'E' 180 degrees and fasten.



Alignment mark

(E)

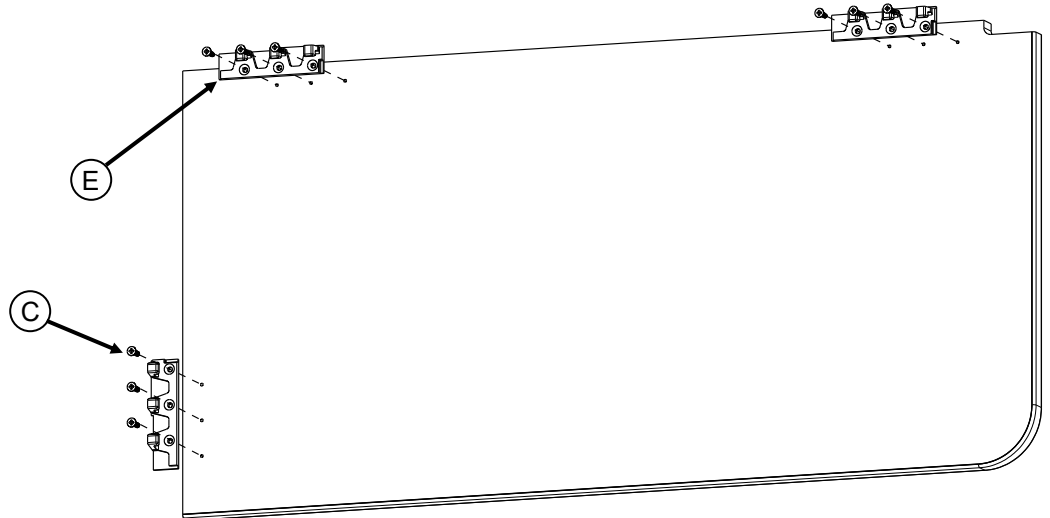
(C)

Alignment mark

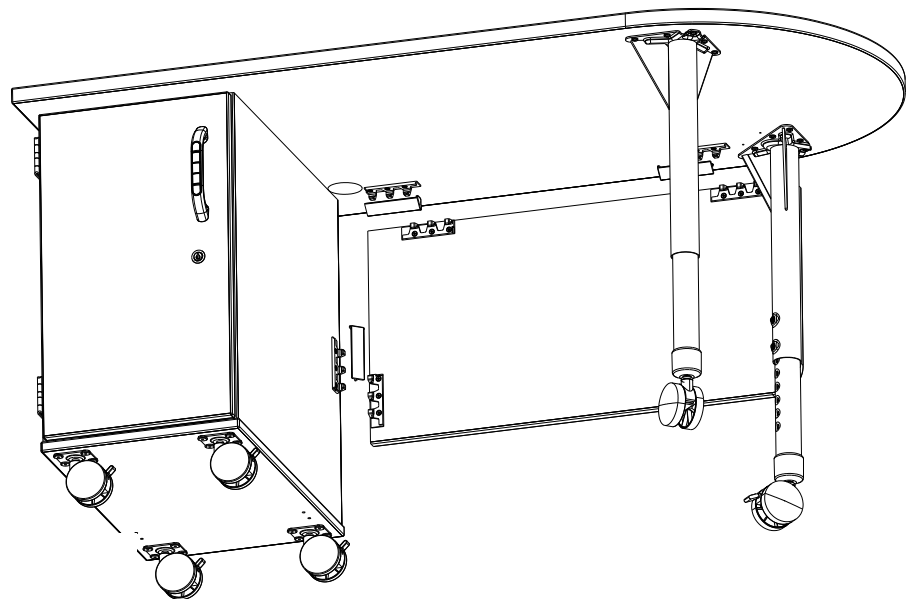
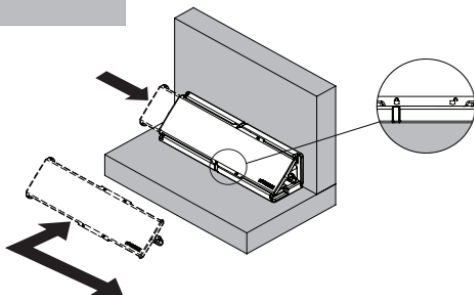
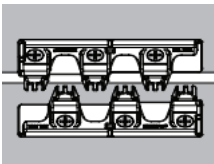
7

Attach (3) fastener hooks 'E' to front panel as shown using screw 'C'.

Orient hook 'E' so the of edge of the hook is even with the panel edge (hooks pointing inward).


8

Attach front panel to desktop and side cabinet. Interlace fastener hooks 'E' and lock with fastener key 'F'. Seat key 'F' onto hooks 'E' and slide key until it locks together (approximately 1" of movement) and marks on key and hooks are aligned.



9

Insert grommet 'G' into
hole on desktop.

