



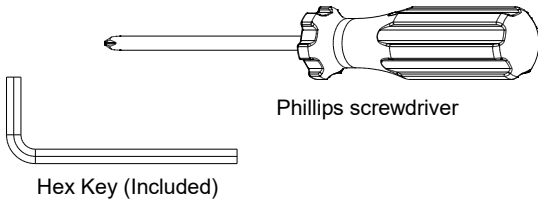
# Assembly Instructions

## 37-1305-31 Desk

85301

Rev 10/20/22

### Tools required



Phillips screwdriver

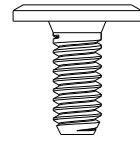
Hex Key (Included)

**DO NOT USE POWER TOOLS**

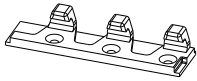
### Hardware (Included)



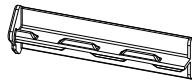
A



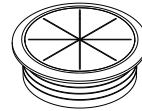
B



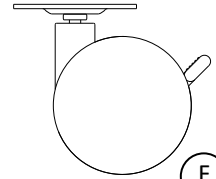
C



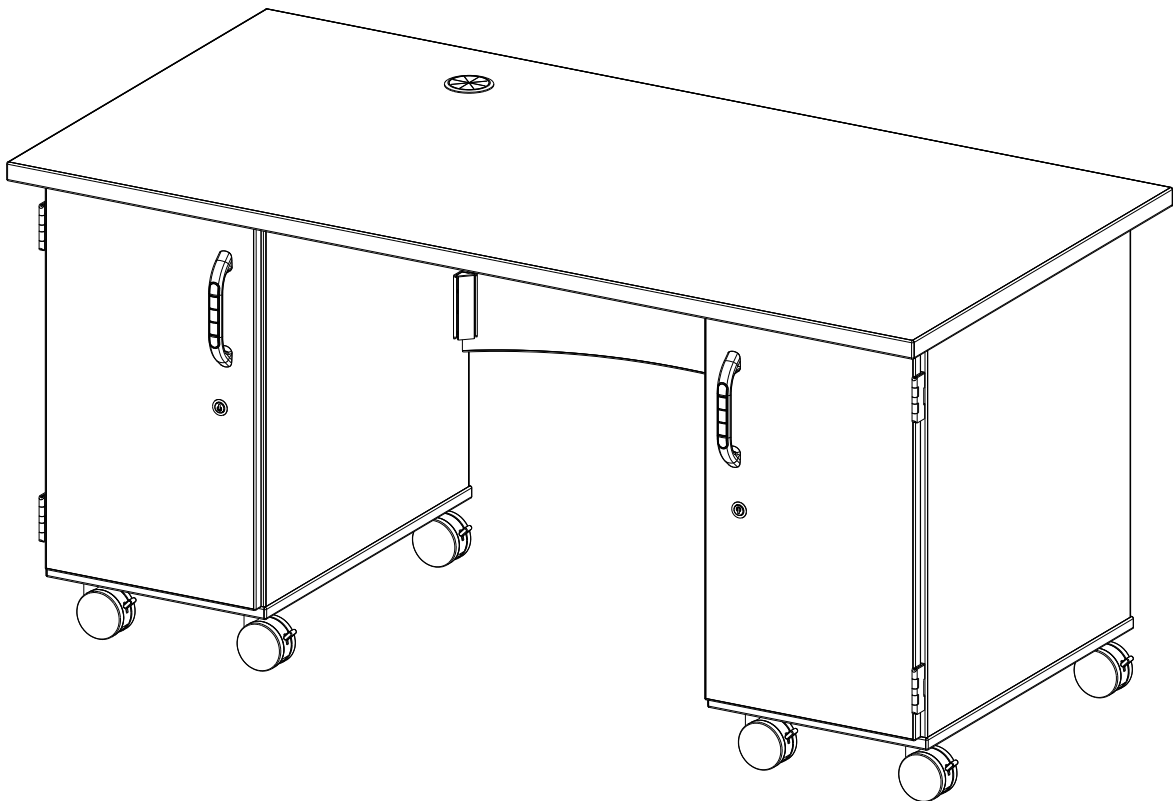
D



E



F



Marco Group, Inc.  
5400 Doniphan Dr.  
Neosho, MO 64850  
[www.marcogroupinc.com](http://www.marcogroupinc.com)

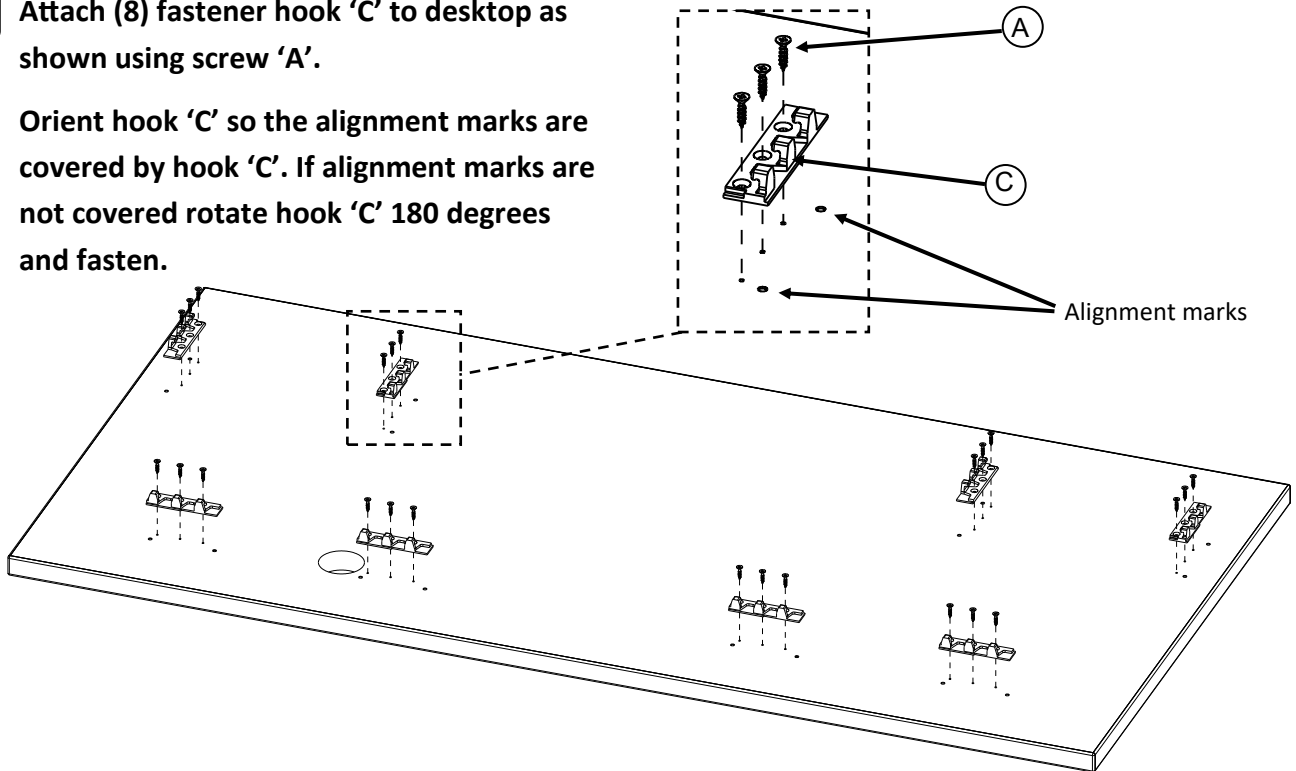
Customer Service Hours:  
Monday-Friday 8:30am to 4:30pm CST  
(Except holidays)  
Toll-Free 888-627-2601  
[CustomerService@marcogroupinc.com](mailto:CustomerService@marcogroupinc.com)

417-455-9663 - Phone  
417-455-0057 - Fax

**1**

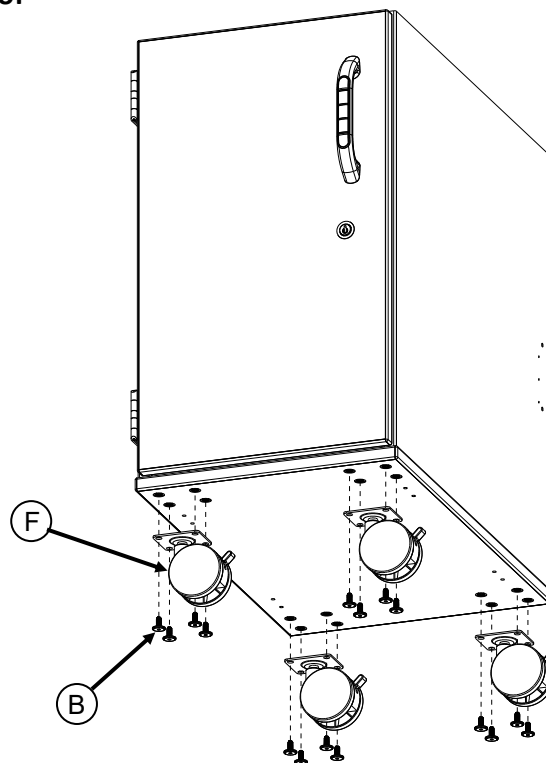
Attach (8) fastener hook 'C' to desktop as shown using screw 'A'.

Orient hook 'C' so the alignment marks are covered by hook 'C'. If alignment marks are not covered rotate hook 'C' 180 degrees and fasten.

**2**

Attach (4) locking casters 'F' to bottom of cabinet using (4) bolts 'B'.

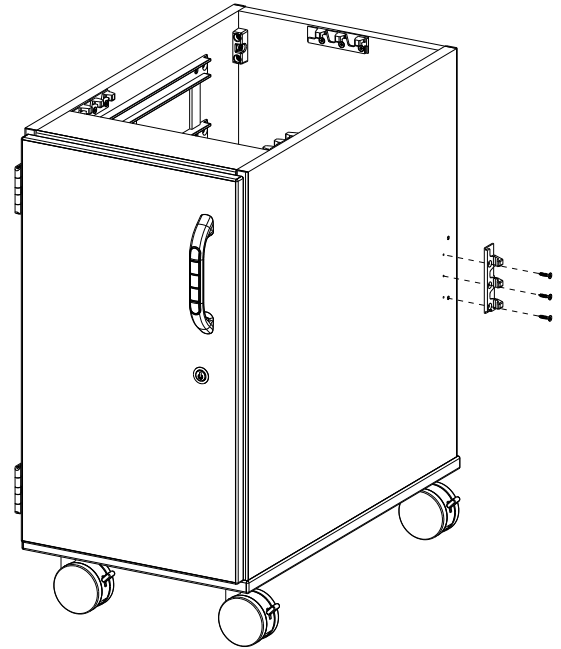
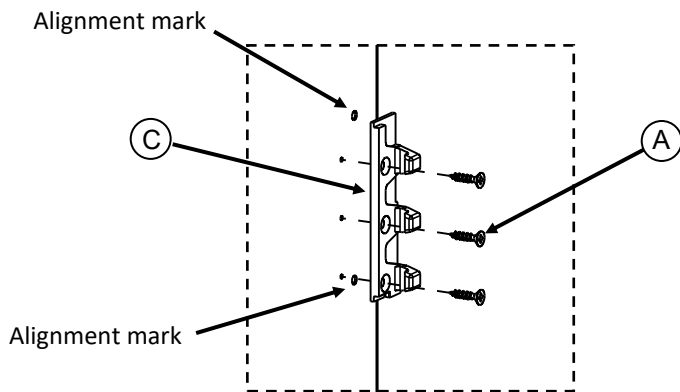
Left side cabinet shown  
Repeat for right side cabinet



**3**

Attach fastener hook 'C' to cabinet side as shown using screw 'A'.

Orient hook 'C' so the alignment marks are covered by hook 'C'. If alignment marks are not covered rotate hook 'C' 180 degrees and fasten.

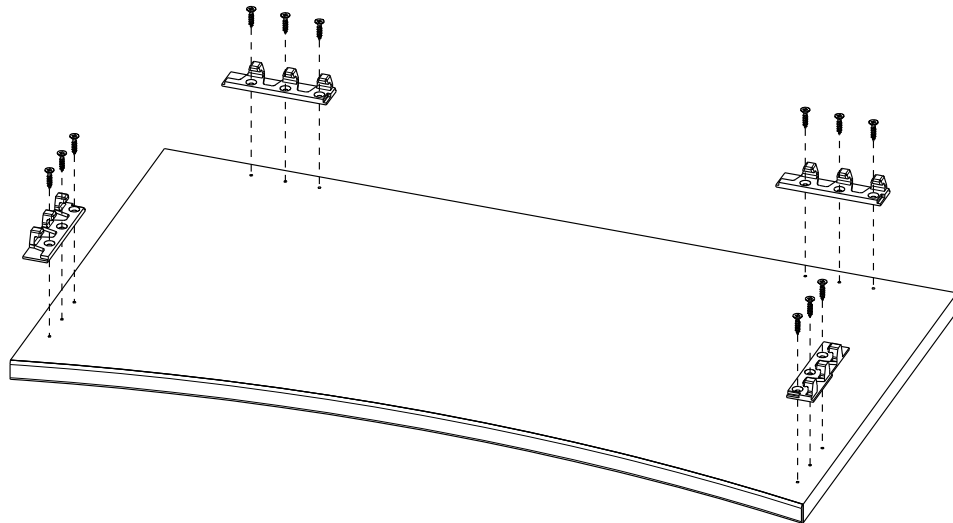


**Left side cabinet shown**  
**Repeat for right side cabinet**

**4**

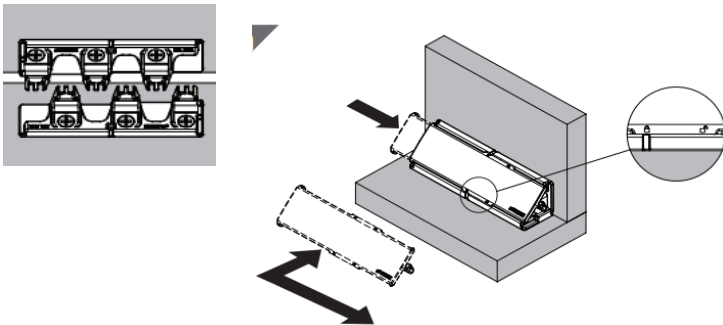
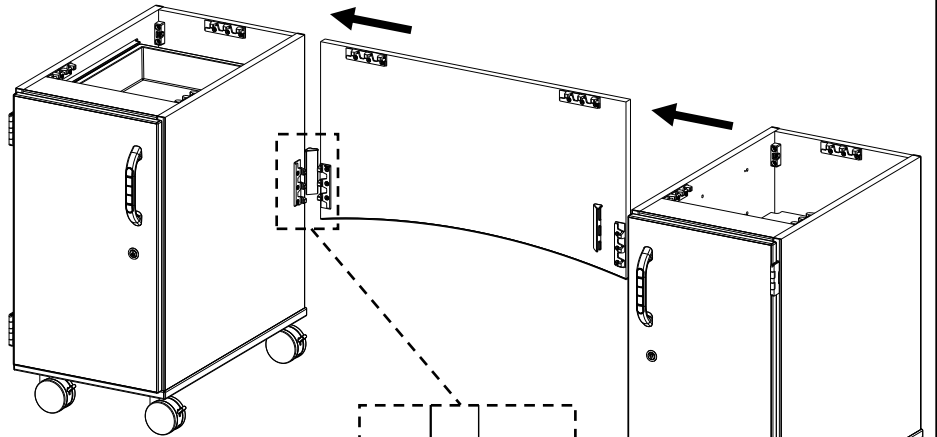
Attach (4) fastener hooks 'C' to front panel as shown using screw 'A'.

Orient hook 'C' so the edge of the hook is even with the panel edge (hooks pointing inward).



**5**

Attach front panel to cabinets. Interlace fastener hooks 'C' and lock with fastener key 'D'. Seat key 'D' onto hooks 'C' and slide key until it locks together (approximately 1" of movement) and marks on key and hooks are aligned.


**6**

Attach desktop to side cabinets and front panel. Interlace fastener hooks 'C' and lock with fastener key 'D'. Seat key 'D' onto hooks 'C' and slide key until it locks together (approximately 1" of movement) and marks on key and hooks are aligned. Insert grommet 'E' into hole on desktop.

